

ZENVIDA

Product name: Zenvida Accent Chair
SKU: 245-ACCNTCHR1
EMAIL: priority@zenvidahome.com
TEL: 855-349-4327
<http://bit.ly/ZENVIDA>



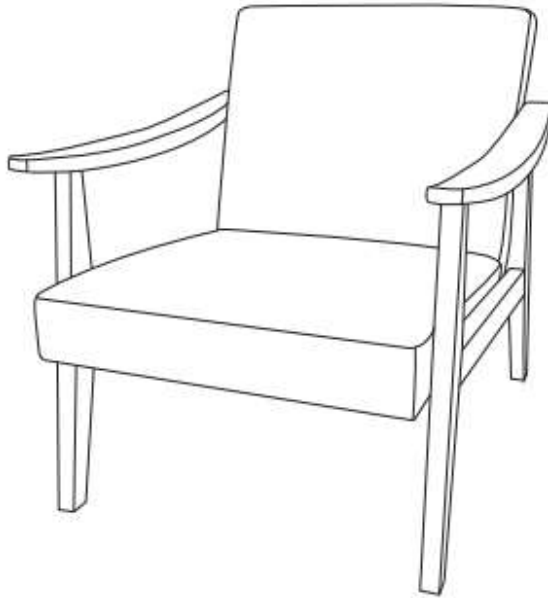
Reaching out via product review, marketplace email, social media or leaving seller feedback may cause a delay in response. If you have questions about this product or need anything, please contact us. You are our priority!

*****WARNING*****

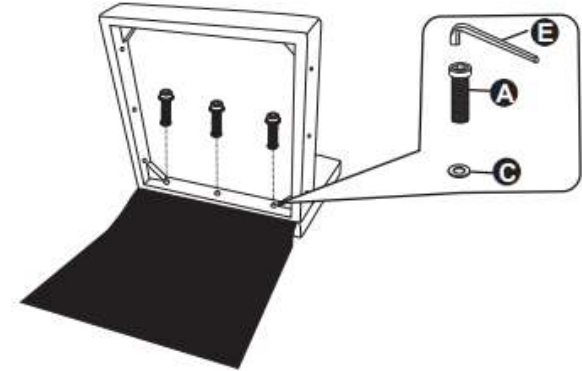
Power tools may strip bolts or screws. Hand tighten bolts to only about 75% tight. Do NOT completely tighten any bolt during assembly until all bolts are connected.

ZENVIDA

Product name: Zenvida Accent Chair
 SKU: 245-ACCNTCHR1
 EMAIL: priority@zenvidahome.com
 TEL: 855-349-4327
<http://bit.ly/ZENVIDA>

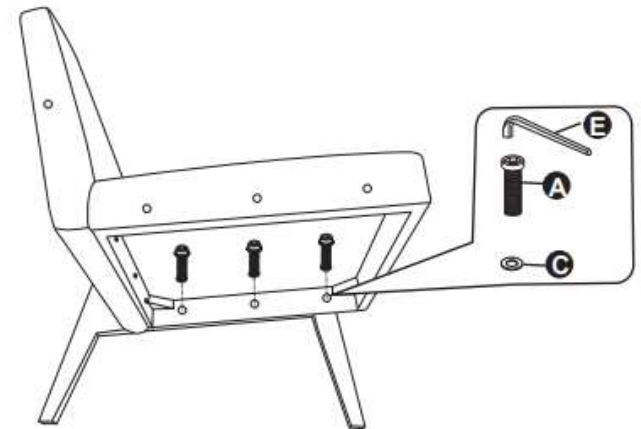


1







Put the screws in the holes, tight the screws, but not too tight, 90% is ok.

2

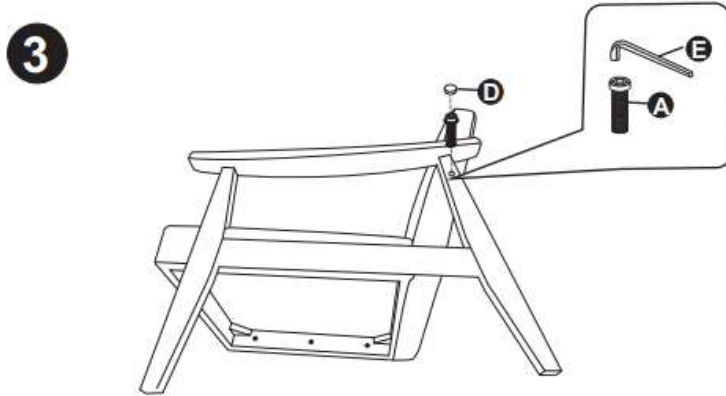


Put the screws in the holes, tight the screws, but not too tight, 90% is ok.

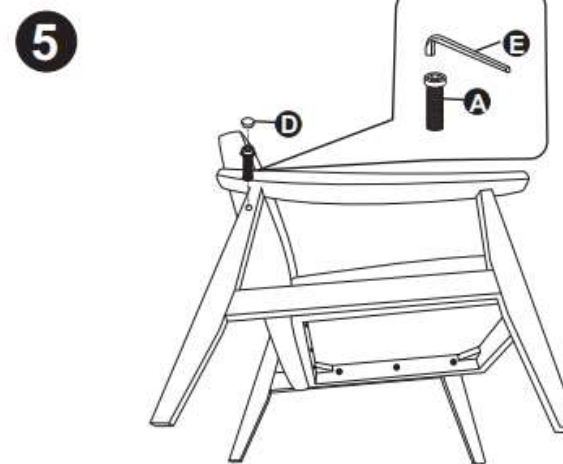
HARDWARE LIST	CODE	PARTS	QTY.
	A	M8x45MM 	11
	C		9
	D		2
	E	ALLEN KEY 	1

ZENVIDA

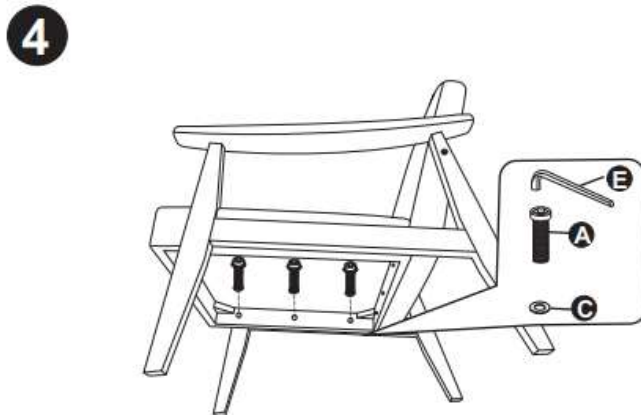
Product name: Zenvida Accent Chair
SKU: 245-ACCNTCHR1
EMAIL: priority@zenvidahome.com
TEL: 855-349-4327
<http://bit.ly/ZENVIDA>



Put the screws in the holes, tight the screws, but not too tight, 90% is ok.



Put the screws in the holes, tight the screws, but not too tight, 90% is ok.



Put the screws in the holes, tight the screws, but not too tight, 90% is ok.



Tight all the screws to 100%
Stick the black part on the seat