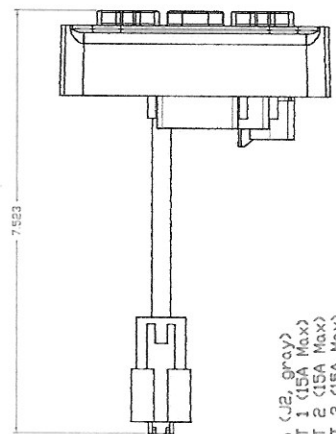
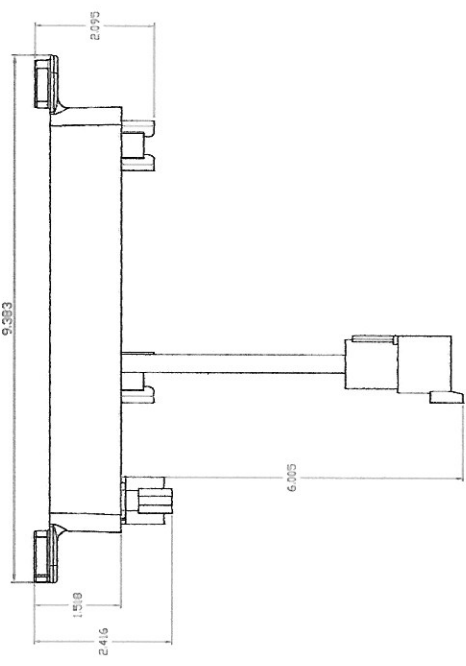


MATING CONNECTORS:
 J2: DT06-12SA SHELL/HOUSING
 0462-201-16141 SOCKETS (12)
 W12S WEDGELOCK
 J3: DT06-12SB SHELL/HOUSING
 0462-201-16141 SOCKETS (12)
 W12S WEDGELOCK
 J4: DTHD06-1-4S SHELL/HOUSING
 0462-203-04141 SOCKET (1)
 J13: DT06-3S SHELL/HOUSING
 0462-203-04141 SOCKET (3)
 W3S-J1939 WEDGELOCK

NOTE: ALL PART NUMBERS ARE DEUTSCH PART NUMBERS. NUMBER OF CONTACTS NEEDED ARE IN PARENTHESIS.

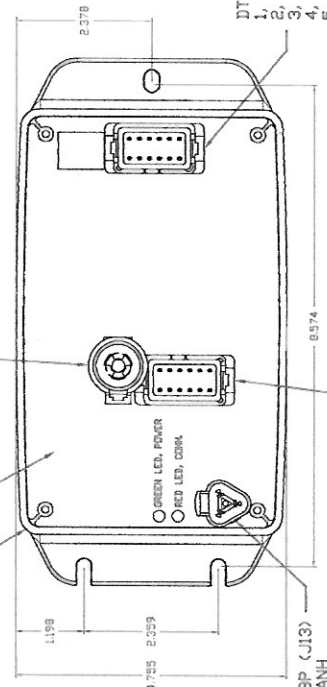


DTF15-12PA (J2, Gray)
 1, 12 = OUT 1 (15A Max)
 2, 11 = OUT 2 (15A Max)
 3, 10 = OUT 3 (15A Max)
 4, 9 = OUT 4 (15A Max)
 5, 8 = OUT 5 (15A Max)
 6, 7 = OUT 6 (15A Max)



DTHD04-1-4P (J4)
 Single Pin to Power In (0-36VDC), 100A Max.

Black Urethane Potting (Glass)
 Polypropylene Black Plastic Box



DT04-3P (J13)
 A = CANH
 B = CANL
 C = SHIELD (connected to ground internally)

DTF15-12PB (J3, black)
 1, 12 = OUT 7 (15A Max)
 2, 11 = OUT 8 (15A Max)
 3, 4 = Ground In (Logic Ground, clamp ground inductive load)
 5 = ADDR0 (LSb)
 6 = ADDR1
 7 = ADDR2
 8 = ADDR3 (MSb)
 9 = OUT 10 (8A Max)
 10 = OUT 9 (8A Max)

NOTE: - INCHES
 UNITS - MILLIMETERS
 TOLERANCE - ±0.03

| | | | | | | | | | | |
|--|-------------|-----------|-------------|---------|--------------------------|-----------------|--------------|--------|---------------|-----------|
| THIS DRAWING IS A CONFIDENTIAL PROPERTY OF DEUTSCH ELECTRONIC CORPORATION. NO PARTS OR INFORMATION HEREON MAY BE REPRODUCED OR TRANSMITTED IN ANY FORM OR BY ANY MEANS WITHOUT THE PRIOR WRITTEN PERMISSION OF DEUTSCH ELECTRONIC CORPORATION. | DATE | 4/29/2014 | ASSSEMBLY | 58-0020 | EDP PART NO. / PROCEDURE | 58-0020 | DRAWING REV. | B | RELEASED DATE | 6/29/2017 |
| | DESIGNED BY | MDW | MODIFIED BY | TJD | DATE | 6/29/2017 | SCALE | 1:1 | PAPER SIZE | D |
| TITL NAME | | | | | | ASM_58-0020_001 | | 1 OF 1 | | |