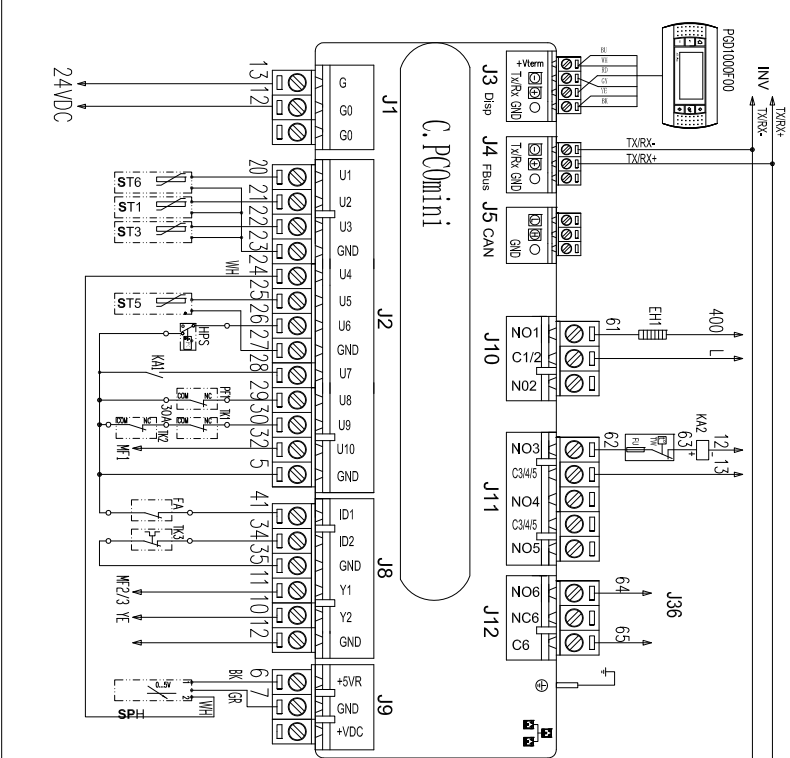


1

2

B

B

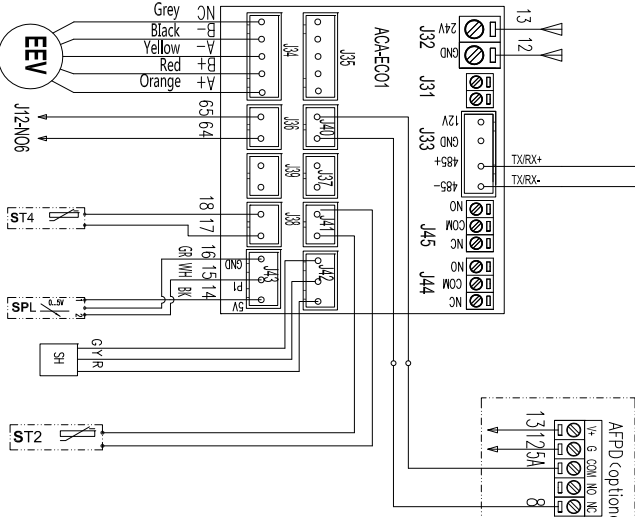


1

2

Wiring Diagram

Models
15V174NR410AAC



A

A

PART#: 1170105440

SN: V01

17	EH-3	Electric heaters (opt.fan)	34	FA	Fire/Smoke Alarm
18	EH	Condense heater	35	DC	Reactor
19	FU	Thermal fuse for heating	36	S16	Condenser temperature
20	FW	Temperature switch for heating	37	S15	Evaporator temperature
21	YE	Air damper actuator	38	S14	Stator temperature
22	CCO/WH	Controller	39	S13	Outdoor temperature
23	AFPD	Dust sensor (optional)	40	S12	Supply temperature
24	TK1/TK2	Evaporator fan overload	41	ST1	Indoor temperature
25	PE1	Air pressure differential switch	42	NAV	Compressor drive inverter
26	K4-K5	Electronic expansion valve actuator	43	MC	Compressor
27	EEV	Electronic expansion valve	44	HPS	High pressure switch
28	SH	Outdoor fan	45	WZ1/W2	Evaporator fan supply fan
29	TC	Transformer	46	ME1	Condenser fan
30	UG	Switch power supply	47	CL	Capacitor for condenser fan
31	W1	Electric heaters AC connector	48	SPH	Condenser fan overload
32	KA	Auxiliary relay	49	SPL	High Pressure Transduce
33	QF	Breaker	50	SI	Low pressure sensor
34	Sign	Description	51	Index	Sign Description