

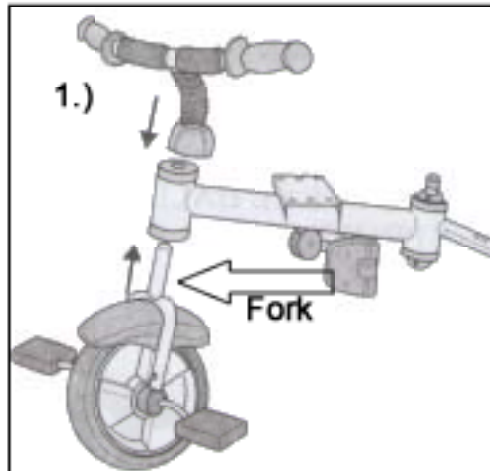
! WARNING

Adult supervision required at all times

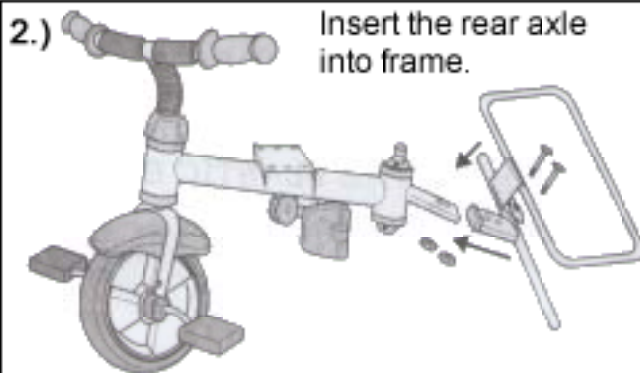
Failure to follow these warnings and the assembly instructions could result in serious injury or death.

- Only use Vilano 3 in 1 Tricycle on flat and even surfaces with no obstacles. Never use near steps, sloped driveways, motor vehicles, hills, swimming pool and water areas, public roads, or areas where traffic and other hazards to your child could exist. Ensure child is supervised while using this at all times.

Assembly Instructions

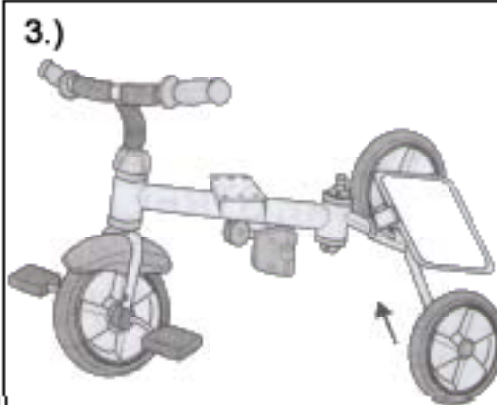


- a. Affix fender to fork with small screw. NOTE: will strip plastic if over-tightened.
- b. Place front wheel on fork and tighten screws and nuts.
- c. Insert fork through head tube. Place handlebars on top of fork and tighten clamp.



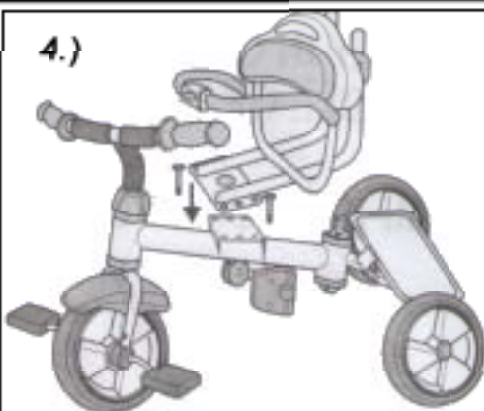
2.) Insert the rear axle into frame.

Place rear basket support onto frame and tighten screws.

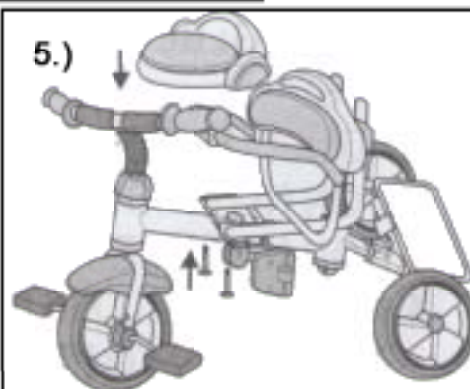


3.)

Add rear wheels to rear axle.



4.) Place seat support on frame, tighten screws. Insert padded restraint bars onto seat support. Place seat back onto seat support, carefully tighten screws & avoid stripping the plastic.



5.)

Place seat on seat support, tighten screws.

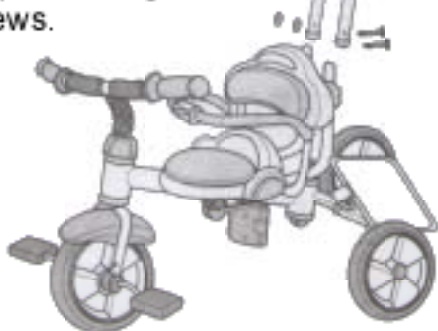
For More Information

If you have any questions or comments about this product, or are missing any of the parts, please contact Vilano Bikes Warranty
904.425.1366
warranty@vilanobikes.com

Assembly Instructions - IMPORTANT Please read

Please be careful when threading metal screws to avoid stripping plastic threads.
Please ensure all bolts are tight and test stability before use.

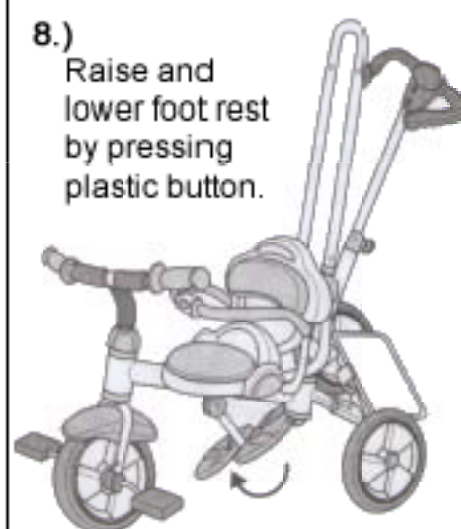
- 6.) Place triangular bracket onto frame behind the seat back, then insert canopy support and tighten screws.



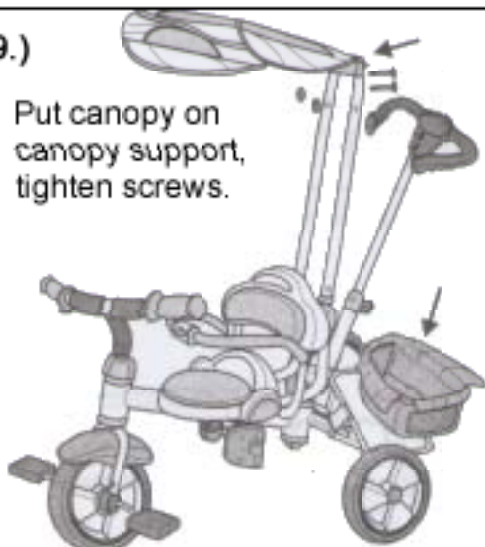
- 7.) Assemble the push bar/handle, then insert into frame tube.



- 8.) Raise and lower foot rest by pressing plastic button.



- 9.) Put canopy on canopy support, tighten screws.



Put cargo basket on rear axle, tighten screws. Now it is ready to go!

! WARNING

Adult supervision required at all times

- Make sure your child wears sturdy closed toe shoes, a properly adjusted helmet, and any other safety gear (for example, reflective clothing)
- Never allow more than one rider at a time
- When using the Vilano 3 in 1 as a stroller, be sure child is large enough to straddle seat, able to place feet on foot rests and unable to slip through padded restraint bars
- Be sure the child is physically able to control the tricycle, and can slow down and stop
- Before each ride, check this product for damaged, loose fitting, or missing parts. Make sure that all screws are properly tightened and that the components are fastened. DO NOT use this product if any parts are missing, damaged, cracked, broken, or look potentially faulty

- Contact VilanoBikes.com to provide warranty for missing parts, questions, or concerns
- The unassembled bike and shipping box contain small parts and plastic bags that are a choking hazard. Keep them out of reach of children
- For ages: 1-4 years old. Ensure child is unable to slide under safety bar
- Maximum rider and cargo weight: 50 lbs
- When stroller is occupied, avoid tipping
- Keep these instructions for future reference

Conforms to: ANSI.Z315.1, ASTM.F963, EN71-1, EN71-2, EN71-3

VilanoBikes.com

904.425.1366

warranty@vilanobikes.com

Copyright Venditio Group, LLC

Assembly Reference:

