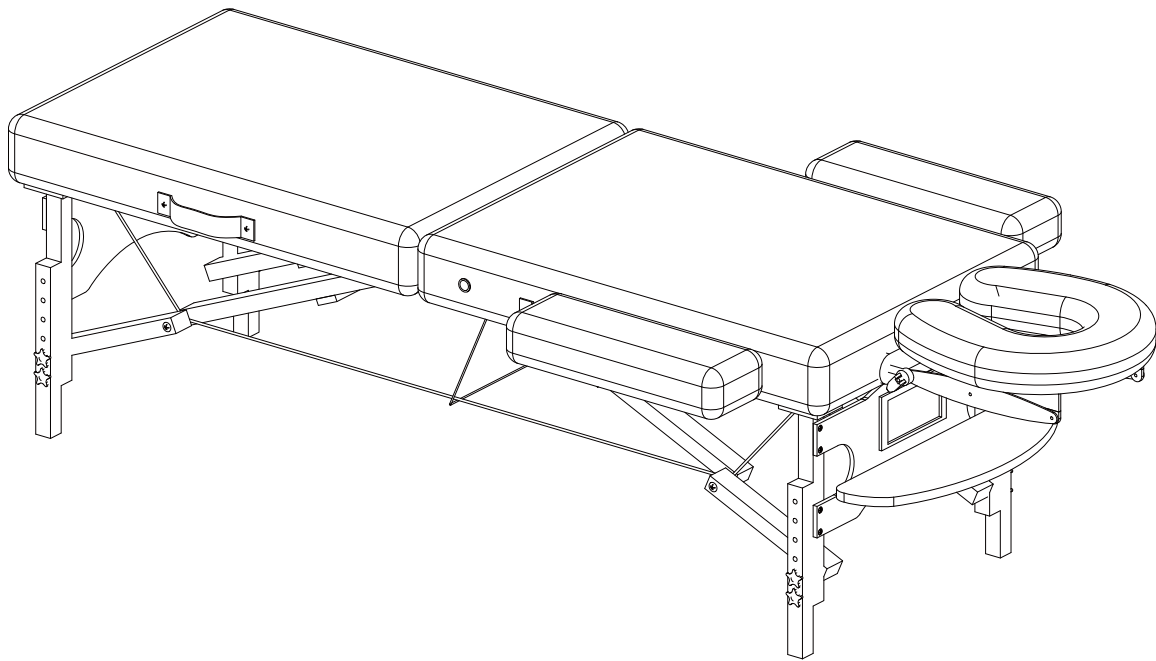


OWNER'S MANUAL



FAR INFRARED HEAT THERAPY MASSAGE TABLE



Model # 9211

The specifications of this product may vary from this photo and are subject to change without notice.
IRONMAN, IRONMAN TRIATHLON AND M-DOT are registered trademarks of World Triathlon Corporation.
This product is licensed by the IRONMAN TRIATHLON.

TABLE OF CONTENTS

	<i>Page #</i>
Warning label placement	3
<hr/>	
Service	4
<hr/>	
Safety precautions	5
<hr/>	
Electrical Safety	6
<hr/>	
Overview drawing	7
<hr/>	
Part list	8
<hr/>	
Assembly	9
<hr/>	
Adjustment	12
<hr/>	
Remote control and controller operation	13
<hr/>	
Storage	15
<hr/>	
Maintenance instructions	15
<hr/>	
Warranty	16
<hr/>	
Part request fax form	17

SERVICE

To request product service and order replacement parts, please call our customer service department at

1-866-924-1688

Monday through Friday, 8:00 am-5:00 pm Pacific Standard Time,
or email at: **service@paradigmhw.com**

Please have the following information ready when requesting for service:

Your name	Phone number	Owner's manual
Model number	Serial number	Part number
Date of Purchase		

***If the product has major defects which prevent it from functioning properly, please return it to the store of purchase within the period allowed by the store.**

Paradigm Health & Wellness, Inc.
1189 Jellick Ave.
City of Industry, CA 91748

SAFETY PRECAUTIONS

- (1) Maintain the table periodically. Make sure all screws are secure and the cable has not deteriorated or frayed. Make sure there are no cracks in the wood structure.
- (2) Do not overload the table beyond the recommended weight limit. This could result in serious injury to the user.
- (3) Do not use alcohol based cleaners when cleaning the vinyl. This could cause damage to the vinyl material. Use warm soapy water and wipe dry.
- (4) Make sure when using the table that all four legs are at the same level. Using the legs at different levels can cause the table to be unstable and cause injury.
- (5) Maximum weight capacity- static weight: 2000 lbs/909 kgs
working weight: 500 lbs/227 kgs

ELECTRICAL SAFETY

When using the Infrared Heat Therapy Massage Table, basic precautions should always be followed, including the following:

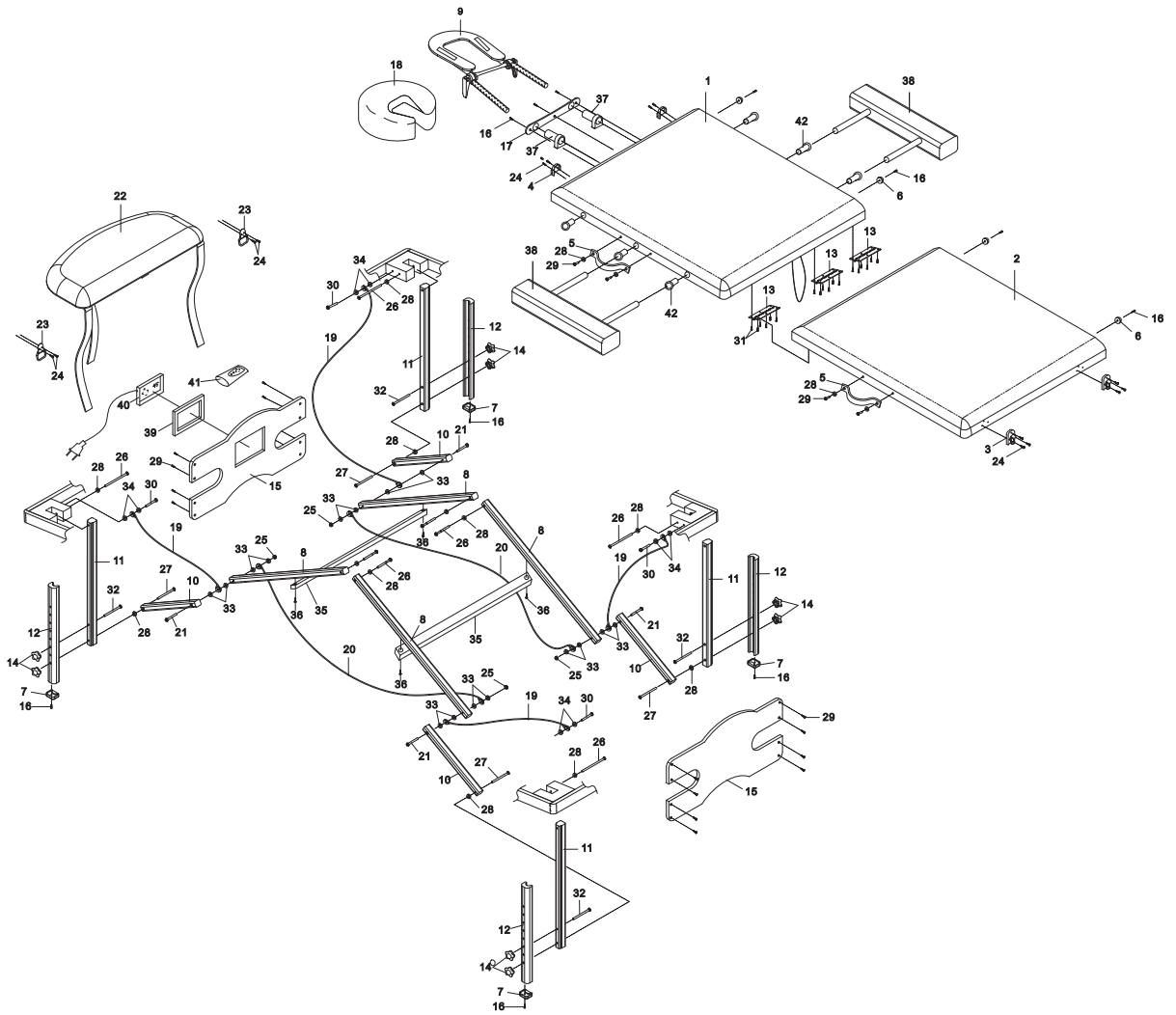
Read all instructions before using this unit.

DANGER - To reduce the risk of electric shock:

WARNING - To reduce the risk of burns, fire, electric shock, or injury to persons:

1. The massage table should never be left unattended when plugged in. Unplug from outlet when not in use and before putting on or cleaning.
2. Excessive heating can occur and cause fire, electric shock, or injury to persons.
3. Close supervision is necessary when this unit is used by, on, or near children, invalids or disabled persons.
4. Use this unit only for its intended use as described in this manual. Do not use attachments not recommended by the manufacturer.
5. Never operate this unit if it has a damaged cord or plug. If it is not working properly, if it has been dropped or damaged, or dropped into water.
6. Do not allow water to directly contact any part of the massage table.
7. Do not operate the massage table in a wet or moist environment and keep dry.
8. Do not pull the massage table by the electrical cord.
9. Keep the cord away from any heated surface.
10. For indoors household use only. Do not use outdoors.
11. Do not operate where aerosol (spray) products are being used or where oxygen is being administered.
12. To disconnect, turn the remote control or controller to the "OFF" position, then remove plug from outlet.
13. Do not use on an infant or on a sleeping person.

OVERVIEW DRAWING



PART LIST

Part#	Description	Quan.	Part#	Description	Quan.
001	Front Bed with Frame	1	022	Armrest	1
002	Rear Bed with Frame	1	023	Armrest Loop	2
003	Upper Buckle	2	024	M3x20mm Round Head Self Tapping Screw	14
004	Lower Buckle	2	025	M6 Nylon Nut	4
005	Handle	2	026	M6x75mm Bolt	8
006	Rubber Foot	4	027	M6x75mm Self Tapping Bolt	4
007	Lower Leg End Cap	4	028	Plastic Washer Ø18xØ6x2t	16
008	Long Brace	4	029	M4x18mm Mod. Truss Head Screw	20
009	U Shaped Headrest	1	030	M6x30mm Bolt	4
010	Short Brace	4	031	M4x20mm Self Tapping Screw	18
011	Upper Leg	4	032	M6x50mm Self Tapping Bolt	4
012	Lower Leg	4	033	Plastic Washer Ø13xØ6x2t	16
013	Hinge	3	034	Plastic Washer Ø15xØ6x4t	8
014	Leg Knob	8	035	Cross Brace	2
015	End Panel	2	036	M4x20mm Self Tapping Bolt	4
016	M4x20mm Round Head Self Tapping Screw	11	037	Bushing	2
017	Headrest Bushing Plate	1	038	Side Armrest	2
018	Face Cushion	1	039	Controller Panel Frame	1
019	Short Cable	4	040	Controller Panel	1
020	Long Cable	2	041	Remote Control	1
021	M6x65mm Self Tapping Bolt	4	042	Side Armrest Bushing	6

ASSEMBLY

1

Release the Buckles and then open the table so that it is standing on the side with the Rubber Feet. Take out the Face Cushion, U Shaped Headrest, Armrest, and Side Armrests from underneath of the table.



2

Pull out the left and right pair of Legs and straighten each joint.



3

Lift the table up until all four legs are on the floor.



ASSEMBLY

4

Lift one end of the table and pull out to open table fully.



5

Insert both Right/Left Headrest Sticks with Headrest into the holes of the Headrest Bushing Plate.



6

Attach armrest corner straps onto Armrest Loops underneath the Front Bed.



ASSEMBLY

7

Attach front strap to the U Shaped Headrest.



8

Place the Face Cushion onto the U Shaped Headrest by lining up the Velcro pads.

WARNING: HEADREST IS FOR LIGHT USE ONLY! PLEASE DO NOT PLACE HEAVY WEIGHT OR STRONG PRESSURE WHEN RESTING.



9

Insert both sticks of the Side Armrest into the holes of the Side Armrest Bushings. Repeat above step to assemble the other Side Armrest into the holes of the Side Armrest Bushings on the other side of the Front Bed.



ADJUSTMENT

Adjusting the angle of the Headrest

Press up on the Locking Handles and then adjust the Headrest to the desired angle. Press down on the Locking Handles after adjustment to lock into place.



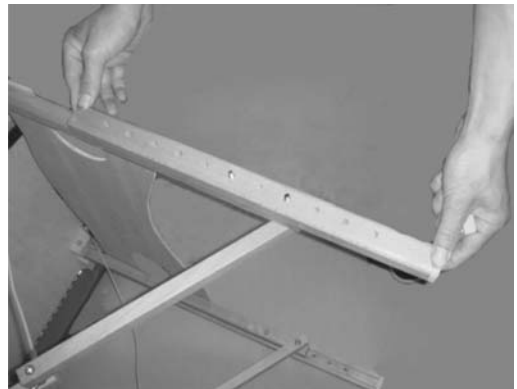
ADJUSTMENT

Adjusting the Table Height

Lay the table on the Rubber Footed side and then remove the Leg Knobs.



Remove the Lower Leg and then place the Lower Leg back onto the Upper Leg matched up to the desired holes for adjusting the height of the table.



Tighten the Leg Knobs after adjustment.

NOTE: Adjust all of the four Legs to the same height.



REMOTE CONTROL AND CONTROLLER OPERATION

1. By default setting, when turned on, the temperature is set to 140 degrees F (60 degrees C), and timer is set to 59 minutes. This will ensure the massage table heats up as quickly as possible.
Adjust the temperature down to your desire setting after preheat.
2. The normal preheat time is 15-20 minutes, under room temperature at 68-77degrees F (20-25 degrees C).
3. Both Remote Control and Controller can be used to set desired temperature and time.
4. The LED on the Controller reads out the current temperature and remaining time.
5. The Remote Control will function either aiming directly to the Controller or to the wall/ceiling in the room when using the table.

Precautions

Plug must be plugged into an appropriate outlet that is properly installed. Improper connection can result in the risk of electric hazard.

A typical indoor extension cord may used to reach a desired electrical outlet.

Set the temperature and time to a comfortable level.

Operation

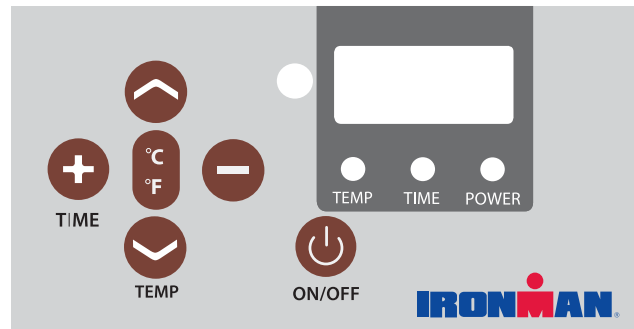
Plug the unit into the outlet with the “**POWER**” light off before starting it and use the **ON/OFF** switch to turn on the massage table. After starting the unit, the digital temperature display should show the set temperature as 140 degrees F (60 degrees C). The temperature can be changed by pressing the “**^**” or “**v**” buttons to increase or decrease the temperature. The digital time display should show the set time is 59 minutes. Timer can be changed by pressing the “**+**” or “**-**” buttons to increase or decrease time. After 5 seconds, the digital temperature display should flash 2 times and then returns to display the current temperature of cushion. When pressing the button “**^**” or “**v**” again, it will change to display the “set temperature” and can be set to desired temperature.

Press the °C/°F button to switch the display between Centigrade and Fahrenheit. Buzzer will beep when time counts down to 0 or the temperature reaches your set temperature.

After using the unit, turn off the **ON/OFF** switch, and unplug the power cable.



REMOTE CONTROL



CONTROLLER PANEL

ABOUT TEMPERATURE

1. The temperature readout is based on the sensor built-in with the Fiber Glass Infrared heater mat inside. It does not represent the temperature of the massage table surface.
2. Put a towel or cloth on top of the bed will help increase the temperature even faster.
3. After the 15-20 minutes preheat time and lay on the beds, the temperature will continue to increase.

STORAGE



1. Lay the table on its side and fold at an angle.
2. Do not wrap the power cord around the unit. When not in use, wrap the cable around the end panel as illustrated.
3. Completely fold the Legs flat under the table.
4. Make sure the Cables, U Shape Headrest, Face Cushion, Armrest, and Side Armrests are inside the table before closing it.

MAINTENANCE INSTRUCTIONS

You should check your massage table for any kind of wear and tear before each and every use.

1. Check the legs, bed and cables for wear and tear.
2. Replace damaged and worn components immediately.
3. Keep all damaged equipment out of use until it is repaired.

WARRANTY

Paradigm Inc. warrants to the original purchaser that this product is free from defects in material and workmanship when used for the purpose intended, under the conditions that it has been installed and operated in according to Paradigm's Owner's Manual. Paradigm's obligation under this warranty is limited to replacing free of charge, any parts which may prove to be defective under normal home use. This warranty does not include any damage caused by improper operation, misuse or commercial application. From the date of purchase, the frame is warranted to be free from defects for 1 (one) year. All parts and workmanship, including electronics and its console cases, upholstery, foam, ball bearings, pulleys, cables, shocks, all tension mechanisms, wheels, pedals and hardware are to be free from defects for 90 days. This warranty is offered only to the original owner and is not transferable. Proof of purchase is required.

