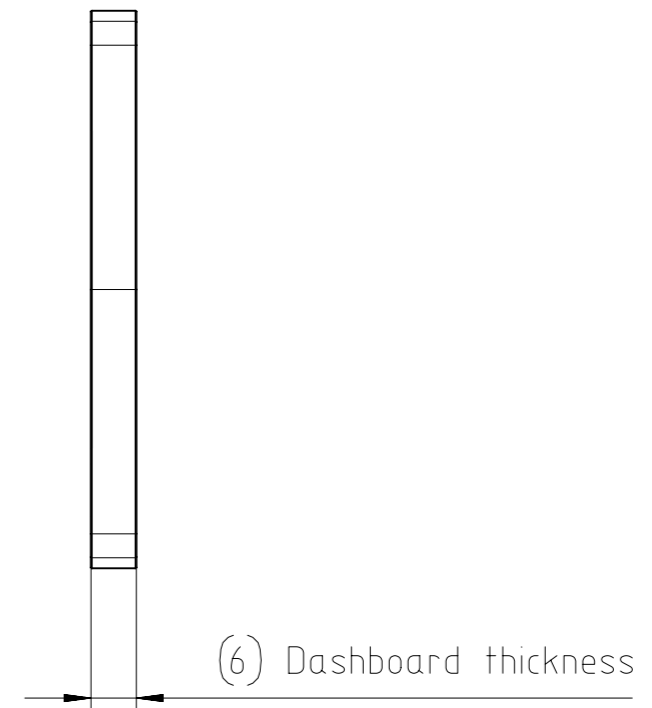
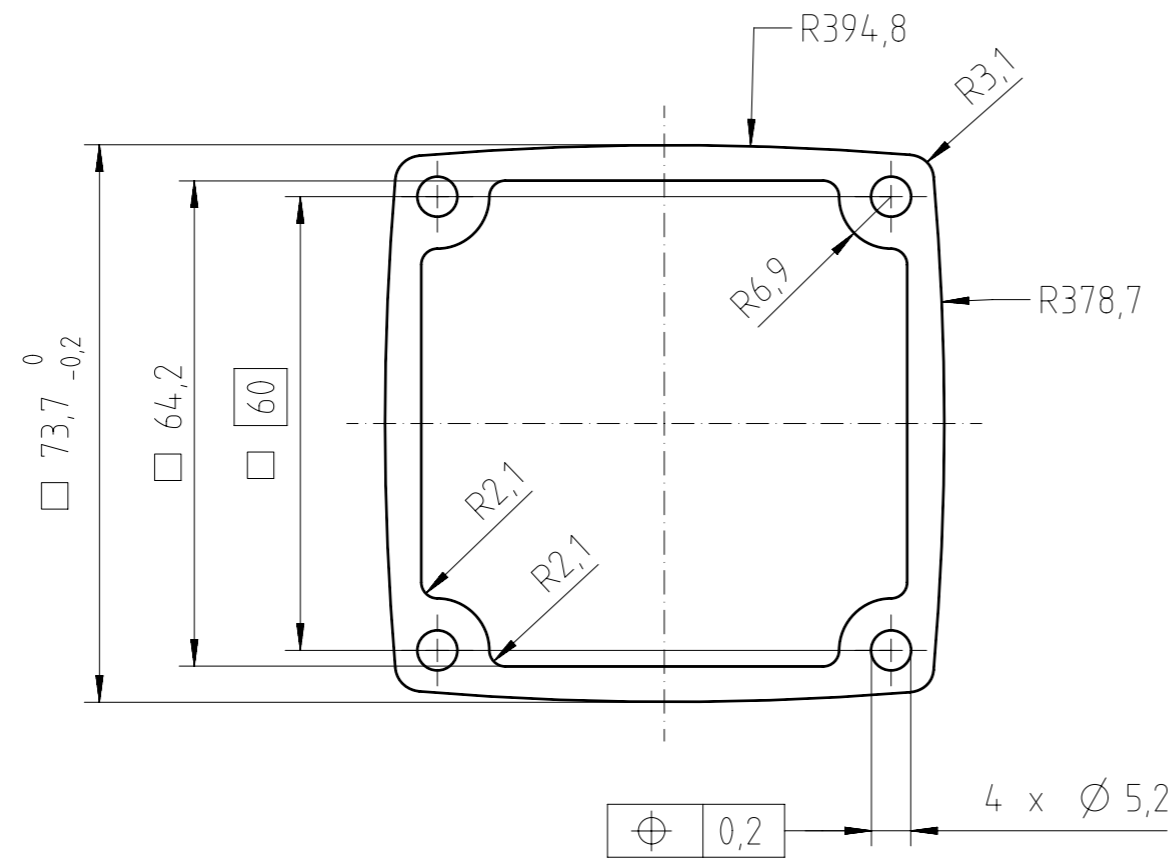


| |
|--|
| Applicable Documents |
| OPUS A3 Standard spacer cut-out dashboard step |
| - |
| - |
| - |

For 3D data of the spacer see: OPUS A3 Standard spacer cut-out dashboard step



| | |
|---------|-----------------|
| Surface | Surface quality |
| - | |
| | 1-0.1 |
| | 1-0.1 |

| | | | | | | | | | | | | | | | | | | | | | | | | | | | | | |
|---|---|--|--------------------------------------|---|--------------------|-------------|-------------|---|---|---|---|-------------------------|----|---|---|---|---|------------------|---|---|---|---|---|---------------|---|--|--|------------------|--|
| Scope of application For this drawing all rights are reserved. Delivery to third party, copying and otherwise misuse is forbidden. (Protection against) Unfair Competition Act | | Allowed deviation General tolerance DIN 2768-m | Surface DIN EN ISO 1302 | Scale: 1:1 | (Weight): - | | | | | | | | | | | | | | | | | | | | | | | | |
| <table border="1"> <tr><td>-</td><td>-</td><td>-</td><td>-</td><td>Date</td><td>Name</td></tr> <tr><td>-</td><td>-</td><td>-</td><td>-</td><td>Drawn 14.06.2012</td><td>FR</td></tr> <tr><td>-</td><td>-</td><td>-</td><td>-</td><td>Checked -</td><td>-</td></tr> <tr><td>-</td><td>-</td><td>-</td><td>-</td><td>Norm -</td><td>-</td></tr> </table> | | - | - | - | - | Date | Name | - | - | - | - | Drawn 14.06.2012 | FR | - | - | - | - | Checked - | - | - | - | - | - | Norm - | - | Material: Dashboard material (Material number): - | | Part name | |
| - | - | - | - | Date | Name | | | | | | | | | | | | | | | | | | | | | | | | |
| - | - | - | - | Drawn 14.06.2012 | FR | | | | | | | | | | | | | | | | | | | | | | | | |
| - | - | - | - | Checked - | - | | | | | | | | | | | | | | | | | | | | | | | | |
| - | - | - | - | Norm - | - | | | | | | | | | | | | | | | | | | | | | | | | |
| | | Wachendorff Elektronik GmbH & CO KG Industriestr. 7 65266 Geisenheim www.wachendorff.de | | Item number OPUSA3SXXXXXXXXXX | | | | | | | | | | | | | | | | | | | | | | | | | |
| Rev Change | | Date Name | | Speicherort - | | | | | | | | | | | | | | | | | | | | | | | | | |
| | | | | Sheet 1 A3 | | | | | | | | | | | | | | | | | | | | | | | | | |

Spacer for dashboard mounting

Item number
OPUSA3SXXXXXXXXXX

Sheet
1
A3