

Mounting torque:

2,5 ± 0,2 Nm

Secure the screws with thread locker medium strength (e.g. Loctite 243)

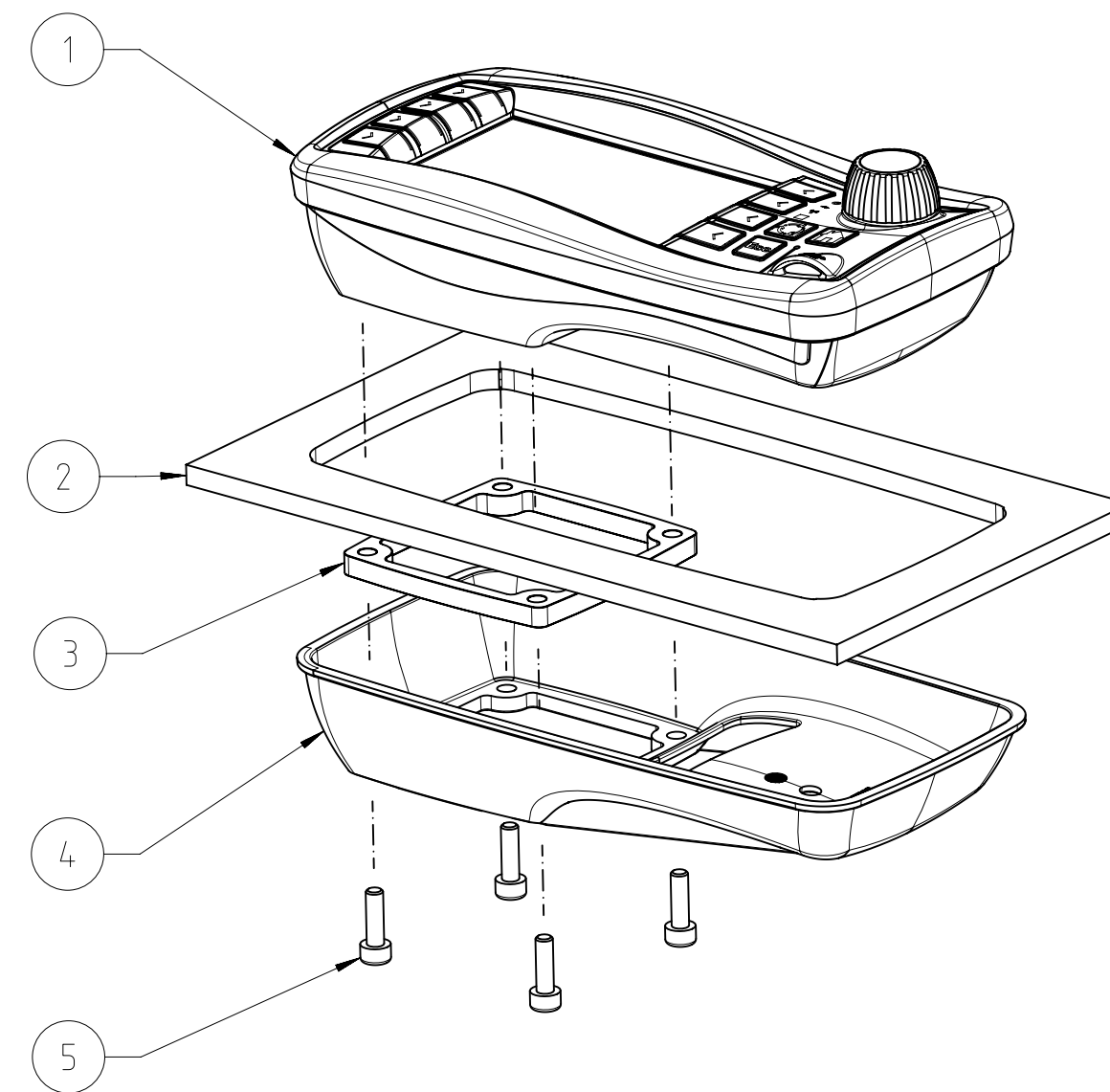
Depends on dashboard thickness

Assignment dashboard thickness / Screw length:

1mm - 3mm / M5 x 12

4mm - 6mm / M5 x 16

7mm - 10mm / M5 x 20



Parts list

Pos.	Description	Partnumber	Order number	Supplier
1	OPUS A3 Standard	OPUSA3SXXXXXXXXXX	OPUSA3SXXXXXXXXXX	Wachendorff
2	Dashboard	-	-	Customer
3	Spacer	-	-	Customer
4	Mounting cover	MKFAL3SEB0	OPUSA3ZBEB001	Wachendorff
5	Screw	-	-	Customer

Scope of application For this drawing all rights are reserved. Delivery to third party, copying and otherwise misuse is forbidden (Protection against Unfair Competition Act)		Allowed deviation	Surface	Scale: 1:2	(Weight): -
				Material: Div	(Material number): -
-	-	-	-	Date	Name
-	-	-	-	13.06.2012	FR
-	-	-	-	Checked	-
-	-	-	-	Norm	-
				Part name	
				Dashboard mounting instructions	
				Item number	
				OPUSA3SXXXXXXXXXX	
				Sheet	
				1	
				A2	
Rev	Change	Date	Name	Speicherort -	