



SERVICE BULLETIN

14-T5-36

DATE: 11\06\2014

MODELS CONCERNED: MK4 300 Litre Net

Also the following tractors if fitted with the net;
MK4 B Series B60-4TRAC, B250-4TRAC, C50, C60, C80,
F60-4TRAC, F250-4TRAC, T50, T60 & T80.

CONCERN: An electrical cut out issue has been highlighted on the 2014 MK4 Net. A net securing kit is available that corrects the issue.

Net Magnet Kit

2014 MK4 Net & PGC assemblies made before 6th June can suffer from electrical cut out during operation if used in a situation whereby the net is likely to bounce excessively. A net securing kit has been developed that restricts net movement and corrects the electrical fault.

Nets produced from 6th June 2014, from serial number A0280942 are fitted with this kit as standard.

Kit Number	Description
50100045	Net Magnet Kit

The attached manual explains what is included in the kit and how to install it.

COUNTAX[®]

W Westwood

MK4 300 LITRE PGC NET MAGNET KIT FOR MK4 B / C / F / T SERIES TRACTORS

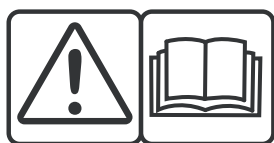
Magnet Fitting Guide

Compatibility

MK4 300 Litre Net & MK4 PGC
(Kit not needed for MK3 version)

This kit is only required for net units made before June 6th 2014

(GB) ENGLISH



May 2014 issue

Part No. 366021600 -

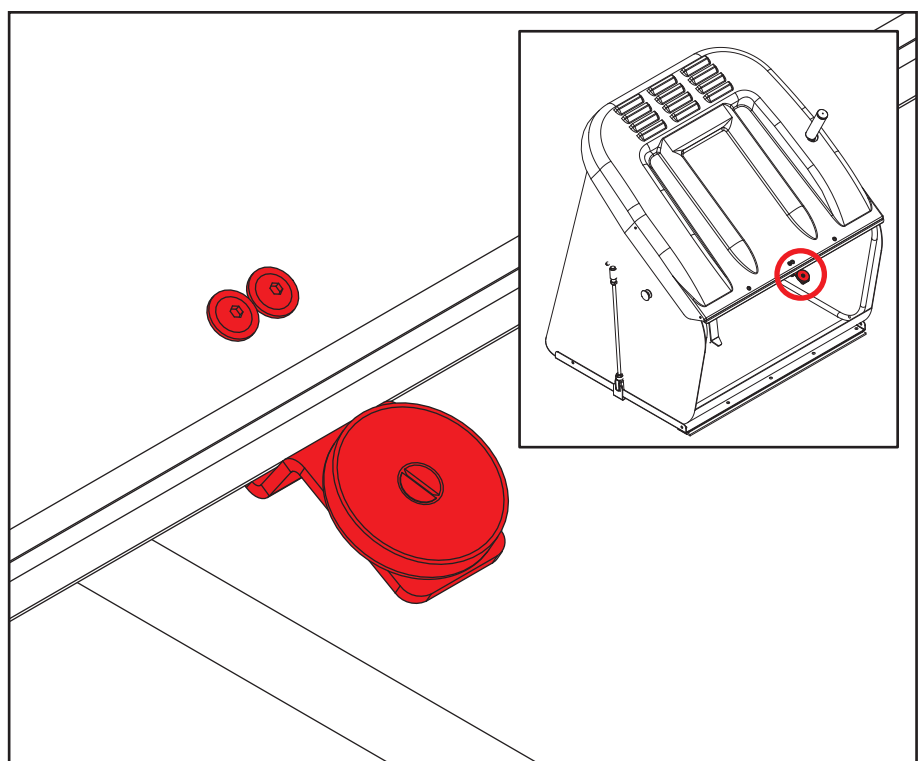


Table of Contents

Tractor Kit Components.....	3
Kit Installation.....	4 - 5
General Reference Images.....	6
Notes.....	7

Kit Installation

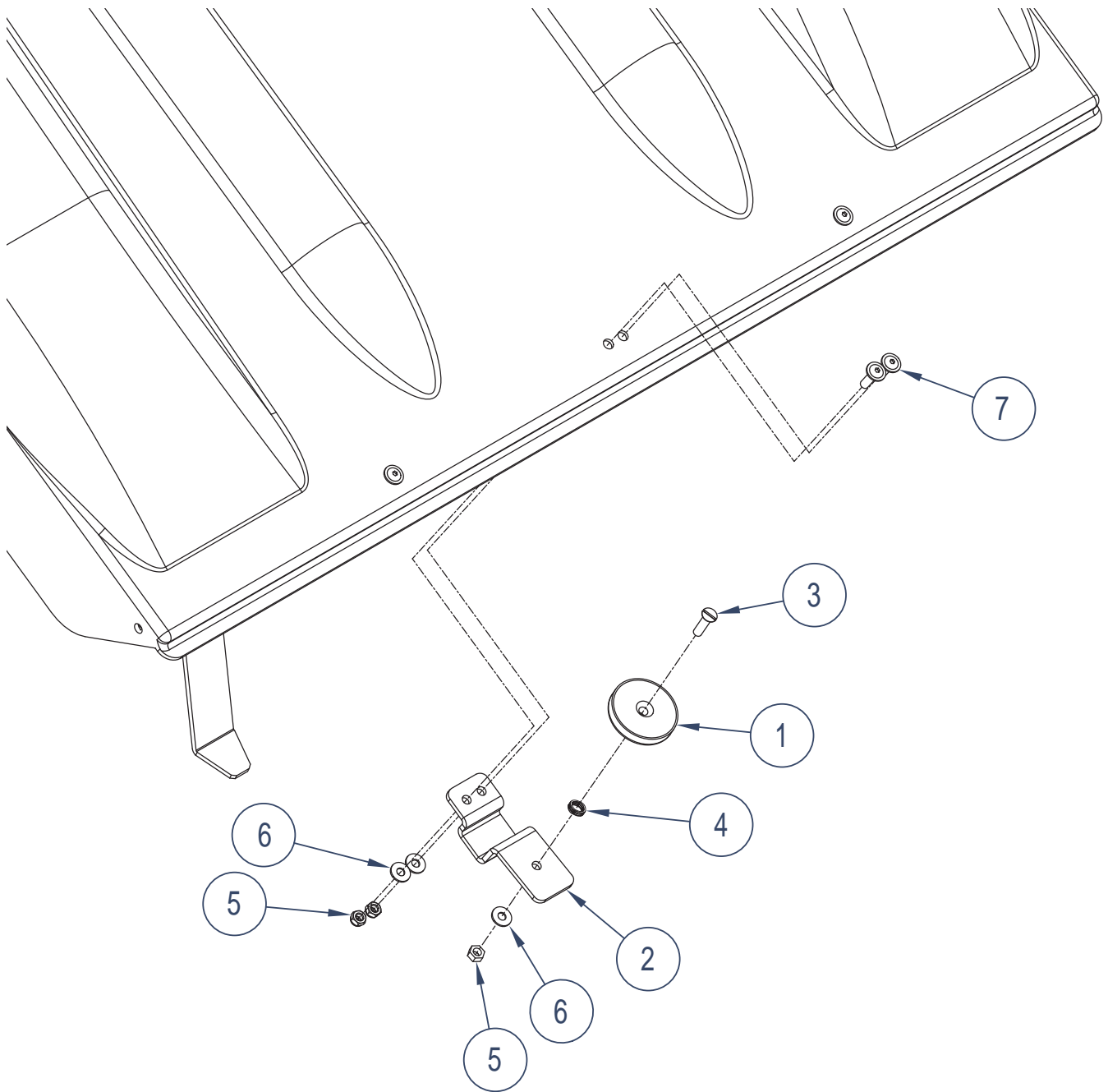


fig. 1

ITEM NO.	DESCRIPTION	NUMBER	QTY	KIT NUMBER
1	MAGNET, BONNET CATCH	119071600	1	50100045
2	BRKT, NET MAGNET MOUNT	549123000	1	
3	M5 X 30MM CSK SOCKET HEAD SCREW, BLACK	028004000	1	
4	Wave spring, C-series Net magnet catch	259406000	1	
5	M5 NYLOC 'T'	04885900	3	
6	M5 WASHER	08911500	3	
7	M5 x 16 BUTTON FLANGED SCKT DRIVE SCRW S/C	019479500	2	

Kit Installation

1 REMOVE NET FROM PGC BODY

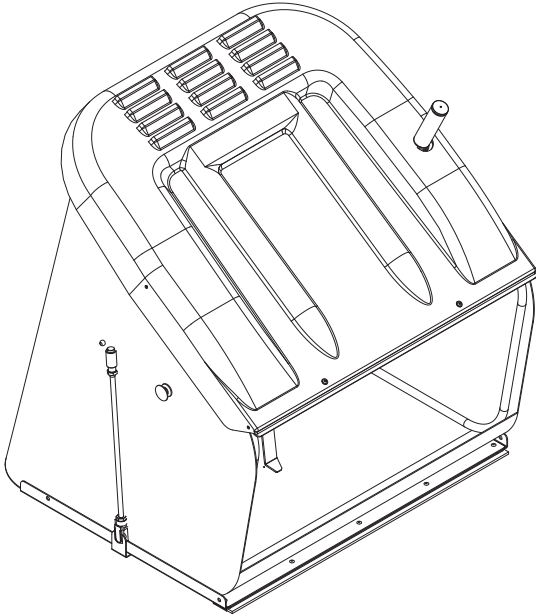


fig. 2

2 REMOVE LID SCREWS

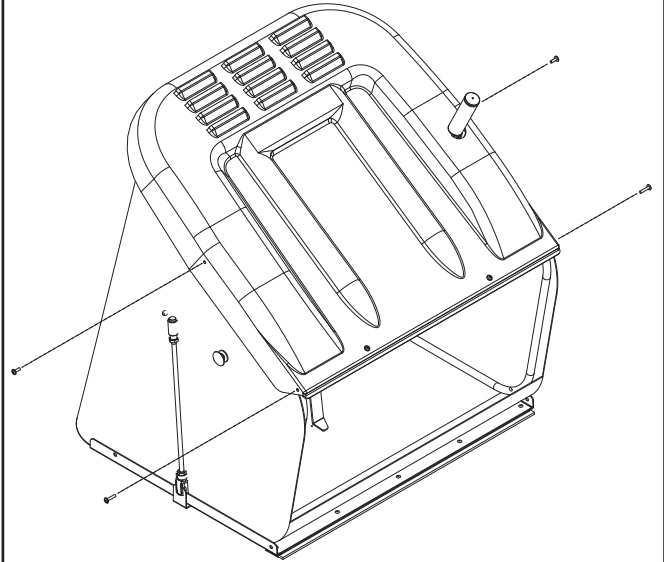


fig. 3

3 DRILL TWO HOLES IN LID BAR STIFFENER AND PLASTIC COVER (UNDERSIDE OF LID)

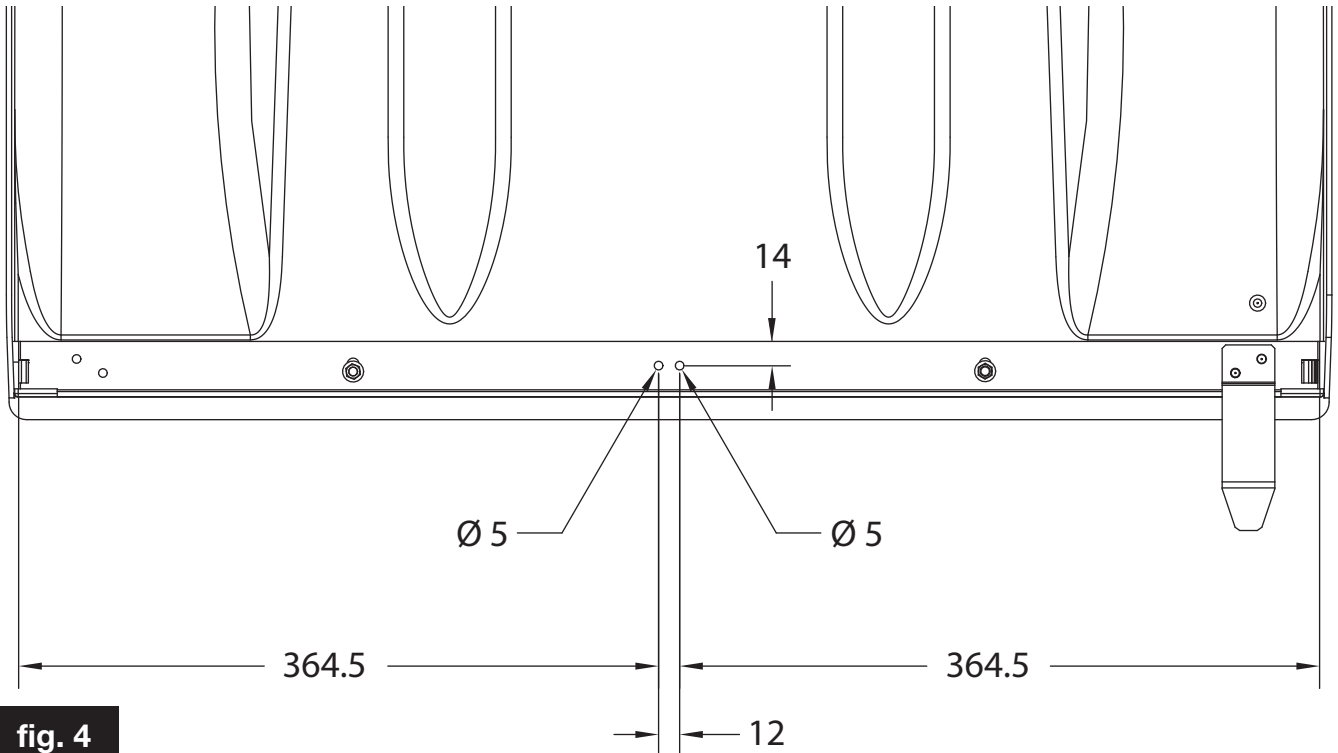
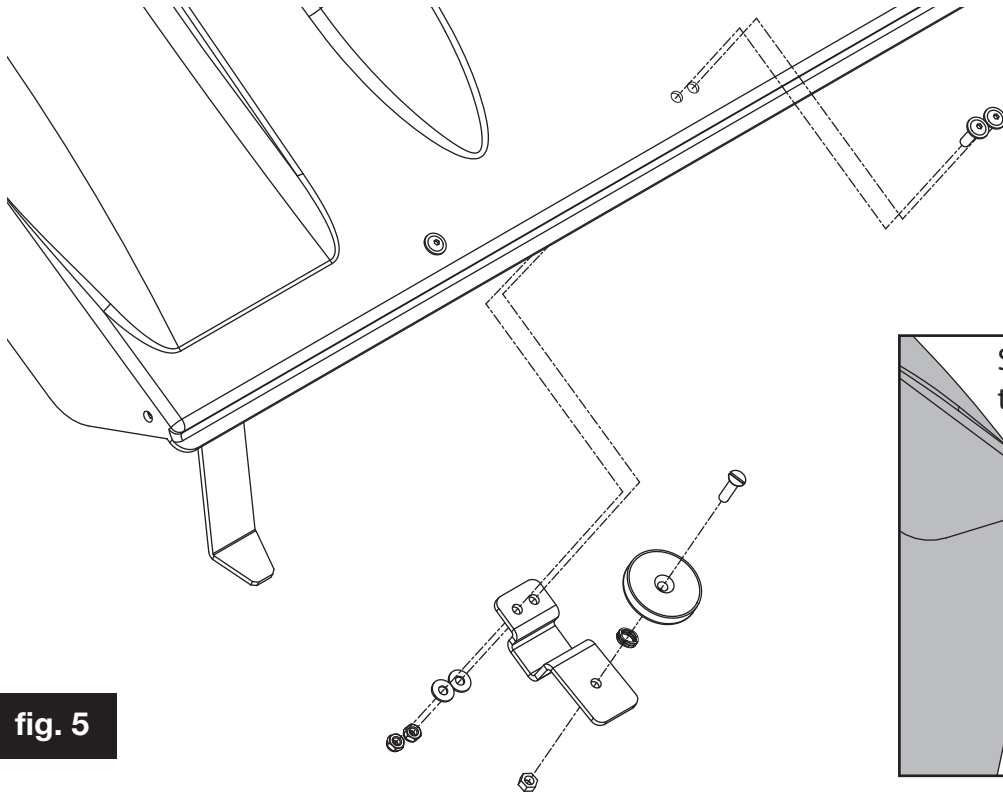


fig. 4

4 INSTALL MAGNET COMPONENTS



Spring gap should be set to 4 mm.

fig. 5

5 REPLACE LID SCREWS

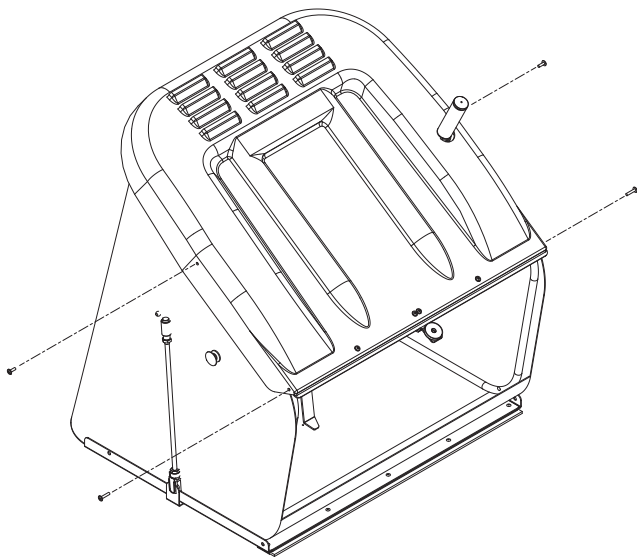


fig. 6

6 MOUNT NET ON PGC BODY.....END

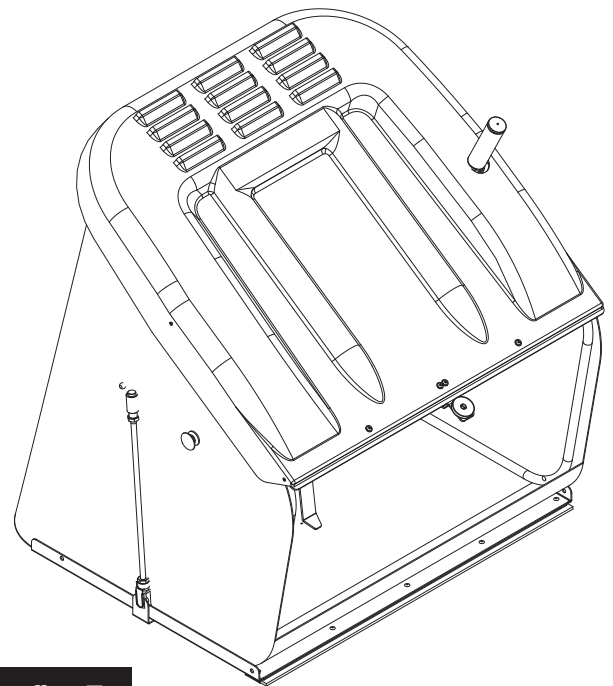
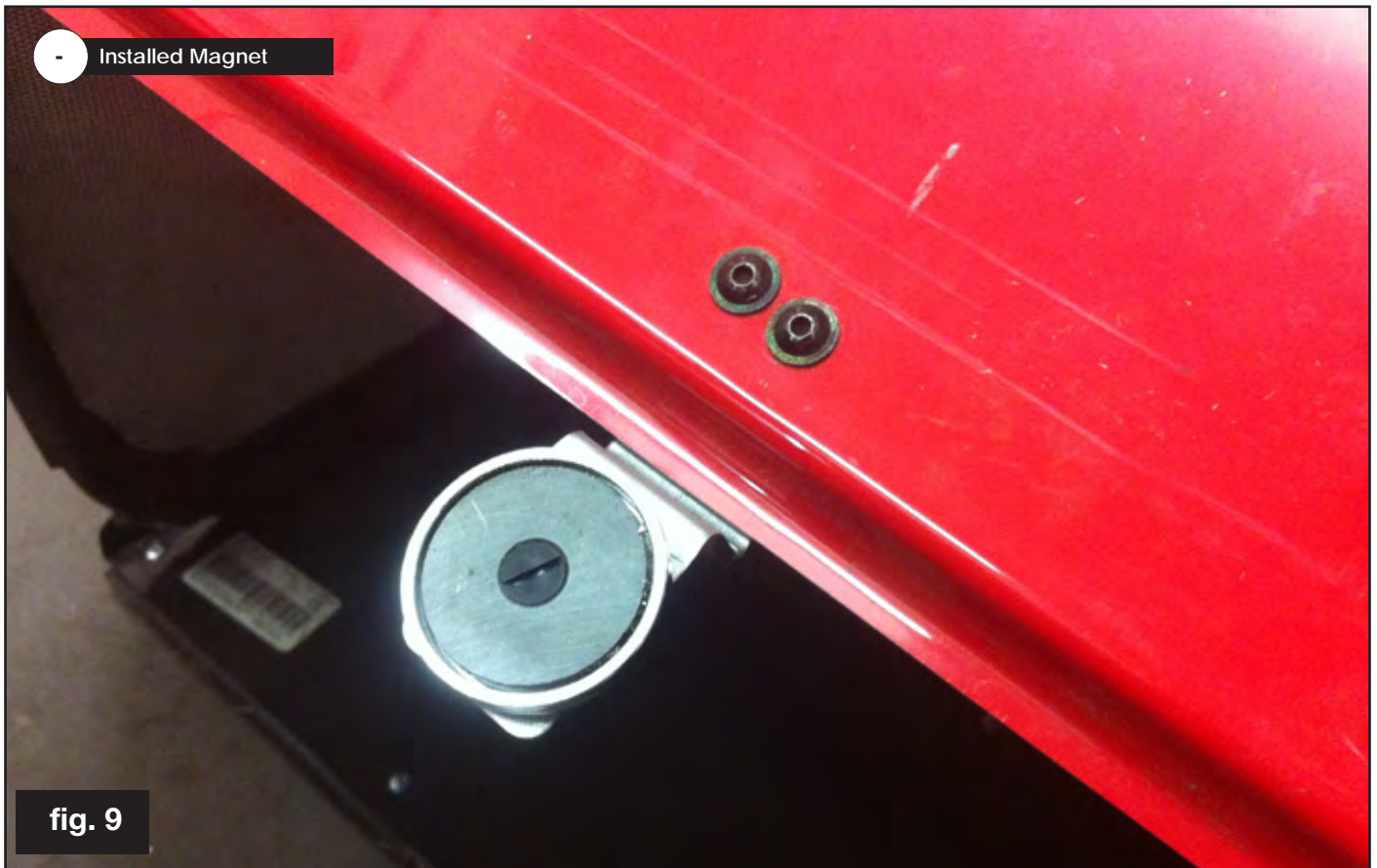


fig. 7

General Reference Images



COUNTAX

Countax Limited, Countax House, Great Haseley, Oxford OX44 7PF
Tel: (+44) 1844 278 800 • Fax: (+44) 01844 278 792

An *Ariens* Company Brand