

SERVICE BULLETIN**15-T4-74**

DATE: 09/09/2015

MODELS CONCERNED: 42 XRD Rear discharge Decks

USED ON THE FOLLOWING: MK4 B Series B60-4TRAC, B250-4TRAC, C50, C60, C80, F60-4TRAC, F250-4TRAC, T50, T60 & T80.

INFORMATION: Mulching kits for XRD rear discharge deck. To get the best use of the mulch system a 5 ¾ inch drive pulley plus alternative drive belt is required for decks that are installed with a seven inch drive pulley.

This bulletin replaces bulletin 15-T4-72. In this update the drive belt is changed from B57 to B58. The longer (B58) belt allows the deck to sit correctly and offers more adjustment.

The Alternative Pulley and Drive Belt Recommendation

All UK XRD decks manufactured up until the beginning of June 2015 are fitted with a 7 inch input drive pulley and corresponding drive belt. The new mulch system requires an increase in cutting blade tip speed. Therefore an alternative 5 ¾ inch pulley and associated belt will be required to increase the speed of blade rotation when mulching. The alternative input pulley will improve the mulch performance of the deck. This is not a safety concern. The pulley is offered as an improving feature for better mulching performance only. The existing 7 inch pulley and belt configuration can be used for all other cutting tasks.

The Mulch Kit

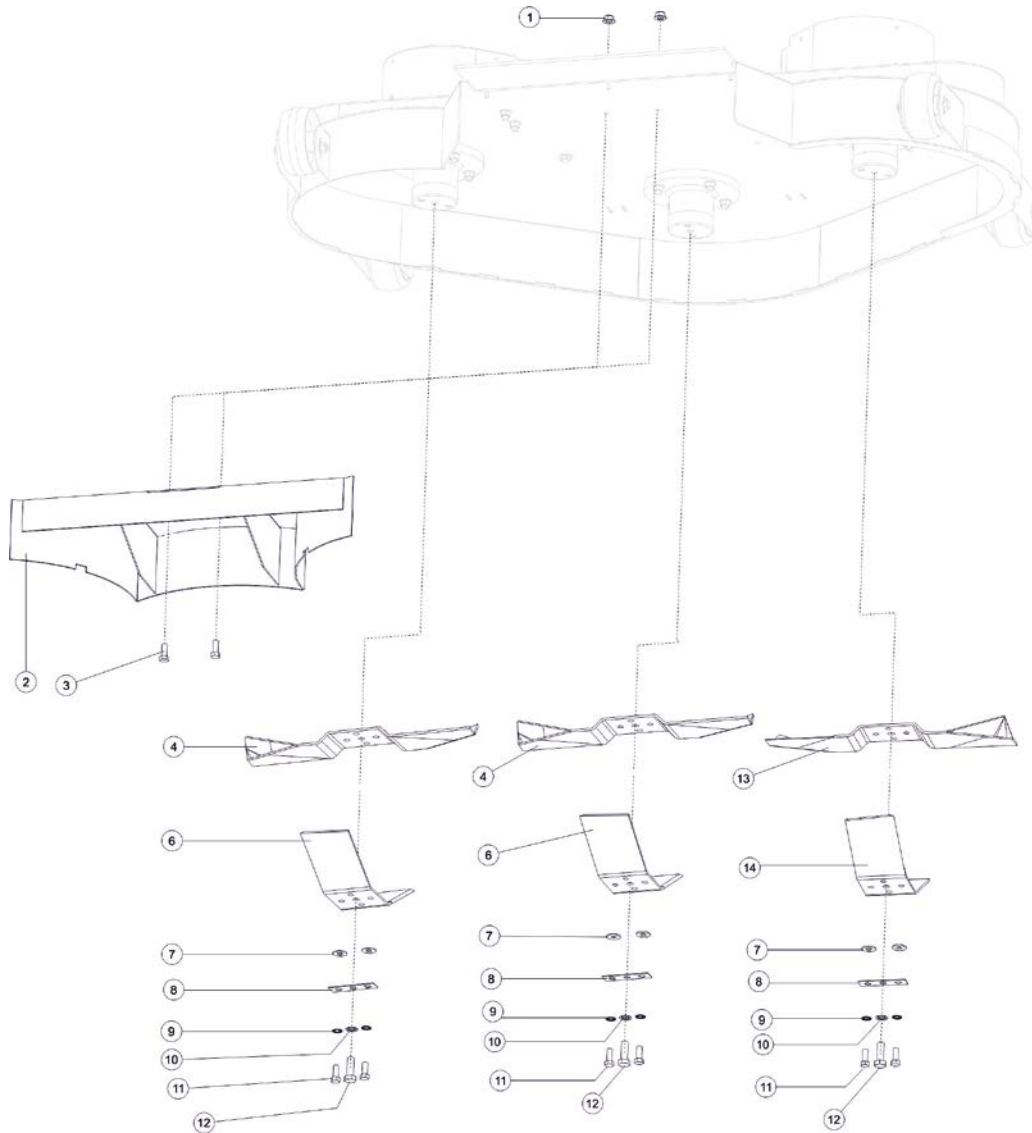
The mulching kit is not supplied with the alternative pulley or belt as standard. All XRD deck made from the start of June 2015 will be supplied with the new belt & pulley as standard instead of the seven inch version. The mulch kit consists of a set of mulching blades with fixings plus a mulch plug with fixings. Should the user wish to revert back to cut and collect, they just need to remove the plug. The blades can stay. The parts must be assembled as shown in parts list diagram figure 1 and should be fitted by properly trained persons only. The kit codes for the mulch plug kits are as follows;

Kit Description	KIT SKU Number	Parts List Number
42 XRD Mulch Kit	50100036	366020900 A

- Notes:
- (i) Ensure the locking strips (fig.1, No.8) are located in the correct position.
 - (ii) The cutting blades need to be replaced to ensure the mulching blades are securely fitted.
 - (iii) Ensure the torque settings are correct on the blade bolts – as follows:

Fig1, No 11 - M8 bolts = 25Nm (+/- 5%) Fig1, No 12 – M10 bolts = 51Nm (+/- 5%)

Figure 1



No	Part number	description
1	049383700	M8 FLANGE NUT
2	327401500	42 IBS Mulch Stiffener Welded Assembly
3	02826100	BOLT M8 X 20mm Unplated S/S
4	16000400	BLADE- WIM FLAT 1 HOLE
6	16000100	BLADE- WIM BRIDGE 1 HOLE
7	088003700	WASHER - M8 x 21 x 1.6
8	27111200	BOLT LOCKING STRIP
9	088003800	M8 INTERNALLY SERRATED SHAKEPROOF WASHER
10	088004000	M10 INTERNAL SHAKEPROOF WASHER
11	028893500	Screw,Hex Hd DIN933 M8 x 20, Grade 10.9
12	028892300	Screw,Hex Hd DIN933 M10 x 30, Grade 10.9
13	16000500	BLADE- WIM FLAT 3 HOLE
14	16000300	BLADE - BRIDGE 3HOLE ILFTRN

The Belt & Pulley Kit

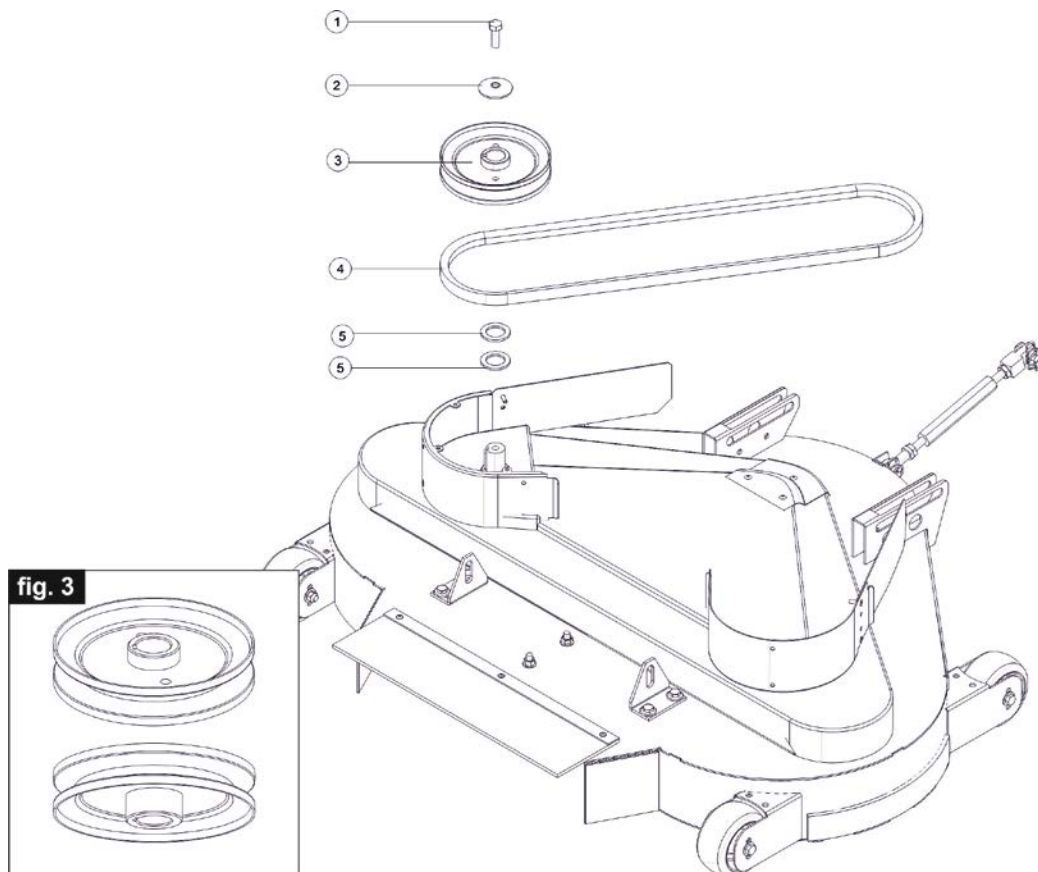
The belt and pulley kits are available under the SKU numbers listed in the table below. This kit will be incorporated into the XRD deck as standard from June 2015. This kit is only required when mulching with older XRD decks. The XRD deck will function and mulch without this kit but it is recommended to utilise this kit as an improvement.

Kit Description	KIT SKU Number	Drive Belt included	Drive Pulley included	Parts List Number
42 XRD Belt & Pulley Kit	50100074	B57	5 3/4"	366024300 A

The belt and pulley kit is assembled as shown in parts list figure 2. These kits should only be assembled by properly trained persons.

- Notes: (i) The belt tension must be checked after the kit has been fitted.
(ii) Ensure orientation of drive pulley (No. 3) is correct – larger boss facing down (see fig. 3)

Figure 2



1	02886000	M10 X 30 S/SCREW BZP
2	08819901	DOME WASHER 3/8 X 1 3/4 X 1/8
3	209044300	5 3/4" (146mm)DK DRIVE PULLEY 42" HGM 2050 ONLY
4	22870100	B58 BELT
5	549011500	Pulley Shim

Bulletin Revision Log

No.	Revision Date	Reason / Comments
A	22/07/2015	Bulletin released (15-T4-72)
B	09/09/2015	B57 belt changed to B58 and bulletin revised to 15-T4-74