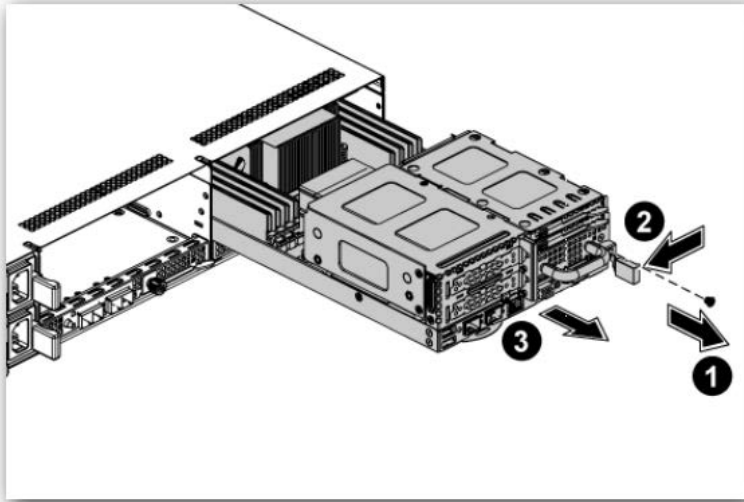


## How to Install Memory into CiB-9224

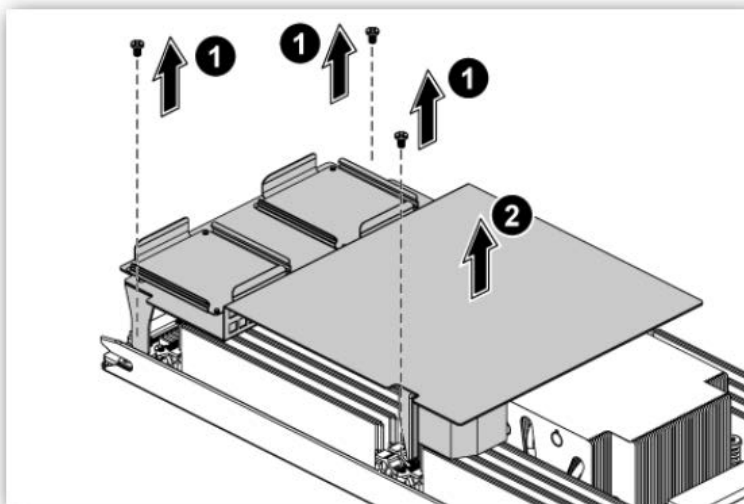
### Remove the Node

1. Loosen the screw
2. Press the retaining latch
3. Slide the node out of the chassis by using the handle

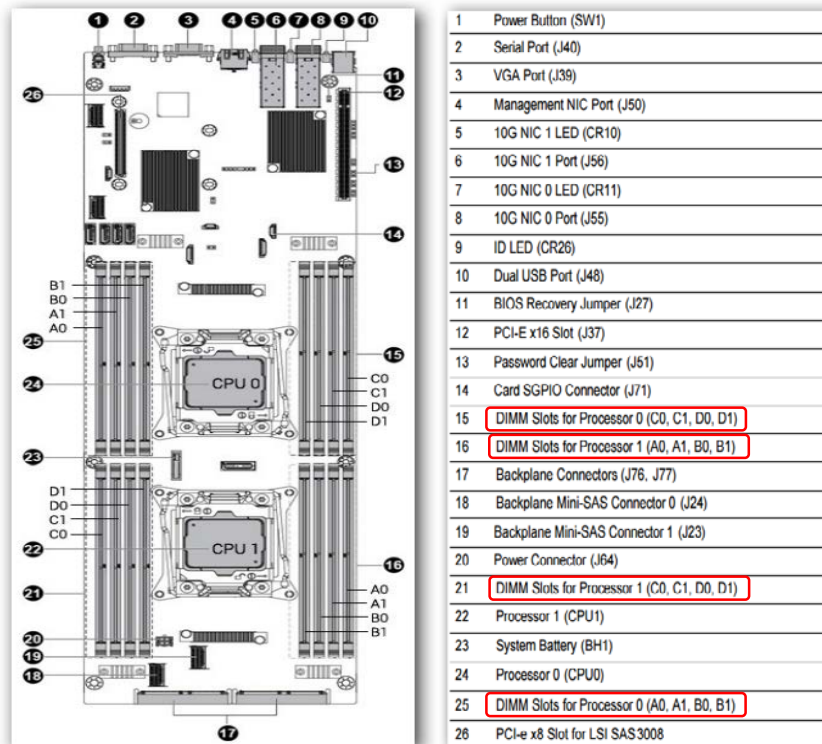


### Remove the Air Duct

1. Loosen the screws that secure the fan duct
2. Remove the air duct



## Overview of Motherboard



## Install the Memory

Insert the memory into the dim slots, referencing the table below, to that of your configuration.

### Memory Configuration

CPU	CPU 0								CPU 1							
	CH A		CH B		CH C		CH D		CH A		CH B		CH C		CH D	
DIMM Channel	A0	A1	B0	B1	C0	C1	D0	D1	A0	A1	B0	B1	C0	C1	D0	D1
1 CPU + 1 DIMM	✓	-	-	-	-	-	-	-	-	-	-	-	-	-	-	-
1 CPU + 2 DIMM	✓	-	✓	-	-	-	-	-	-	-	-	-	-	-	-	-
1 CPU + 4 DIMM	✓	-	✓	✓	✓	-	✓	-	-	-	-	-	-	-	-	-
1 CPU + 6 DIMM	✓	✓	✓	✓	✓	-	✓	✓	-	-	-	-	-	-	-	-
1 CPU + 8 DIMM	✓	✓	✓	✓	✓	✓	✓	✓	-	-	-	-	-	-	-	-
2 CPU + 2 DIMM	✓	-	-	-	-	-	-	-	✓	-	-	-	-	-	-	-
2 CPU + 4 DIMM	✓	-	✓	-	-	-	-	-	✓	-	✓	-	-	-	-	-
2 CPU + 8 DIMM	✓	-	✓	✓	✓	-	✓	-	✓	-	✓	✓	✓	-	✓	-
2 CPU + 12 DIMM	✓	✓	✓	✓	✓	-	✓	-	✓	✓	✓	✓	✓	-	✓	-
2 CPU + 16 DIMM	✓	✓	✓	✓	✓	✓	✓	✓	✓	✓	✓	✓	✓	✓	✓	✓

### Notes:

1. The empty DIMM slot is marked as “-“.
2. The system requires at least one DIMM being installed on CPU 0 DIMM slot A0 in order to be booted up.
3. The DIMM installation rules for any number of processor in a system should be based on the node balanced configuration.