

**PERMCO HYDRAULIC/PNEUMATIC PRODUCTS**  
**Engineering Bulletin**

1500 Frost Rd  
Post Office Box 2068  
Streetsboro, Ohio 44241  
Phone: (330) 626-2801  
Fax: (330) 626-2805

TO: All Sales, Pump Assembly  
Cc: Manufacturing DATE: 01-01-2020

**Subject**

We have made a product development change to our EVO PM4E series motor port pressure plates. Series effected are PM4E, PM4SE, PM4E1 and PM4SE1.

Detailed reason for development change is added sealing capabilities for motors used in high vibration applications.

Standard port pressure plates come with square seal at base hub; new design will come with square seal and backup ring at base hub.

This running production change will not affect any related components such as cam rings and dowel pins as this is just a simple machining and added component change to increase sealing capabilities.

All new PM4E seal kits will incorporate the new backup ring; when resealing old style port pressure plates simply discard the backup ring.

We will continue to utilize the same model number structure and all seal kit part numbers related to PM4E components.

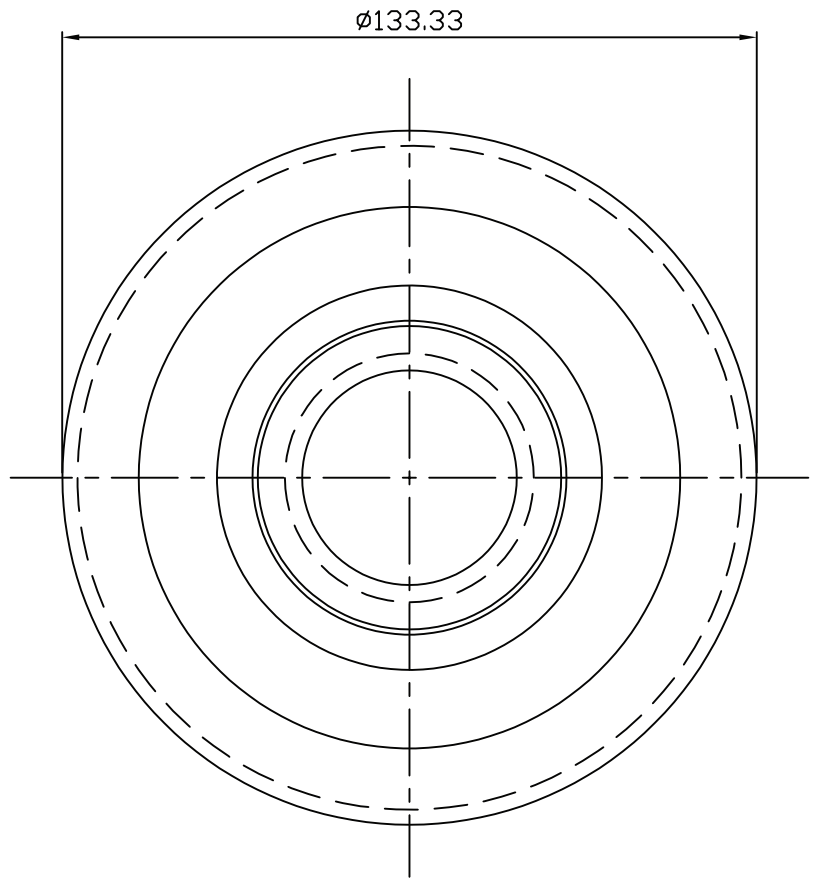
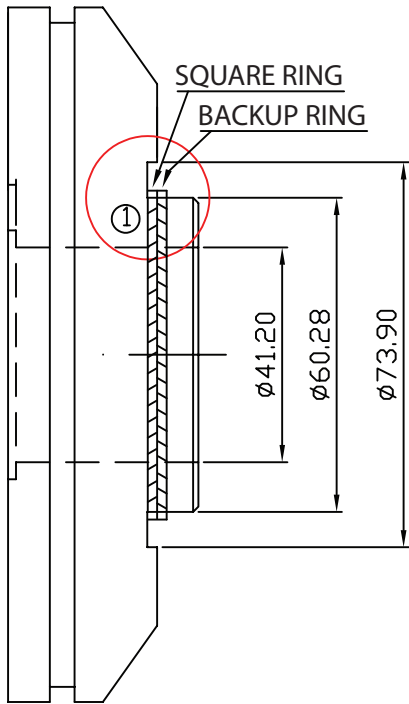
Thanks

Permco Product Development Division



The information contained in this facsimile message is property of Permco and confidential information intended only for the recipient named above. If the reader of this message is not the intended recipient, or agent responsible to deliver it to the intended recipient, you are hereby notified that any dissemination, distribution or copying of this document or its contents are strictly prohibited. If you have received this document in error, please immediately notify us by telephone and return this original facsimile to use at the address via the U.S. Postal Service. Thank you.

NEW DESIGN



OLD DESIGN

