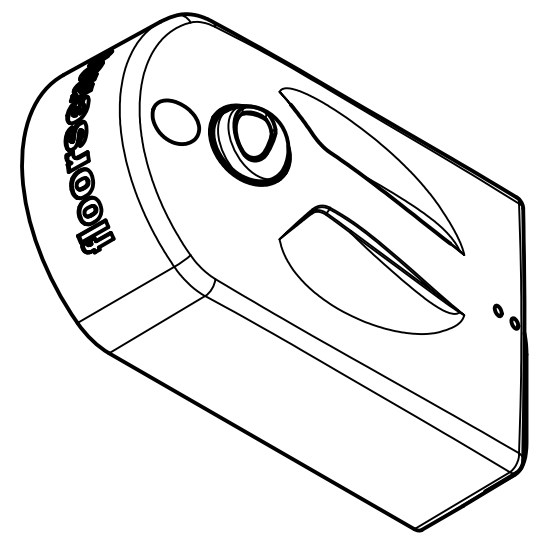
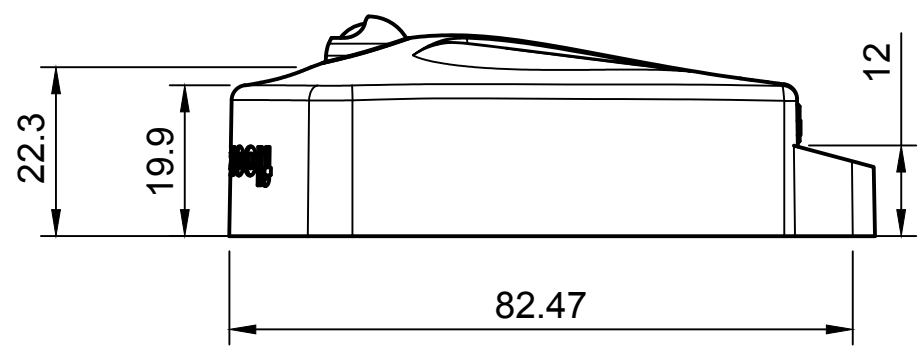


1 2 3 4 5 6 7 8

A

A

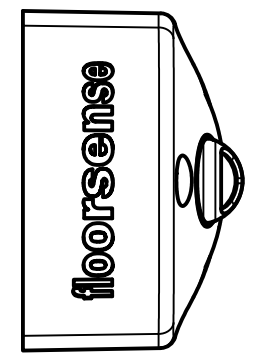
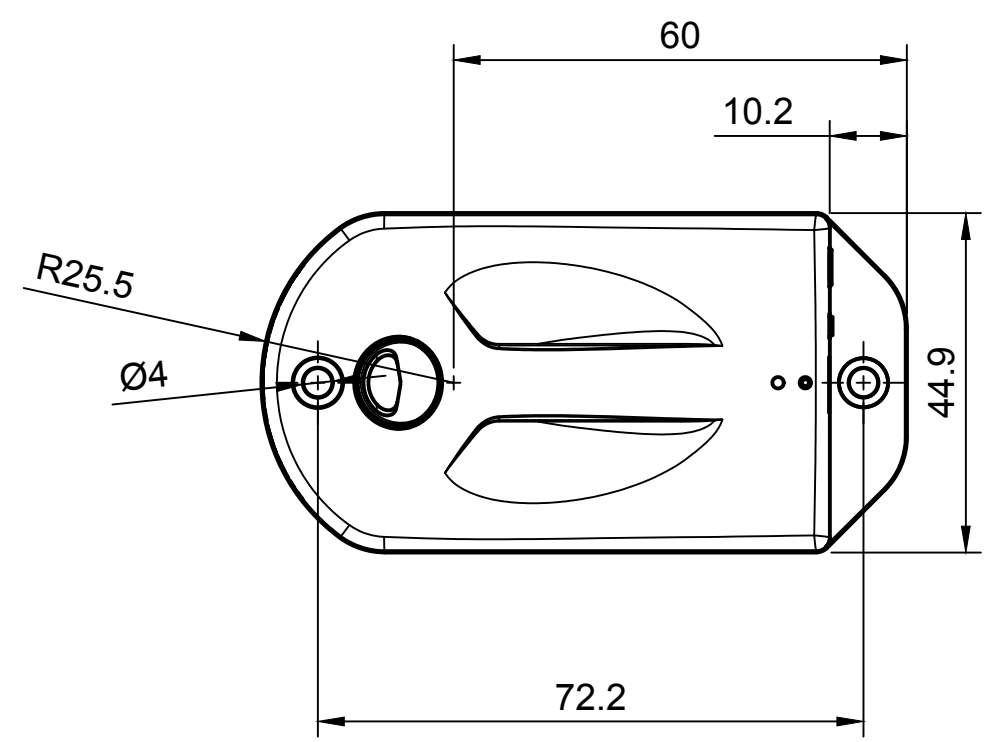


B

B

C

C



D

D

E

E

F

F

1 2 3 4 5 6 7 8

Dept.	Technical reference	Created by Hamish Campbell 2/03/20	Approved by
		Document type	Document status
		Title Floorsense2	DWG No.
	Rev.	Date of issue	Sheet 1/1