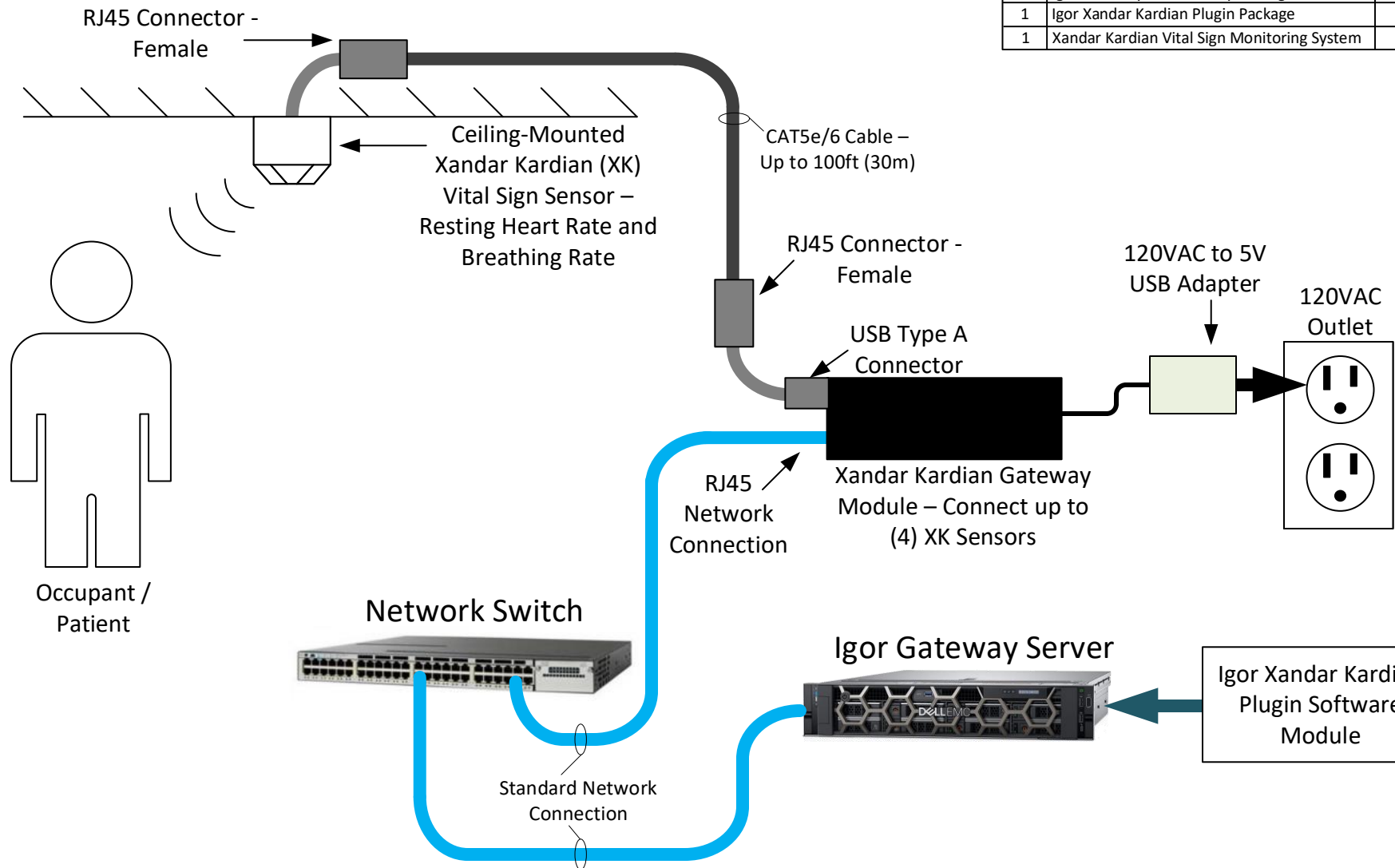


# Igor Integration to Xandar Kardian Vital Sign Monitor

BILL OF MATERIALS		
QTY	DESCRIPTION	PART #
1	Igor Gateway Software	S-1-LS-xxxx
2	Igor Nexos SAS Tier Two Licenses	S-NEX-2
1	Igor Gateway Connectivity Package	S-1-C
1	Igor Xandar Kardian Plugin Package	S-1-XK
1	Xandar Kardian Vital Sign Monitoring System	XK-VSM



**Igor**  
 Igor, Inc.  
 2700 Westown Pkwy  
 Suite 400  
 WDM, IA 50266  
 515-661-4412

TITLE	DRAWN BY	PAGE	
Igor Integration – Xandar Kardian Vital Sign Monitor	Andrew Pospisal	1 OF 1	
REVISIONS			
REV	DESCRIPTION	DATE	APPROVED
A	Initial Drawing	10/1/2020	