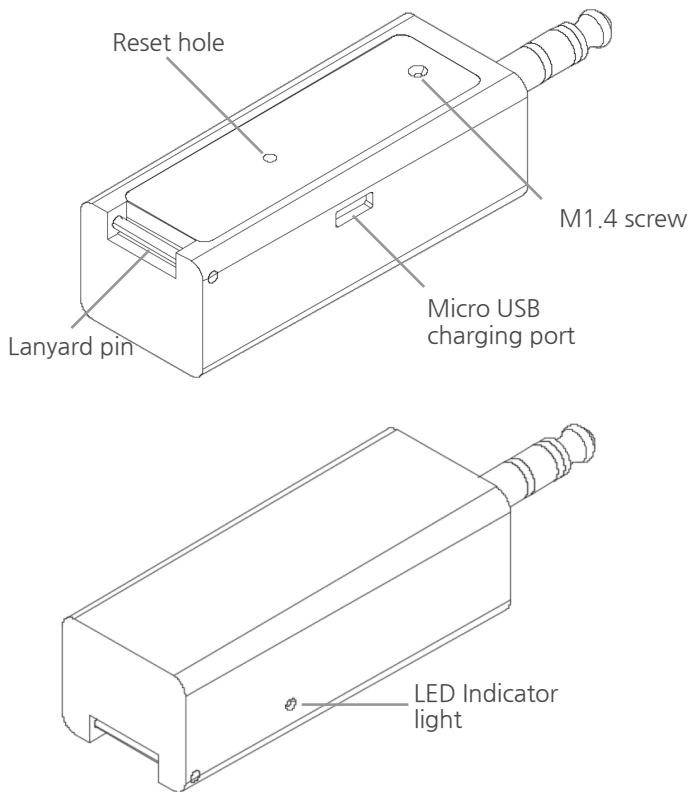


air console | GCAC2-LE-DEX Data sheet

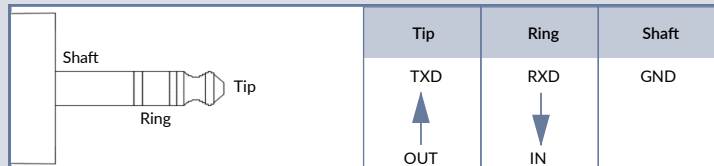


Airconsole LE provides field engineers and network technicians with a reliable low cost adapter for interacting with networking and other industrial equipments via the out of band serial console ports from any bluetooth enabled device - such as an iPhone or Android smartphone.

The lightweight portable adaptor can be clipped to belts and provides seamless connectivity when needed. Simple discovery and secure pairing locks the adaptor to a single operator handheld for audit and logging as required. Just Plug in and connect from your mobile App

Powered by a rechargeable Lithium-Polymer battery that lasts for 6+ months of normal operation*, there is no need for battery chargers or daily maintenance. Airconsole LE intelligently powers down automatically when not in use, preserving the battery life. Simply leave plugged in to Serial consoles for convenient secure access on demand

Using an open standard for Serial over Bluetooth Low Energy, including fully documented SDK along with royalty free example code, the Airconsole LE is the hardware of choice for mobile field engineers and working in the direct to store delivery market.



Key Features

Bluetooth Smart 4.2: Uses Bluetooth 4.2 (Low Energy) to connect to mobile devices for reliable transmission of serial data. Data encryption and secure pairing to end user devices built in. Twice the throughput and better range compared with Bluetooth 4.0.

Ultra Energy Efficient: Smart battery technology allows for a single integrated LiPo battery to last for around 6 months typical use*. External power connector for permanent installation and or quick charging.

Android and iOS Support: Native support for Android and Apple iOS devices with our free Terminal Apps, along with Windows 10 and MacOS. One adaptor for use with all the mobile devices your field force currently uses. Our free SDK gets your existing industrial Apps working without the wires.

Product Specifications

Physical

Dimensions (WxLxH): 105mm x 28mm x 23mm

Weight: 35 g (1.2 oz)

Environmental

Operating Temperature: -5°C to 45°C (19°F to 118°F)

Storage Temperature: -10°C to 70°C (12°F to 158°F)

Humidity: 0 to 95% relative humidity, (non-condensing)

ESD: ±15KV Air and ±8KV Contact

Environmental Sealing: Certified to meet IP33 standards for moisture and particle intrusion

Drop: Withstands multiple 3.3 m (10 ft) drops to concrete

Tumble: Exceeds 1000 cycles 1 m (3.3 ft) tumbles

External Interfaces

6.35mm Male DEX 3 point connector

Charging/External Power: 5V microUSB B female connection port. Charging cable included

Connectivity: Wireless Bluetooth 4.2 Low Energy. Backward compatible with 4.1 and 4.0 devices

Power Options*

Airconsole LE Standard: 230mAH Rechargeable Lithium-Polymer integrated battery

Airconsole LE Plus: 430mAH Rechargeable Lithium-Polymer integrated battery

*Both models can be charged or powered via external microUSB cable

Application Software

iOS: Get Console Full featured Terminal App

Android: SerialBot Terminal App

Windows: Native 10 Drivers for COM port emulation - then works with any Windows terminal, including PuTTY and SecureCRT

OSX: drivers for tty port emulation

Full iOS/Android SDK available for 3rd Party Applications to quickly add serial port support. Full Software Development Kit available from support.get-console.com

Battery life*

Expected battery life is based on 4 BLE client connections per day totalling 20 mins or less with each interaction transmitting 50kB serial data.

Airconsole LE Standard: 120 - 180 days
36.5 MB transferred

Airconsole LE Plus: 240 - 360 days
73 MB transferred

*Battery life is also dependent on external operating temperature and frequency of use. Results may vary from above

Warranty

Air console LE comes with a 12 Month Factory Warranty from date of purchase



FCCID: 2AA0ZGCAC2-LE

