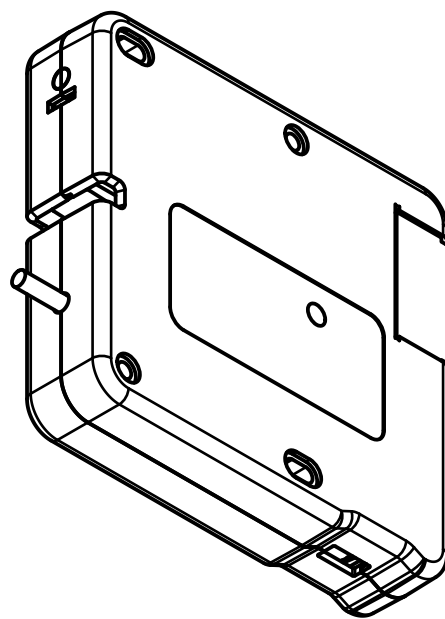
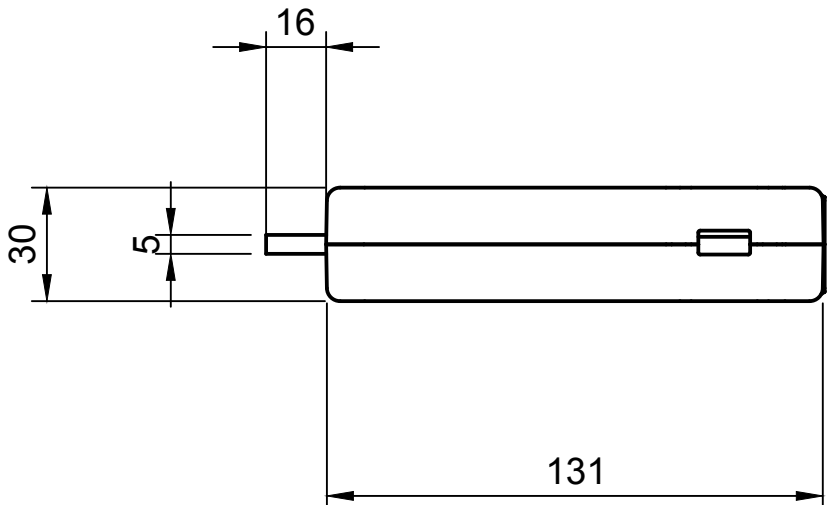


1 2 3 4 5 6 7 8

A

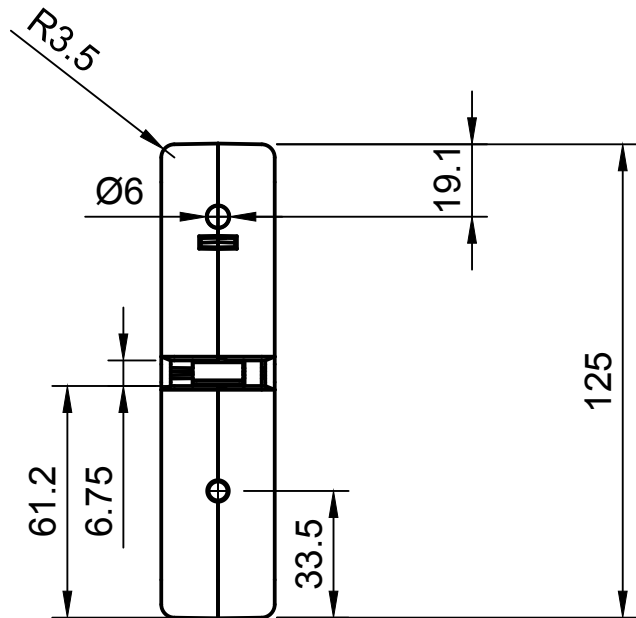
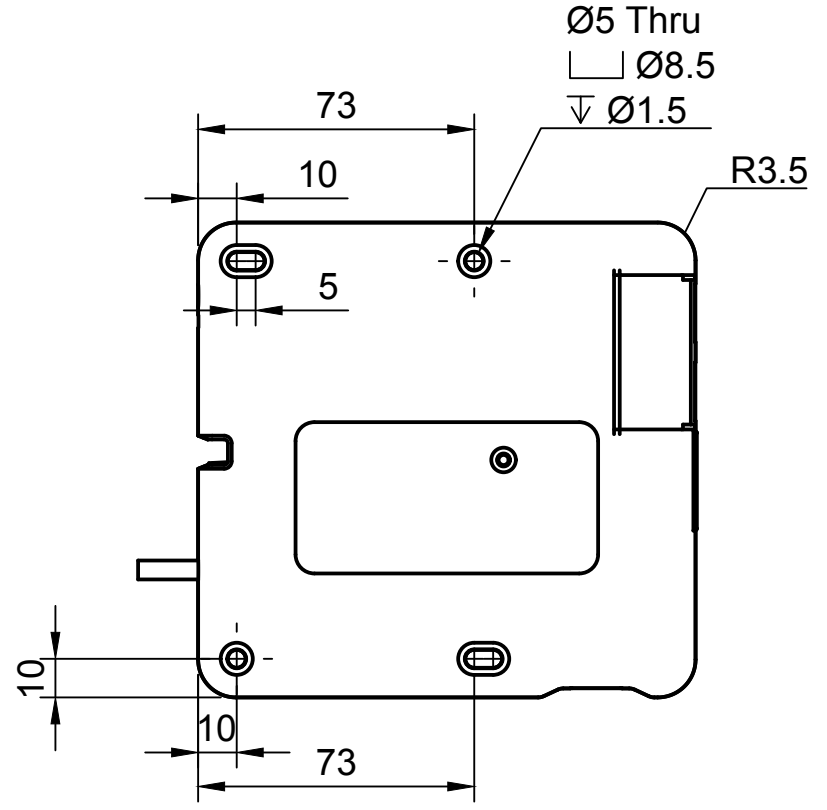


B

A

B

C



C

D

D

E

E

F

F

1 2 3 4 5 6 7 8

Dept.	Technical reference	Created by hamish campbell 21/11/16	Approved by
		Document type	Document status
		Title Smartalock Assembly v2 drawing	DWG No.
		Rev.	Date of issue
		Sheet 1/1	