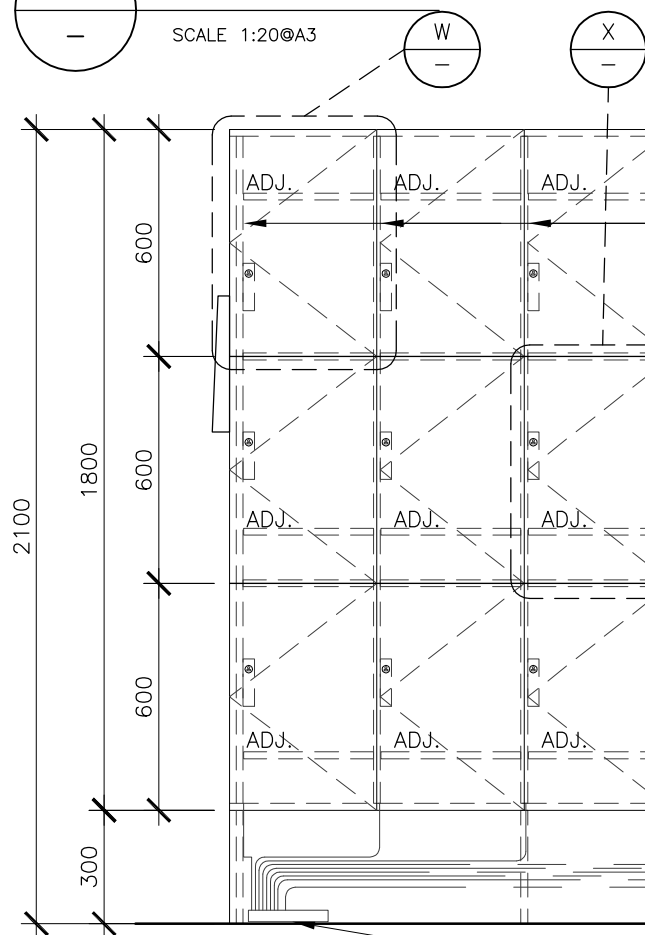


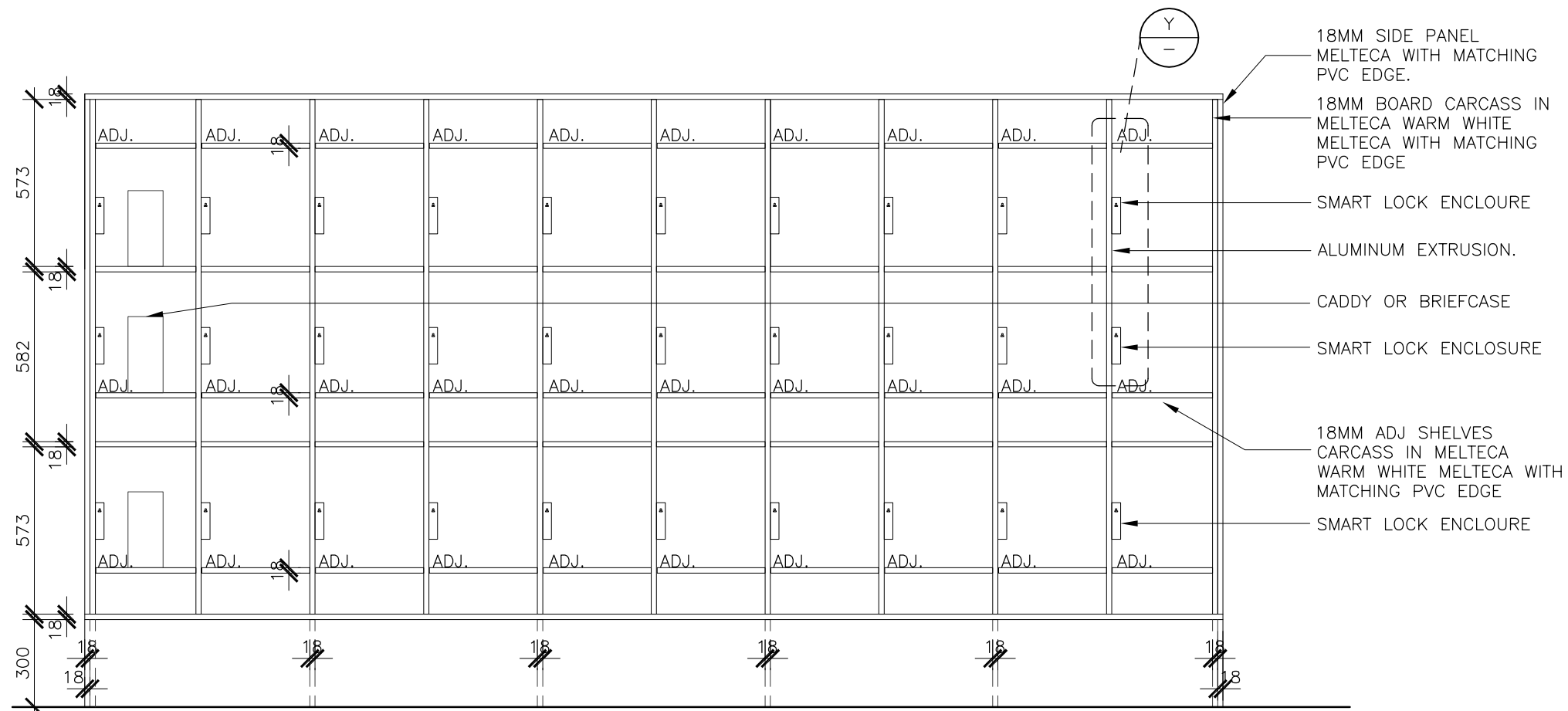
1 PLAN VIEW

SCALE 1:20@A3



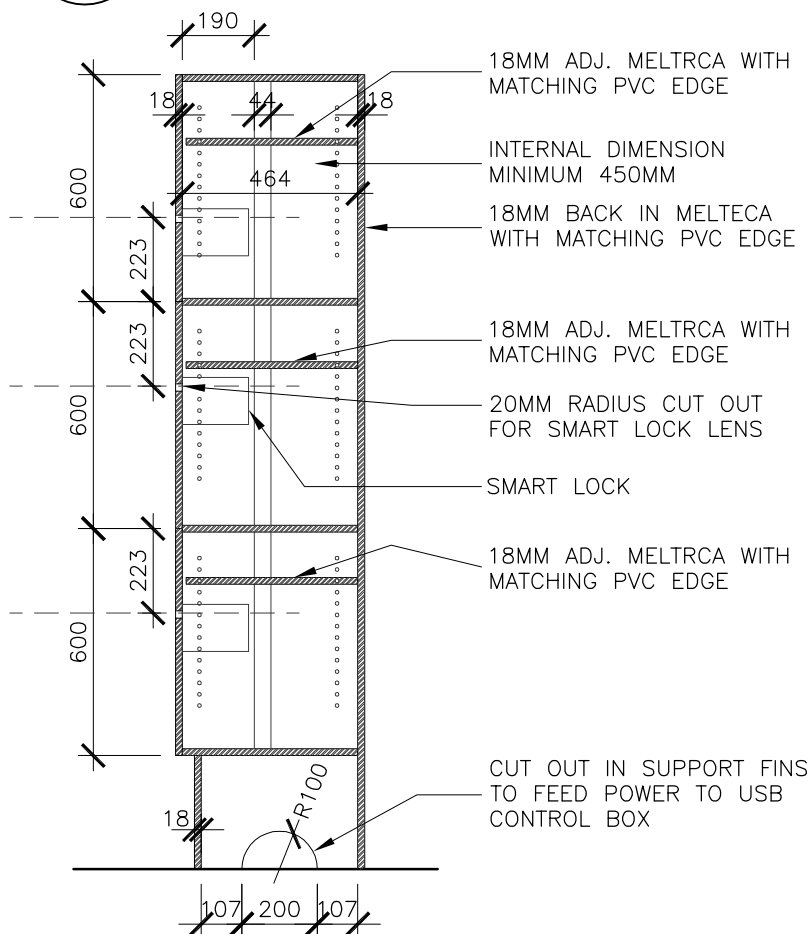
2 FRONT - SHOWING DOORS

SCALE 1:20@A3



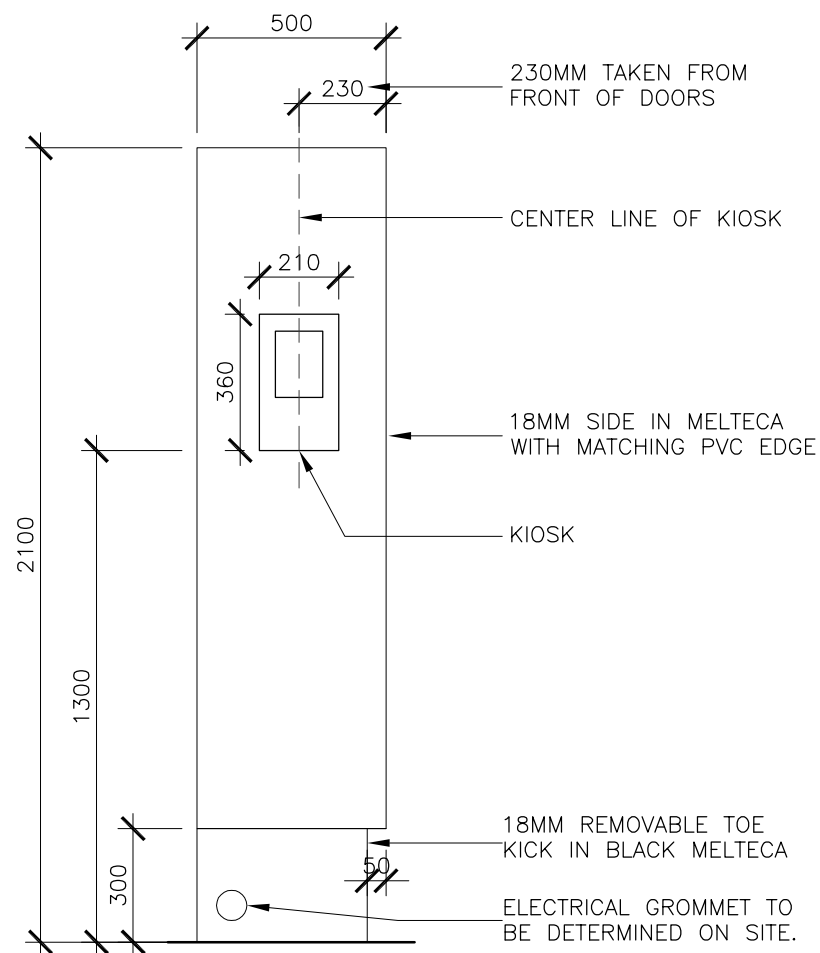
2 INTERNAL ELEVATION

SCALE 1:20@A3



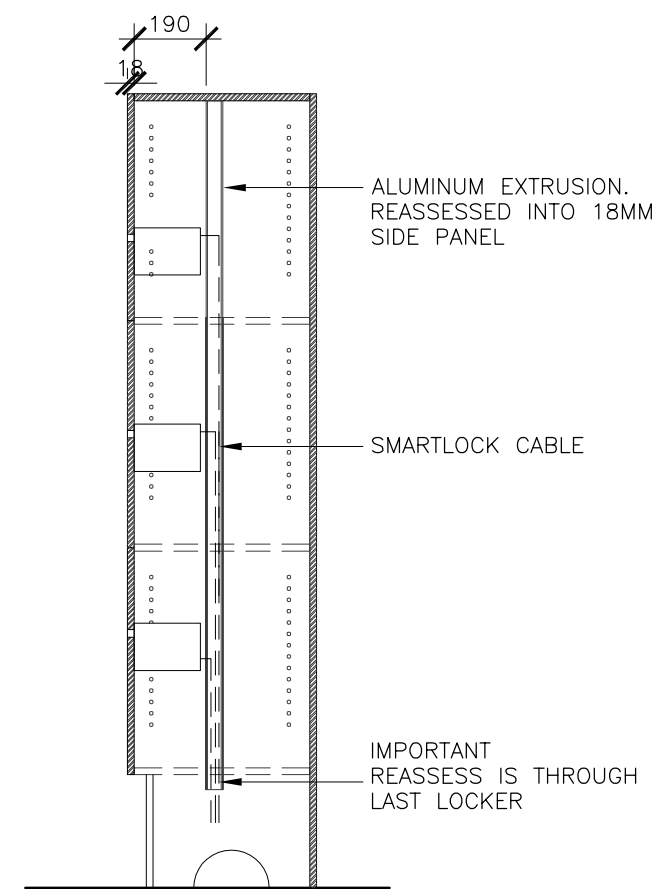
B SECTION

SCALE 1:20@A3



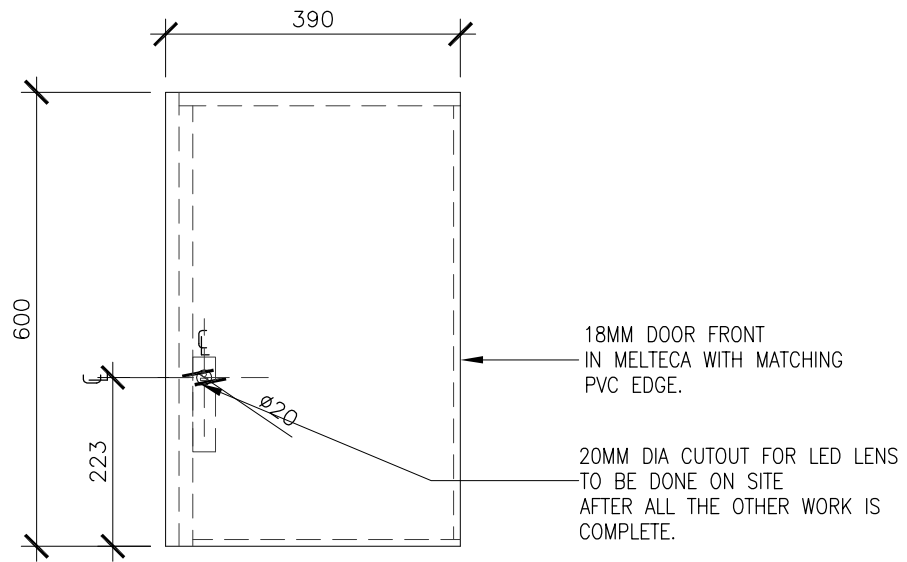
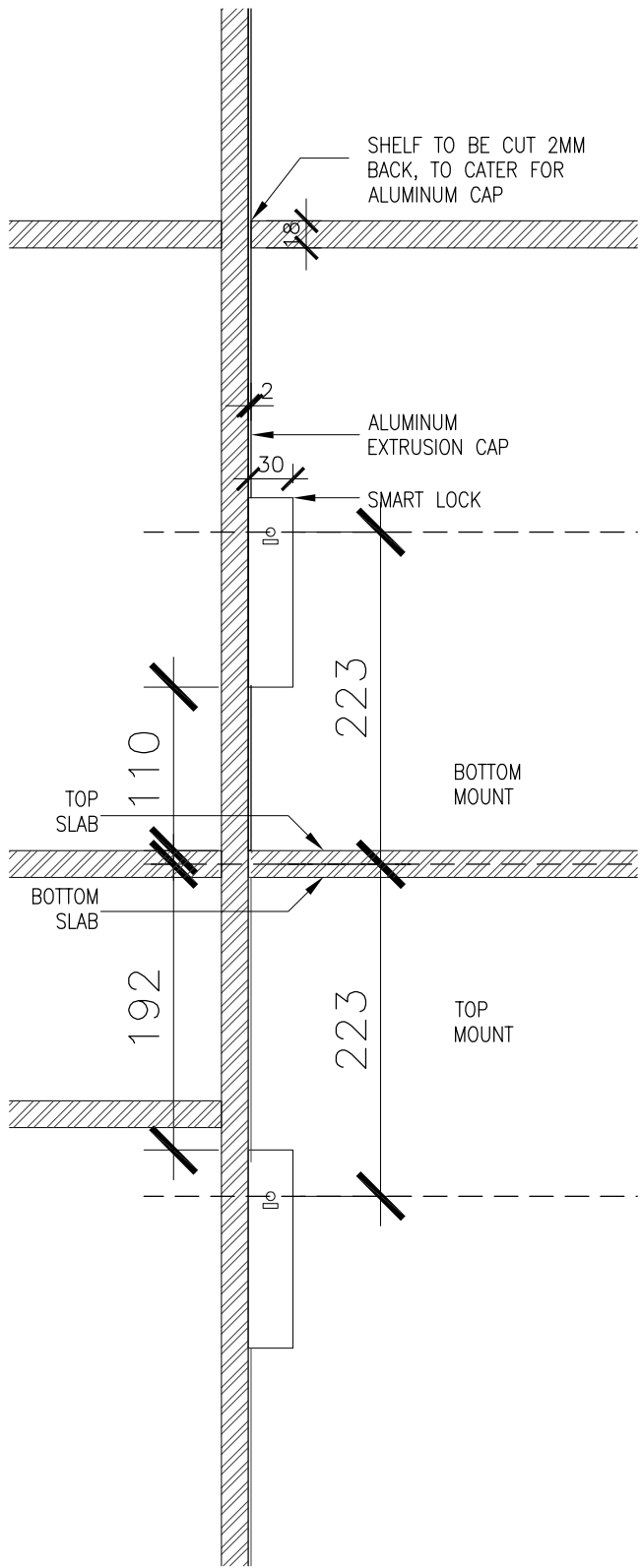
3 SIDE

SCALE 1:20@A3

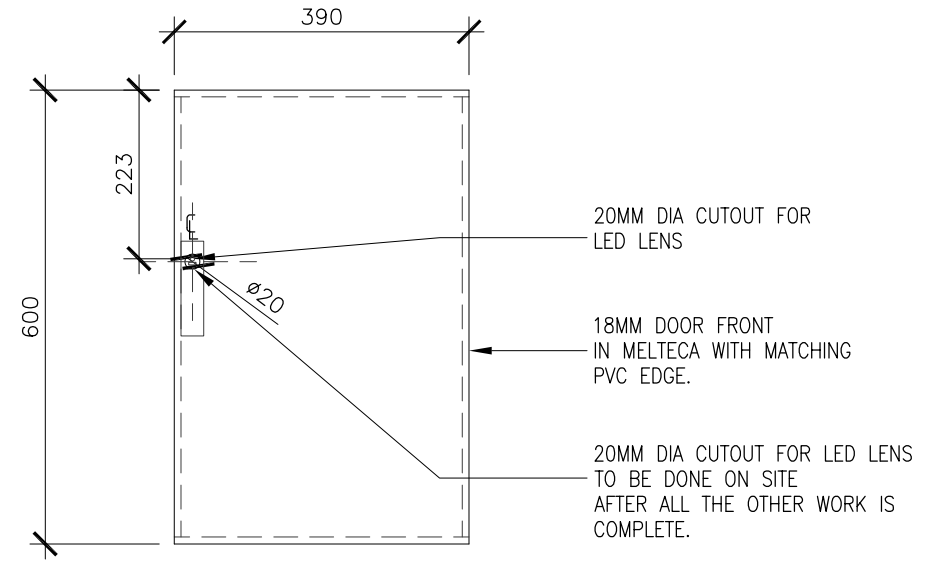


A SECTION

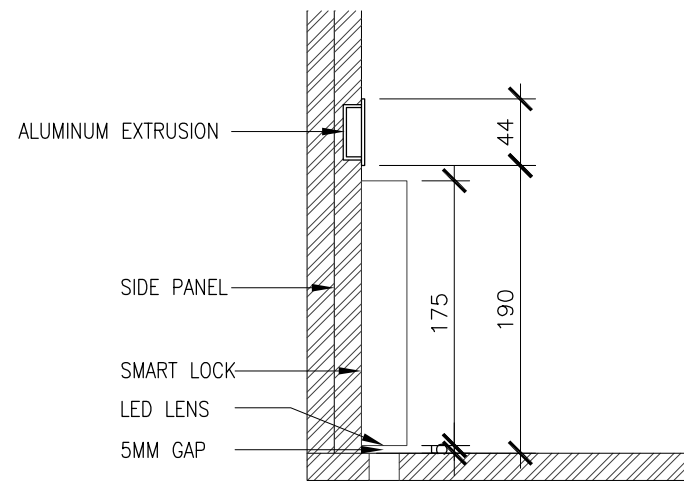
SCALE 1:20@A3



W DETAIL – DOOR A
SCALE 1:5@A3



X DETAIL – DOOR B
SCALE 1:5@A3



Z DETAIL
SCALE 1:5@A3

FINISHES LEGEND

DOOR FRONTS:
18MM MELAMINE, WITH MATCHING PVC EDGE.

INTERNAL CARCASE:
18MM MELTECA WARM WHITE FINISH, WITH MATCHING PVC EDGE.

KICK PLATE:
18MM MDF WITH FORMICA BLACK

CONSTRUCTION:

- GENERALLY 18MM MR MELTECA TO CARCASES.
- DOOR HINGES – FULL OVERLAY – NEUTRAL UNSPRING
- 18MM MELTECA BACK.

Y DETAIL
SCALE 1:5@A3