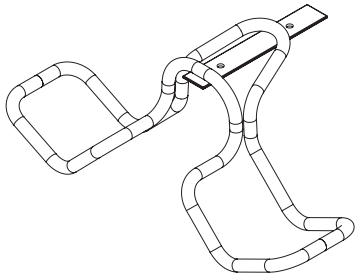


### Part List



M5 X 8 x 2

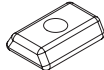


x 2

M5

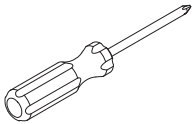


x 2



x 2

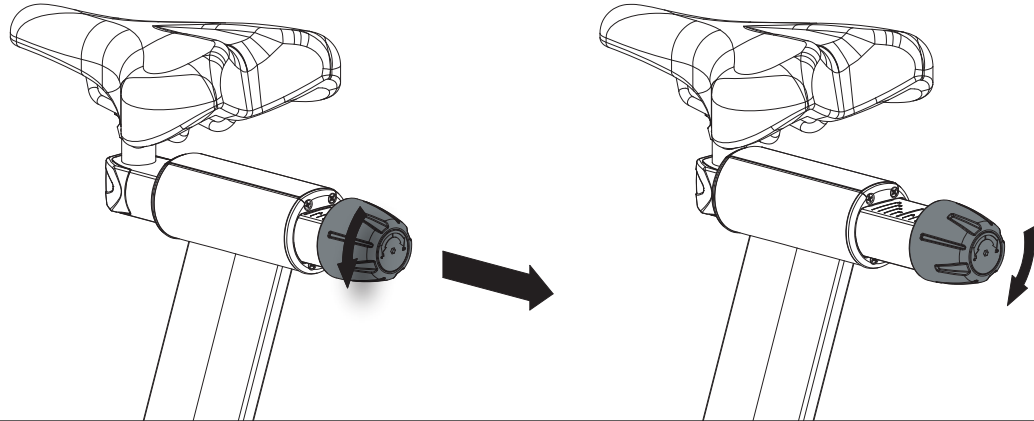
### Tools Required



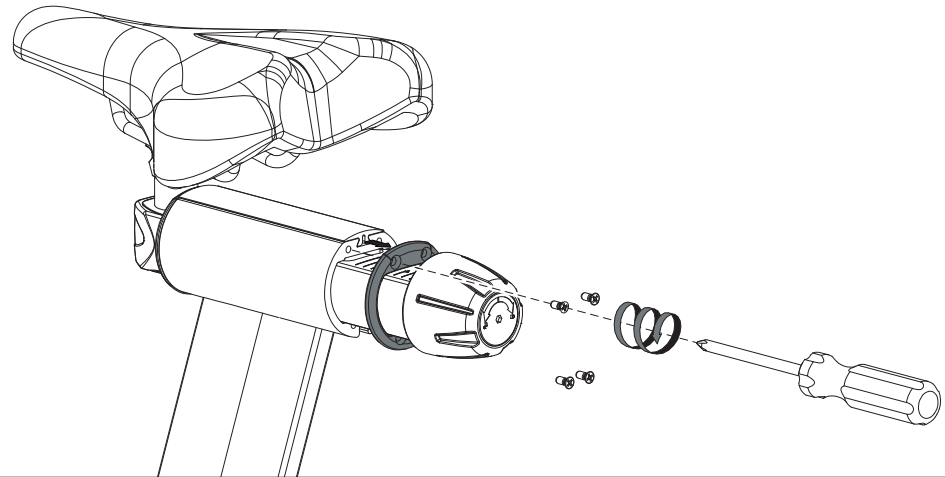
3MM



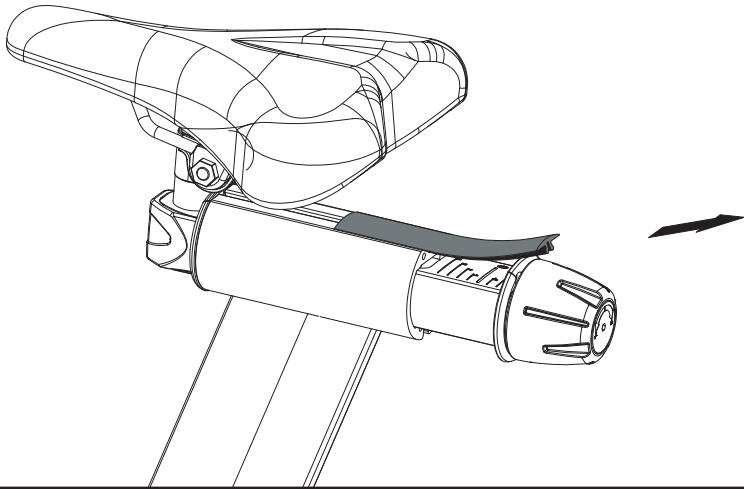
1.



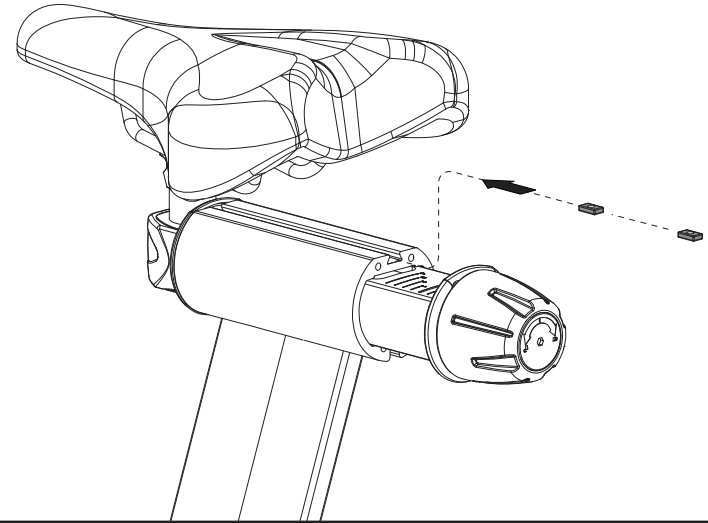
2.



3.

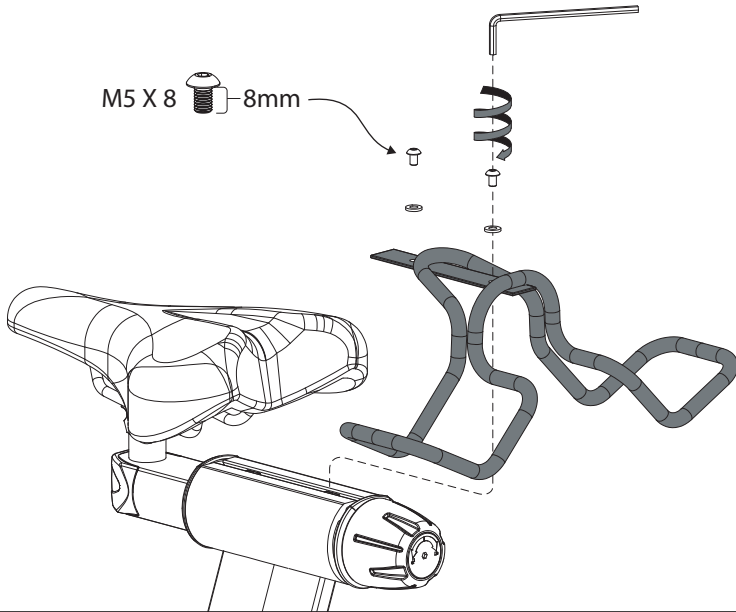


4.



5.

M5 X 8  8mm



6.

