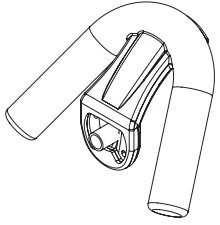


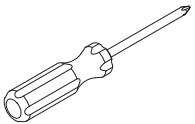
STAGES CYCLING Aerobar Installation Guide

Part List

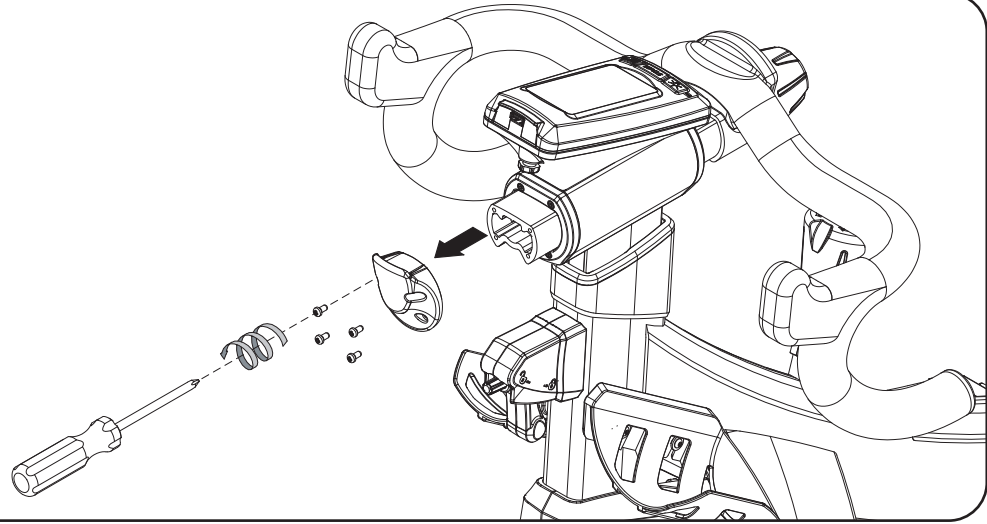


M4 X 12  x 4


Tools Required



1.



2.

M4 X 12  12mm

