

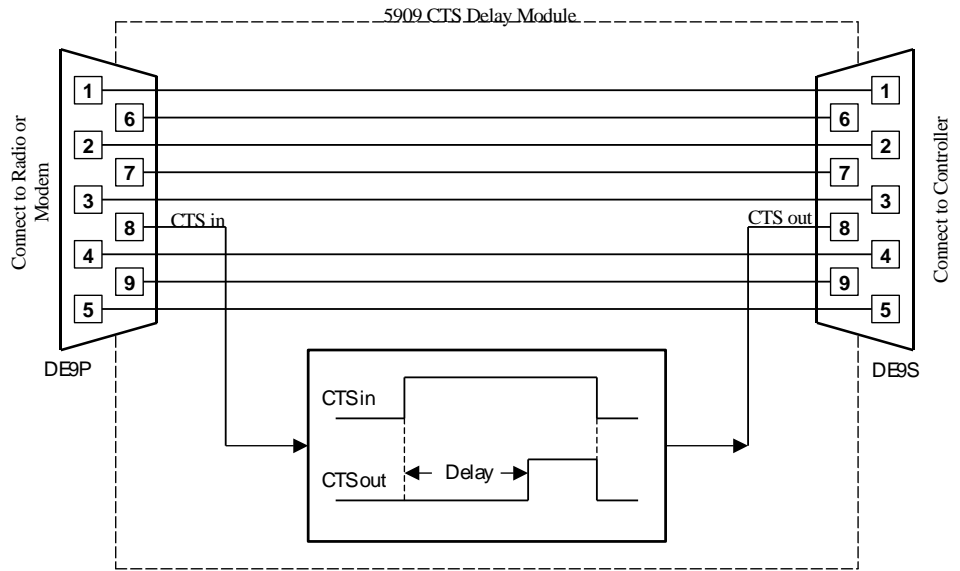
Data Sheet

Model 5909 CTS Delay Module

Operation and Installation

The 5909 CTS Delay module provides a delay in the assertion of the CTS signal. This delay is adjustable from 25 ms to 1 second by using three dip-switches. The de-assertion of the CTS signal is not delayed. All of the remaining signals are unaffected and are connected directly through the 5909 module. The 5909 module requires 5V, supplied by pin 9 on the controller.

The DE9S connector must be plugged directly into the D-connector on the controller. The CTS output is not capable of driving a cable. The CTS output is compatible with the RS-232 receivers used in Control Microsystems controllers.



If you have questions contact the Control Microsystems Technical Support department at 613-591-1943 or 888-226-6876 (888-2CONTROL).

Delay Settings

The 5909 can delay the assertion of the CTS signal for 8 possible times ranging from 25 ms to 1 second. The figure shows the switch settings for all 8 possible delays.

<p>25ms delay</p> <p>1 2 3 4</p> <p>--OPEN--</p>	<p>50ms delay</p> <p>1 2 3 4</p> <p>--OPEN--</p>	<p>75ms delay</p> <p>1 2 3 4</p> <p>--OPEN--</p>	<p>100ms delay</p> <p>1 2 3 4</p> <p>--OPEN--</p>
<p>250ms delay</p> <p>1 2 3 4</p> <p>--OPEN--</p>	<p>500ms delay</p> <p>1 2 3 4</p> <p>--OPEN--</p>	<p>750ms delay</p> <p>1 2 3 4</p> <p>--OPEN--</p>	<p>1000ms delay</p> <p>1 2 3 4</p> <p>--OPEN--</p>

How to Set the Delay:

- Determine the required delay.
- Press down on the dipswitch on the side of the switch as indicated in gray above.

Note: Switch 1 is not used.