



# APOLLO W6005C(ACC03720)

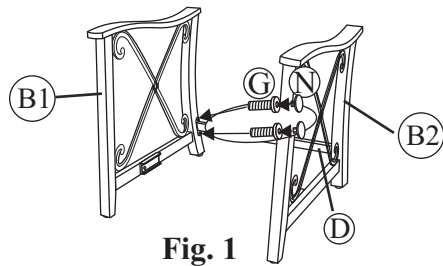
## ALUM CUSHION STAT SPRING CHAIR RUSSET FINISH

**IMPORTANT!! PLEASE READ ENTIRE INSTRUCTION SHEET BEFORE ASSEMBLY!!  
TO EXPEDITE ANY FUTURE WARRANTY CLAIMS, PLEASE KEEP INSTRUCTION SHEET,  
WARRANTY CARD AND RECEIPT**

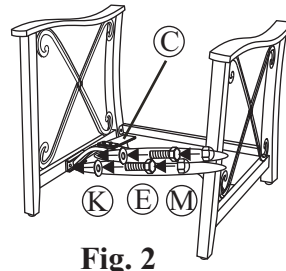
**Step 1:** Identify all parts packed in the carton against the parts list. Remove all protective materials. Place parts on a non-abrasive surface to avoid scratching. If you are missing any parts or are unsure how to proceed with the assembly, please call your local casual classics dealer. **Do not attempt assembly if any parts are missing or damaged.**

**Step 2:** Attach the leg support to the left leg by using two 1/4"x20 mm bolts(G) and washers as shown in **Fig.1**. Guide the bolts through the holes in the leg support, then into the pre-drilled holes in the left leg. **Hand tighten only 2-3 turns.** Repeat for the right leg.

**Step 3:** Attach the support bar to the right leg by using two 1/4"x20 mm bolts(E) and washers as shown in **Fig.2**. Guide the bolts through the holes in the support bar, then into the pre-drilled holes in the right leg. **Hand tighten only 2-3 turns.** Repeat for the left leg.

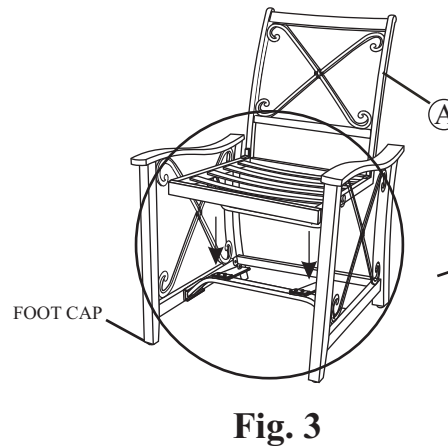


**Fig. 1**

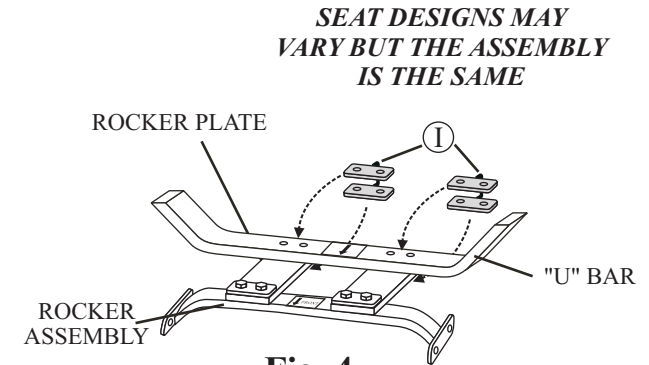


**Fig. 2**

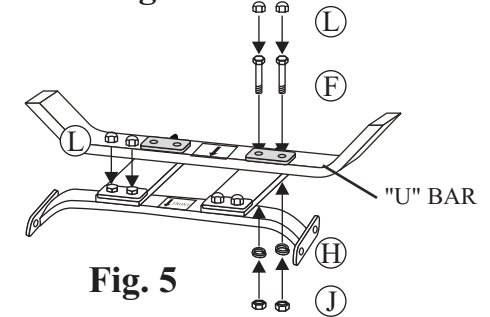
**NOTE: MAKE SURE ARROWS FROM BOTH THE "U" BAR AND ROCKER ASSEMBLY ARE POINTING IN THE SAME DIRECTION!**



**Fig. 3**



**Fig. 4**



**Fig. 5**

**Step 4:** At this time make any adjustments to alignment of all parts. Tighten all bolts a few revolutions at a time, alternating between bolts until tightened. **Do not over tighten. Over tightening may strip bolts.**

**Step 5:** Set the chair frame on the rocker assembly with front of the seat facing you and the arrows on the "U" bar pointing towards you as shown in **Fig.3**. This is very important for a safe, balanced rocking motion. **If chair frame has been properly positioned on the rocker assembly, all arrows on the "U" bar and rocker assembly will be pointing in the same direction.**

**Step 6: Critical Step: The "U" metal plates must be installed in the proper location. Read this step and carefully examine.** Align the holes in the "U" bar with the holes in the support bar. Insert a "U" metal plate as shown in **Fig.4**. Then guide the 5/16"x43mm bolts through the holes in the "U" metal plate, "U" bar, and support bar from the top side of "U" metal plate. Add a spring washer and a nut to each bolt as shown in **Fig.5**. **Hand tighten only.** Repeat the same procedure on the other side.

**CAUTION: Failure to place "U" metal plates under the rocker plates and above the "U" bar exactly as shown in diagram will cause the bolt heads and nuts to damage the structure of the rocker plates and the "U" bar. Damage due to over tightening of bolts or improper assembly could cause injury and may void your warranty.**

**Step 7:** Tighten all nuts and bolts with the hex wrenches provided. **Do not over tighten.** Remove arrow labels from "U" bar and rocker assembly. Cover all bolts with bolt covers. Your chair is ready for use.

**IMPORTANT NOTE: Damage to welds or frames resulting from over tightened bolts or improper assembly is not covered under our warranty. Please read all instructions carefully before assembly. If you have any questions regarding your assembly, please call your local casual classics dealer.**

\* NOTE: PARTS SHOWN ON PARTS LIST ARE NOT TO SCALE

	PARTS LIST	DESCRIPTION	ORDER PART #	QTY
A		CHAIR FRAME	AR19858	1
B1		LEFT LEG	AR19859	1
B2		RIGHT LEG	AR19860	1
C		SUPPORT BAR	AR19861	1
D		LEG SUPPORT	AR19862	1
E		1/4" X 20 MM BOLT	HW0465	4
F		5/16" X 43 MM BOLT	HW0450	4
G		1/4" X 20 MM BOLT	HW0036	4
H		Ø8.0 X 2.3 MM SPRING WASHER	HW0003	4
I		"U" METAL PLATE	HW0299	2
J		5/16" NUT	HW0015	4
K		Ø6.5 X 1.0 MM WASHER	HW0004	4

	PARTS LIST	DESCRIPTION	ORDER PART #	QTY
L		BOLT COVER	HW0028	8
M		BOLT COVER	HW0442	4
N		BOLT COVER	HW0022	4
O		HEX WRENCH	HW0008	1
P		HEX WRENCH	HW0007	1
Q		HEX BOLT DRIVER	HW0006	1
		ROCKER PLATE FACTORY ASSEMBLY	G0314	2
		FOOT CAP FACTORY ASSEMBLY	FC0030	4