

BASICS W6000SQET(APQ08215)
SQUARE END TABLE RUSSET FINISH

IMPORTANT!! PLEASE READ ENTIRE INSTRUCTION SHEET BEFORE ASSEMBLY!!
TO EXPEDITE ANY FUTURE WARRANTY CLAIMS, PLEASE KEEP INSTRUCTION SHEET,
WARRANTY CARD AND RECEIPT

Step 1: Remove all protective materials and set parts on a flat, non-abrasive surface. Identify parts packed in carton against the parts list. If you are missing any parts or are unsure how to proceed with assembly, please call your local casual classics dealer. **Do not attempt assembly if any parts are missing or damaged.**

Step 2: Place the table top upside down on a flat, non-abrasive surface. Attach the table leg to the table rim by using a 1/4"x18 mm bolt and washer as shown in **Fig.1**. Guide the bolt through the hole in the table rim corner bracket and into the pre-drilled hole in the table leg. **Hand 2-3 turns tighten only.** Repeat for the other three legs.

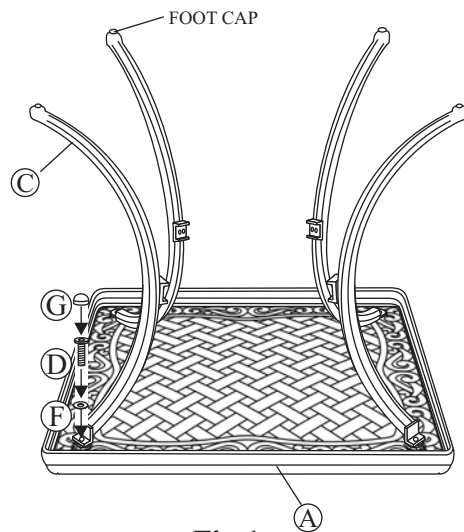


Fig.1

Step 3: Build the leg assembly. Attach the legs to the leg connector bracket by using the 1/4"x28 mm bolts and washer as shown in **Fig.2**. Guide these bolts through the holes in the leg connector bracket, and then into the fixed nuts already in place in the legs. **Hand tighten only.** Repeat this procedure on the other three legs.

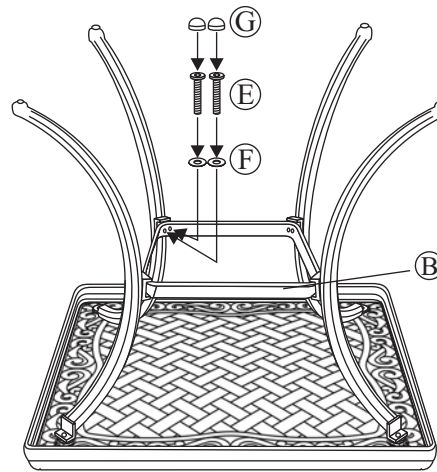








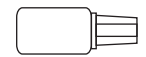



Fig.2

Step 4: After making any necessary adjustments to the alignment of the table legs and the leg connector bracket, use the hex bolt driver to tighten all bolts. **Note:** each bolt must be tightened a few revolutions at a time. In order to apply equal pressure to all bolt joints, we recommend working in a cross corner (X fashion). Repeat until all bolts are tight. **Do not over tighten.** Over tightening may strip bolts. Cover all bolts with covers.

Step 5: With the help of another person, turn the table in the upright position. Your table is now ready for use.

IMPORTANT NOTE: Damage to welds or frames resulting from over tightened bolts or improper assembly is not covered under our warranty. Please read all instructions carefully before assembly. If you have any questions regarding your assembly, please call your local casual classics dealer.

	PARTS LIST	DESCRIPTION	ORDER PART #	QTY
A		TABLE TOP	AT71624	1
B		LEG CONNECTOR BRACKET	AT71625	1
C		TABLE LEG	AT71626	4
D		1/4" X 18 MM BOLT	HW0035	4
E		1/4" X 28 MM BOLT	HW0084	8
F		Ø6.5 X 1.0 MM WASHER	HW0004	12
G		BOLT COVER	HW0105	12
H		HEX BOLT DRIVER	HW0006	1
I		TOUCH-UP PAINT	G0003	1
		FOOT CAP FACTORY ASSEMBLY	FC0007	4