



LOWELL BAY W6003C(ACH09419) ALUM CUSHION C SPRING CHAIR RUSSET FINISH

**IMPORTANT!! PLEASE READ ENTIRE INSTRUCTION SHEET BEFORE ASSEMBLY!!
TO EXPEDITE ANY FUTURE WARRANTY CLAIMS, PLEASE KEEP INSTRUCTION SHEET,
WARRANTY CARD AND RECEIPT**

IMPORTANT NOTE: Your seat may appear to be slightly warped. This is not unusual. Proper assembly procedure will straighten out the seat in the frame. There are four bolts used to attach the seat frame to the seat base. After inserting all the bolts, each of these bolts must be tightened a few revolutions at a time in rotation.

Step 1: Identify all parts packed in the carton against the parts list. Remove all protective materials. Set parts on a flat, non-abrasive surface to avoid scratching. If you are missing any parts or are unsure how to proceed with assembly, please call your local casual classics dealer. **Do not attempt to assemble chair if any parts are missing or damaged.**

IMPORTANT NOTE: Assembling this chair requires attaching the chair frame to the chair base. We recommend two people work together to assemble the chair since it is critical that all the holes in the chair frame are aligned exactly with the holes in the chair base. All bolts need to be inserted and tightened into the fixed nuts in a straight and direct path. Inserting the bolts at even the slightest angle could strip the nuts and bolts, damaging the entire chair.

Step 2: Working from behind the chair, have another person stand in front of the chair and position the chair frame in between the arms of the chair base as shown **Fig.1** so that the holes on both sides of the upper portion of the chair frame back align with the fixed nut holes in the chair base.

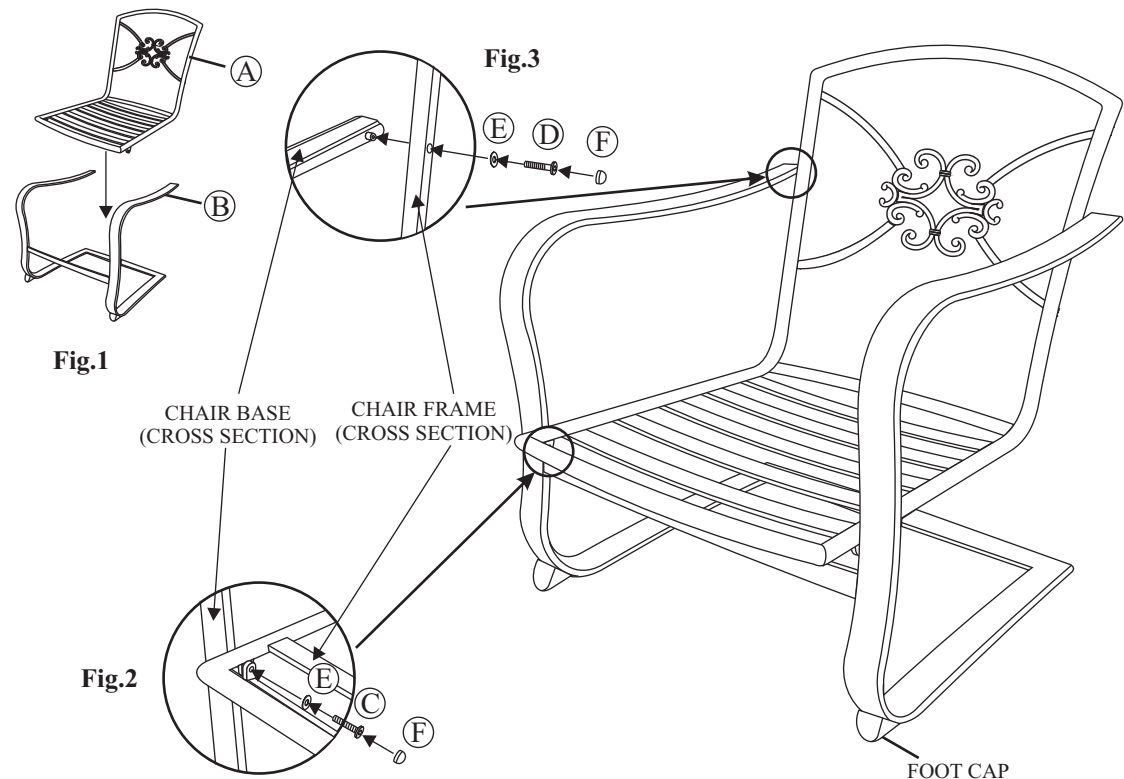
Step 3: Working from the underside of the front of the chair, insert a short bolt with a washer through the chair frame and into the fixed nut holes in the chair base as shown in **Fig.2**. **Hand tighten 3-4 revolutions only. DO NOT TIGHTEN COMPLETELY.** Repeat for opposite side.

Step 4: From behind the chair, insert a long bolt with a washer through the hole on one side of back portion of the chair frame and into the fixed nut hole in the back arm portion of the chair base as shown **Fig.3**. Make sure the bolt is inserted exactly straight! **Hand tighten 3-4 revolution only. DO NOT TIGHTEN COMPLETELY.** Repeat for opposite side of chair.

Step 5: Tighten all bolts with the allen wrench. Each bolt must be tightened a 3-4 revolutions at a time. Begin with top left bolt. Move to bottom right bolt then to top right bolt, followed by bottom left bolt. Repeat this "X" pattern until all bolts are tight. **DO NOT OVER TIGHTEN BOLTS.** Over tightening may strip bolts or nuts, damaging the entire chair. Cover all bolts with bolt covers.

Step 6: Examine the chair from the front. If the chair frame does not appear straight or even in the chair base, repeat steps 2-5. Put the cushion on the chair frame. Your chair is now ready for use.

IMPORTANT NOTE: Damage to frames or spring plates resulting from not FULLY tightening the bolts is not covered under warranty. Please read all instructions carefully before assembly. If you have any questions regarding your assembly, please call your local casual classics dealer.



* NOTE: PARTS SHOWN ON PARTS LIST ARE NOT TO SCALE

	PARTS LIST	DESCRIPTION	ORDER PART #	QTY		PARTS LIST	DESCRIPTION	ORDER PART #	QTY
A		CHAIR FRAME	AH1278	1	E		Ø6.5 X 1.0 MM WASHER	HW0004	4
B		CHAIR BASE	AH1279	1	F		BOLT COVER	HW0105	4
C		1/4" X 30 MM BOLT	HW0038	2	G		HEX BOLT DRIVER	HW0006	1
D		1/4" X 42 MM BOLT	HW0039	2			FOOT CAP FACTORY ASSEMBLY	FC0010	4