



CAYSIDE/VERONA W6001CHASE/W6002CHASE(ADH12302)
SLING CHAISE LOUNGE RUSSET FINISH
IMPORTANT!! PLEASE READ ENTIRE INSTRUCTION SHEET BEFORE ASSEMBLY!!
TO EXPEDITE ANY FUTURE WARRANTY CLAIMS, PLEASE KEEP INSTRUCTION SHEET,
WARRANTY CARD AND RECEIPT

Important Note: The basic assembly of the chaise lounge is to attach the back frame to the seat frame. We recommend two people work together to line up the holes on the back frame with the fixed nut holes on the seat frame to ensure the bolts are on a straight, direct path. Starting the bolts at an angle could cause cross threading which will ruin the entire lounge frame.

** NOTE: PARTS SHOWN ON PARTS LIST ARE NOT TO SCALE*

Step 1: Identify all parts packed in the carton against the parts list. Remove all protective materials. Set the parts on a flat, non-abrasive surface. If you are missing any parts or are unsure as how to proceed with the assembly, please call your local Casual Classics Dealer. **Do not attempt assembly if any parts are missing or damaged.**

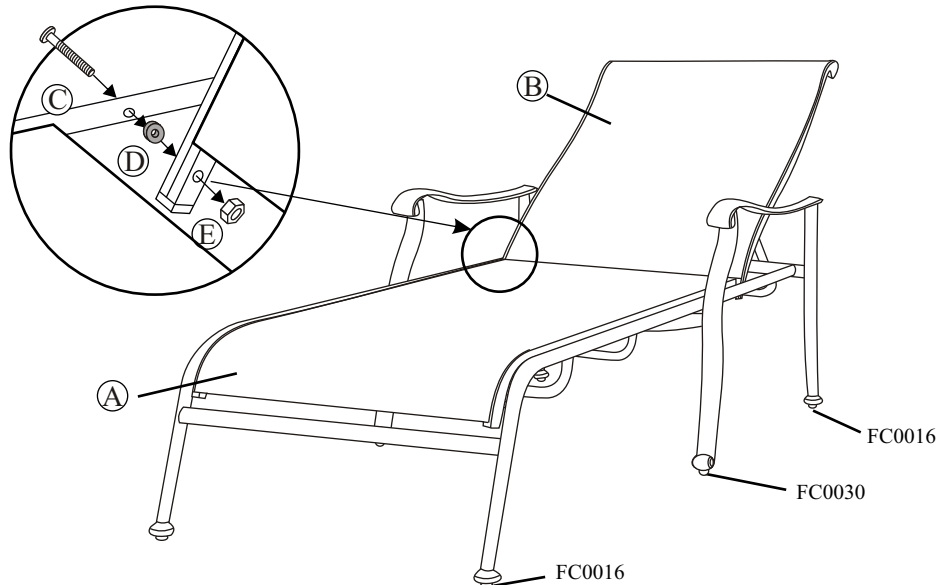
Step 2: From behind the chaise lounge, guide a bolt from the outside of the lower sling seat frame through the hole. Add a plastic washer and guide it through the hole in the lower portion of the sling back frame as shown in the diagram. Add a nut to the end of the bolt. **Hand tighten only.** Do not tighten completely at this time. Repeat on the opposite side.

Step 3: Using the hex wrench provided, tighten all bolts. Tighten each bolt a few revolutions at time, alternating back and forth between the two bolts until they are completely tightened. It is important to alternate between bolts to ensure your back frame and sling seat frame are even. **Do not over tighten.** Over tightening could damage the threads on the bolts or nuts.

Step 4: Examine the chaise lounge from the front. The back frame should look square and be tight. If the back frame appears uneven or warped, loosen the bolts and repeat steps 2 & 3.

Step 5: Your chaise lounge should be ready for use. If you do not feel that your chaise lounge is sitting properly, double-check your assembly procedure.

IMPORTANT NOTE: Damage to welds or frames resulting from over tightened bolts or improper assembly is not covered under our warranty. Please read all instructions carefully before assembly. If you have any questions regarding your assembly, please call your local Casual Classics Dealer.



	<u>PARTS LIST</u>	<u>DESCRIPTION</u>	<u>ORDER PART #</u>	<u>QTY</u>
A		SLING SEAT FRAME	AL1515	1
B		SLING BACK FRAME	AL1516	1
C		1/4 " X 65 MM BOLT	HW0068	2
D		Ø12 X Ø6.5 X 9 MM PLASTIC WASHER	HW0031	2
E		1/4" NUT	HW0014	2
F		HEX WRENCH	HW0009	1
G		HEX BOLT DRIVER	HW0006	1
		ADJUSTMENT BAR FACTORY ASSEMBLY	AL1517	1
		ADJUSTMENT BAR PROTECTIVE CAP FACTORY ASSEMBLY	HW0509	2
		ADJUSTMENT BAR WASHER FACTORY ASSEMBLY	HW0510	2
		1/4 " X 50 MM BOLT FACTORY ASSEMBLY	HW0823	2
		PROTECTIVE CAP FACTORY ASSEMBLY	HW0078	2
		SLING TUBE CAP FACTORY ASSEMBLY	FC0427	4
		SLING TUBE CAP FACTORY ASSEMBLY	FC0019	4
		FOOT CAP FACTORY ASSEMBLY	FC0030	2
		FOOT CAP FACTORY ASSEMBLY	FC0016	4