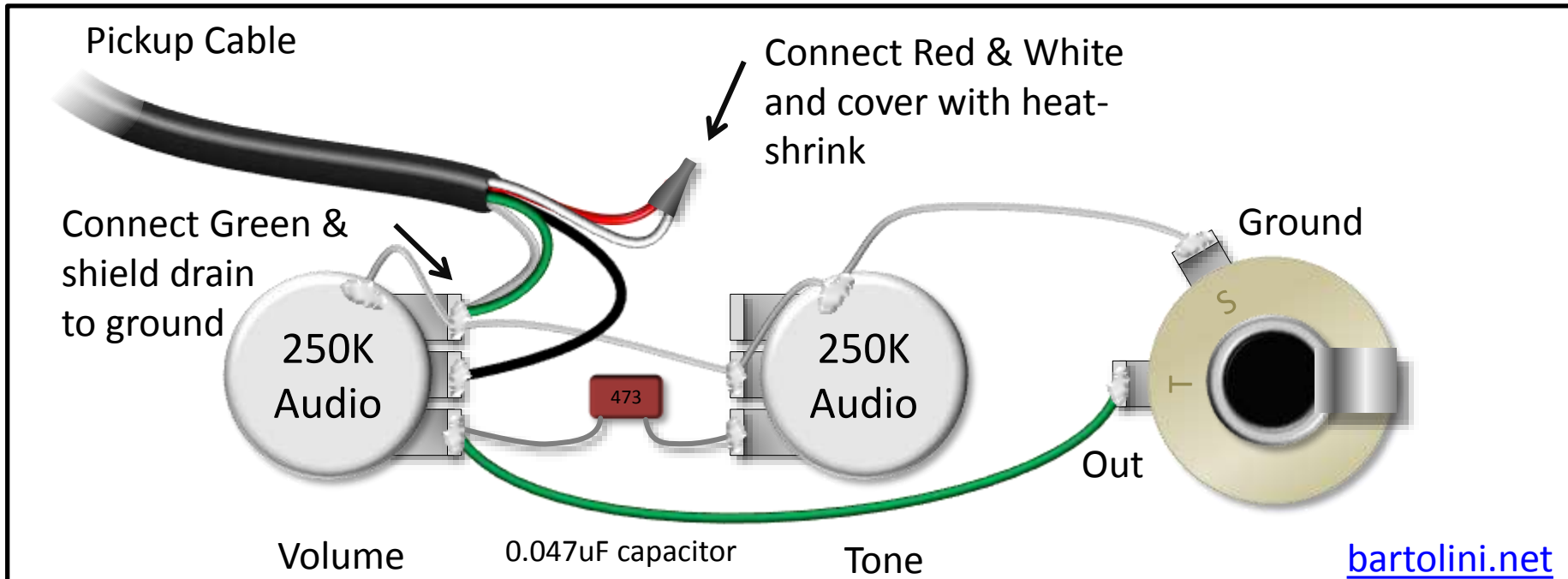
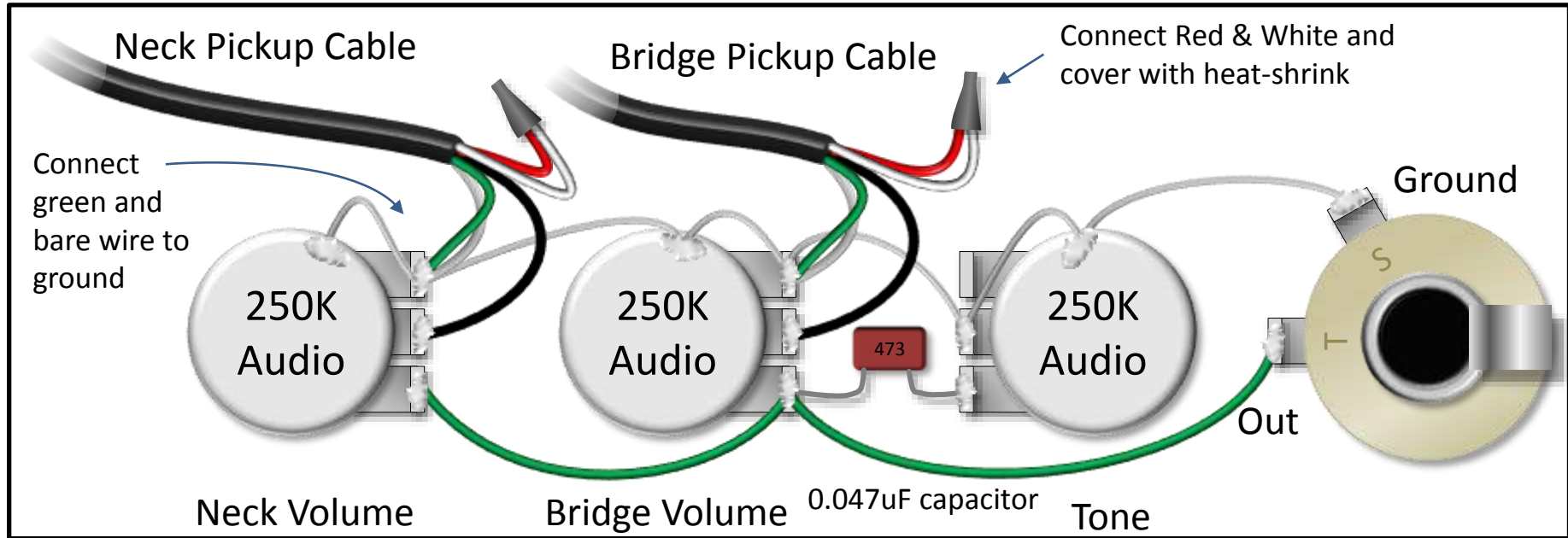


Bartolini pickups are precision magnetic transducers designed and built to bring out the fullest response from electric guitars and basses. They are hand assembled in California from quality materials and carry a 1 year warranty against defects in materials and workmanship.

Most Bartolini pickups can be used with standard passive tone and volume controls. The diagram below is a very simple setup for passive tone and volume with a pickup using 4-conductor cable. This will connect the pickup coils in series for fullest output. A capacitor of lower value will provide brighter tone. For basses, common values are between 0.047uf (darkest tone) and 0.022uf (brightest tone).



The diagram below is a very simple setup for passive tone and volumes for two pickups using 4-conductor cable.



The diagram at right shows how to connect 2 pickups to a blend pot as part of a Bartolini pre-wired harness.

