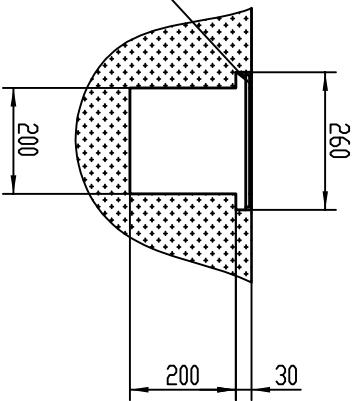


- unit : millimeter
- oil chiller / water recycle system is an optional part.
- The dimension includes the extra space for the machine.
- Power Supply: 480V AC, 60HZ, 100Amps, 3ph
- Air Supply(Requires dry air): 85PSI, 95gal/min
- Water Supply(Requires clean water):
 i. Cutting water: 40psi - 120psi.
 Total Dissolved Solids(TDS) should be less than 100ppm
 ii. Cooling water: >8gal/min
- Flat floor
- Height clearance : 14 feet

Supporter can be angle steel or round steel



A-A
1:10

