



Shangri-La

FLYSHEET FIRST PITCHING/COMBINED PITCHING

- Unpack and position the tent in the required direction.
- Peg out the 4 corners using the pegs supplied.
- Locate inflating points at the base of each beam.
- Access the beams through the zipped entry points and through the side door.
- For the first use of the tent, fully unscrew all valves from the AirBeams and screw back in carefully - this ensures that the valve is not cross-threaded.
- Remove smaller screw-cap on valve and insert largest pump nozzle of the Vango AirBeam™ pump supplied.
- Inflate all tubes to **7psi**. The tubes **MUST** be guided into an arch as they are inflated.
- Final tube pressure **MUST NOT** exceed 8psi.

DO NOT OVER-INFLATE THE BEAMS

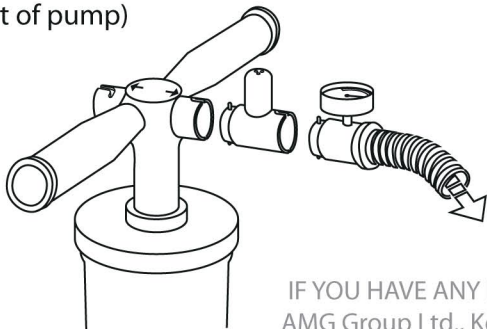
- Start with the centre tube and guide the beam into an upright position while it is inflating.
- Inflate the other beams.
- Remove pump and tighten screw-cap. Ensure both parts of valve are well fitted so it is air tight but do not over tighten.
- Ensure the tent is in a straight line. The groundsheet should be flat and wrinkle free.
- Secure the tent by pegging out the sides using all the pegging points available.
- Peg out **ALL** the guy lines, ensuring that they are in line with the beam or seam they are attached to.
- Re-position and adjust tensioning where necessary.

SIDE DOOR COVER

- Once the tent is pitched, detach the ends of the side door cover AirBeam from the velcro on the tent.
- Place the pump on the ground and stretch the hose up to the valve.
- Inflate the beam to 5psi.
- Screw the valve cap on tightly and reattach the AirBeam ends to the corresponding velcro on the tent.

CORRECT PUMP SETUP

Pump Body -> Pressure Valve -> Pressure Gauge -> Hose
(Ensure Valve/Gauge/Hose are connected to Inflation port of pump)



INNER ATTACHMENT

- Open out inner tents inside flysheet and position doorway to correspond with the living area.
- Starting from the rear corners of the tent, attach the hooks on the inner groundsheet to corresponding rings on the tent groundsheet.
- Suspend the inner by attaching toggles of inner tent through rings on inside of flysheet. Do the rear first and work forward.

TENSION BAND SYSTEM

- When required, remove Tension Band System from pockets and clip into the buckles in the ceiling of the tent.
- Adjust the straps until they are taut but do not over-tension.

TO DEFLATE THE AIRBEAM TENT

- Unscrew the valve fully from the beam, taking care as the valve will be under pressure from the air inside the tube.

IN THE UNLIKELY EVENT OF A PUNCTURE

- Note: Most apparent punctures are a result of the valve not being screwed in correctly. Please check valves before changing AirBeam tube.
- Deflate the AirBeam. Unzip the internal flysheet sleeve which contains the affected beam.
- Remove the tube and its protective outer.
- The zips for the protective outer are cable tied together to prevent accidental access. Cut the cable tie and open the zip. **DO NOT** open these zips when tube is inflated.
- Remove the clear rubberised tube from the protective sleeve taking care when removing the valve from the sleeve.
- Partially inflate the tube and pass through a bucket or basin of water, looking for air bubbles. This will indicate location of puncture.
- Use the repair patch provided and cover hole, using instructions on patch. Re-insert tube into protective outer, closing zip from both ends, so that zip pullers are in the centre of the sleeve, and then replace into the flysheet sleeve. (This may be easier with the tube partially inflated)

IF YOU HAVE ANY PROBLEMS PLEASE CONTACT YOUR LOCAL RETAILER or
AMG Group Ltd., Kelburn Business Park, Port Glasgow, Scotland. PA14 6TD.

UK Consumer Hotline: 0844 811 0535

E-Mail: info@vango.co.uk

Calls to our Customer Hotline cost 5p per minute. Calls from mobile phones, cable networks or public payphones will generally cost more.