

Model Name : PFXGP4601TADR  
 PFXGP4501TADR  
 PFXGP4401TADR  
 PFXGP4301TADR



GP-4401T (Rear Mount Model)



### - Model Name Format

PFXGP4 * 01TADR									
(1)		(2)		(3)		(4)		(5)	
6	12.1"	T	TFT color LCD	A	Analog Touch Panel	D	DC type power supply	R	Rear Mount Model
5	10.4"								
4	7.5"								
3	5.7"								

### - General Specification

	GP-4601T	GP-4501T	GP-4401T	GP-4301T
Model Number	PFXGP4601TADR	PFXGP4501TADR	PFXGP4401TADR	PFXGP4301TADR
Certifications and Standards				
Rated Input Voltage	24 Vdc			
Input Voltage Limits	19.2...28.8 Vdc			
Allowable Voltage Drop	10 ms or less	5 ms or less		
Power Consumption	17 W or less	12 W or less		10.5 W or less
In-Rush Current	30 A or less			
Voltage Endurance	1,000 Vac, 20 mA for 1 minute (between charging and FG terminals)			
Insulation Resistance	500 Vdc, 10 MΩ or more (between charging and FG terminals)			
Surrounding Air Temperature	0...55 ° C (32 ° F...131 ° F)			
Storage Temperature	-20...60 ° C (-4...140 ° F)			
Surrounding Air and Storage Humidity	10...90% RH (Non condensing, wet bulb temperature 39° C [102.2 ° F] or less)			
Dust	0.1 mg/m3 (10-7 oz/ft3) or less (non-conductive levels)			
Pollution Degree	For use in Pollution Degree 2 environment			
Corrosive Gases	Free of corrosive gases			
Atmospheric Pressure (Operating Altitude)	800...1,114 hPa (2,000 m [6,561 ft] or lower)			
Vibration Resistance	IEC/EN 61131-2 compliant 5...9 Hz Single amplitude 3.5 mm (0.14 in.) 9...150 Hz Fixed acceleration: 9.8 m/s <sup>2</sup> X, Y, Z directions for 10 cycles (approx. 100 min)			
Concussion Resistance	IEC/EN 61131-2 compliant 147 m/s <sup>2</sup> , X, Y, Z directions for 3 times			
Noise Immunity	Noise Voltage: 1,000 Vp-p /Pulse Width: 1 μs/ Rise Time: 1 ns			
Electrostatic Discharge Immunity	Contact Discharge Method: 6 kV (IEC/EN 61000-4-2 Level 3)			
Grounding	Functional grounding: Grounding resistance of 100 Ω, 2 mm <sup>2</sup> (AWG 14) or thicker wire, or your country's applicable standard. (Same for FG and SG terminals)			
Structure	IP20*1			
Cooling Method	Natural air circulation			
Weight	≤ 2.8 kg (6.2 lb.) (including the installation fasteners)	≤ 2.3 kg (5.1 lb.) (including the installation fasteners)	≤ 1.4 kg (3.1 lb.) (including the installation fasteners)	≤ 1 kg (2.2 lb.) (including the installation fasteners)
External Dimensions	W302 x H228 x D56.6mm (W11.89 x H8.98 x D2.23 in.)	W259.7 x H201.5 x D57.6mm (W10.22 x H7.93 x D2.27 in.)	W204 x H159.4 x D60.4 mm (W8.03 x H6.28 x D2.38 in.)	W155.6 x H123.4 x D59.7 mm (W6.13 x H4.86 x D2.35 in.)
Panel Cut Dimensions*2	Standard Mount : W249.6 x H188.1mm (9.83 x 7.41 in.) Flat Mount: W289.4 x H214.4mm (11.39 x 8.44 in.)	Standard Mount : W214.8 x H162mm (8.46 x 6.38 in.) Flat Mount : W 241 x H188mm (9.49 x 7.4 in.)	Standard Mount : W155.3 x H117.4mm (6.11 x 4.62 in.) Flat Mount : W174.5 x H134.2mm (6.87 x 5.28 in.)	Standard Mount : W118.8 x H90mm (4.68 x 3.54 in.) Flat Mount : W143 x H109mm (5.63 x 4.29 in.)

\*1: Protection structure equivalent to IP65F can be expected if you affix the Overlay (sold separately) on the screen of the GP unit and the surroundings. Proface does not guarantee the protective structure.

Consider the protective structure in combination with a panel or a resin plate within your quality assurance range. Please refer to the GP4000 Series Hardware Manual for detail.

\*2: Standard mount : The GP unit's screen is fixed within the inside of the panel or resin boss-molded product.  
 Flat mount : The GP unit's screen is fixed to the same surface of the panel or resin boss-molded product.

## - Functional Specification

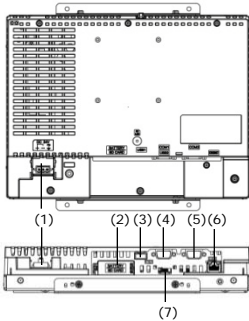
	GP-4601T	GP-4501T	GP-4401T	GP-4301T
Model Number	PFXGP4601TADR	PFXGP4501TADR	PFXGP4401TADR	PFXGP4301TADR
Display Type	TFT Color LCD			
Display Size	12.1"	10.4"	7.5"	5.7"
Resolution	800x600 pixels (SVGA)	640x480 pixels (VGA)	640x480 pixels (VGA)	320x240 pixels (QVGA)
Effective Display Area	W246.0×H184.5mm (W9.69×H7.26 in.)	W211.2×H158.4mm (W8.31×6.24 in.)	W153.7×H115.8mm (W6.05×H4.56 in.)	W115.2×H86.4mm (W4.54×H3.40 in.)
Display Colors	65,536 colors (No blink) / 16,384 colors (Blink)			
Backlight	White LED (Not user replaceable. When replacement is required, contact your local distributor.)			
Brightness Control	16 levels (Adjusted with touch panel or software)			
Backlight Service Life	50,000 hours or more (continuous operation at 25 ° C [77 ° F] before backlight decreases to 50%.)			
Language Fonts	Japanese, ASCII, Chinese (Simplified), Chinese (Traditional), Korean, Cyrillic, Thai			
Character Sizes	Standard font: 8 x 8, 8 x 16, 16 x 16 and 32 x 32 pixel fonts /Stroke font: 6...127 pixel fonts /Image font: 8...72 pixel fonts			
Font Sizes	Standard font: You can expand the width up to 8 times, and expand the height up to 8 times.			
Text	8 x 8 pixels	100 characters per row x 75 rows	80 characters per row x 60 rows	40 characters per row x 30 rows
	8 x 16 pixels	100 characters per row x 37 rows	80 characters per row x 30 rows	40 characters per row x 15 rows
	16 x 16 pixels	50 characters per row x 37 rows	40 characters per row x 30 rows	20 characters per row x 15 rows
	32 x 32 pixels	25 characters per row x 18 rows	20 characters per row x 15 rows	10 characters per row x 7 rows
Application Memory*1	FLASH EPROM 32 MB (including logic program area)			FLASH EPROM 16 MB (including logic program area)
Logic Program Area	FLASH EPROM 132 KB (Equivalent to 15,000 steps*2)			
Font Area	FLASH EPROM 8 MB (when this limit exceeded, uses application memory)			
Data Backup	SRAM 320 KB (Replaceable lithium battery for data backup)			
Variable Area	SRAM 64 KB (Replaceable Lithium battery for retentive variables)			
Clock	± 65 seconds per month (deviation at room temperature and power is OFF)			
Touch Panel Type	Resistive Film (analog)			
Touch Panel Resolution	1,024×1,024			
Touch Panel Service Life	1 million times or more			
Interface	Serial Interface (COM1)	Asynchronous Transmission: RS-232C, Data Length : 7 or 8 bits, Stop Bit : 1 or 2 bits, Parity : None, odd or even, Data Transmission Speed : 2,400...115,200 bps, Connector : D-Sub 9 pin (plug)		
	Serial Interface (COM2)	Asynchronous Transmission: RS-422/485, Data Length : 7 or 8 bits, Stop Bit : 1 or 2 bits, Parity : None, odd or even, Data Transmission Speed : 2,400...115,200 bps, 187,500 bps (MPI), Connector : D-Sub 9 pin (plug)		
	Ethernet Interface	IEEE802.3i / IEEE802.3u, 10BASE-T/100BASE-TX Connector: Modular jack (RJ-45) x 1.		
	USB (Type A) Interface	Connector:USB2.0(Type A) x 1, Power Supply Voltage : 5 Vdc ±5%, Maximum Current Supplied : 500mA, Maximum Transmission Distance : 5 m (16.4 ft)		
	USB (mini-B) Interface	Conforms to USB2.0 (mini-B) x 1. Communication Distance: 5 m (16.4 ft) or less.		
SD Card Interface	SD Card slot x 1 (maximum 32 GB SD/SDHC Card)			

\*1 : Capacity available for user application.

\*2 : Up to 60,000 steps can be converted in software. However, this reduces application memory capacity for screen data by 1 MB.

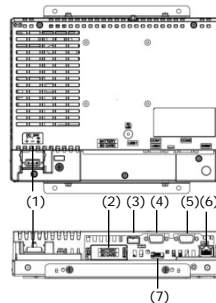
## - Parts Identification

[GP-4601T (12.1")]



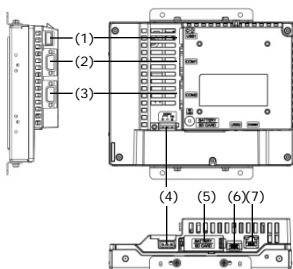
- (1) Power Plug Connector
- (2) SD Card Interface
- (3) USB (Type A) Interface
- (4) Serial Interface (COM1)
- (5) Serial Interface (COM2)
- (6) Ethernet Interface
- (7) USB (mini-B) Interface

[GP-4501T (10.4")]



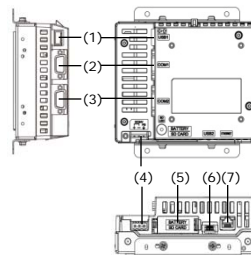
- (1) Power Plug Connector
- (2) SD Card Interface
- (3) USB (Type A) Interface
- (4) Serial Interface (COM1)
- (5) Serial Interface (COM2)
- (6) Ethernet Interface
- (7) USB (mini-B) Interface

[GP-4401T (7.5")]



- (1) USB (Type A) Interface
- (2) Serial Interface (COM1)
- (3) Serial Interface (COM2)
- (4) Power Plug Connector
- (5) SD Card Interface
- (6) USB (mini-B) Interface
- (7) Ethernet Interface

[GP-4301T (5.7")]

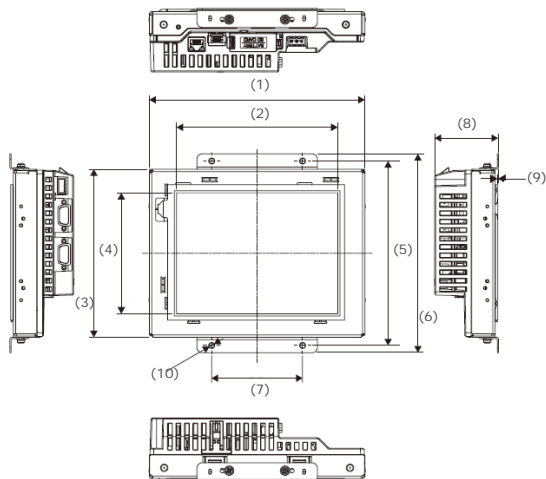


- (1) USB (Type A) Interface
- (2) Serial Interface (COM1)
- (3) Serial Interface (COM2)
- (4) Power Plug Connector
- (5) SD Card Interface
- (6) USB (mini-B) Interface
- (7) Ethernet Interface

## - External Dimensions

[ Panel Type \*1 Standard Mount (Installation with Installation Fasteners attached to the top and bottom surfaces of the GP unit) ]

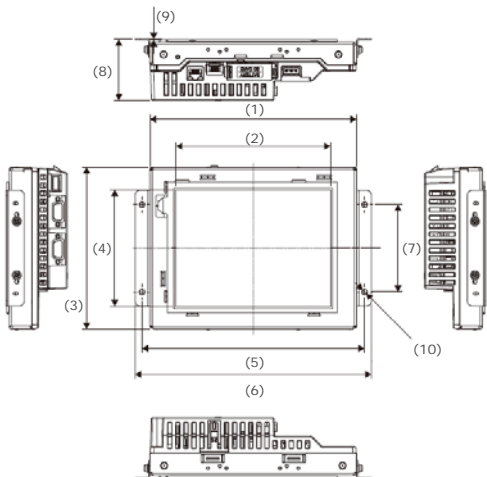
Unit mm (in.)



	GP-4601T (12.1")	GP-4501T (10.4")	GP-4401T (7.5")	GP-4301T (5.7")
(1)	302 (11.89)	259.7 (10.22)	204 (8.03)	155.6 (6.13)
(2)	247 (9.72)	212.2 (8.35)	152.7 (6.01)	116.2 (4.57)
(3)	228 (8.98)	201.5 (7.93)	159.4 (6.28)	123.4 (4.86)
(4)	185.5 (7.30)	159.4 (6.28)	114.8 (4.52)	87.4 (3.44)
(5)	243.6±0.5 (9.59±0.02)	217.1±0.5 (8.55±0.02)	175±0.5 (6.89±0.02)	139±0.5 (5.47±0.02)
(6)	257.2 (10.13)	230.7 (9.08)	188.6 (7.43)	152.6 (6.01)
(7)	151 (5.94)	151 (5.94)	86 (3.39)	86 (3.39)
(8)	56.6 (2.23)	57.6 (2.27)	60.4 (2.38)	59.7 (2.35)
(9)	0.8 (0.03)	0.8 (0.03)	0.8 (0.03)	0.8 (0.03)
(10)	4 × Φ5 × Φ7 countersink (4 × Φ0.20 × Φ0.28 countersink)	4 × Φ5 × Φ7 countersink (4 × Φ0.20 × Φ0.28 countersink)	4 × Φ5 × Φ7 countersink (4 × Φ0.20 × Φ0.28 countersink)	4 × Φ5 × Φ7 countersink (4 × Φ0.20 × Φ0.28 countersink)

[ Panel Type \*1 Standard Mount (Installation with Installation Fasteners attached to the sides of the GP unit) ]

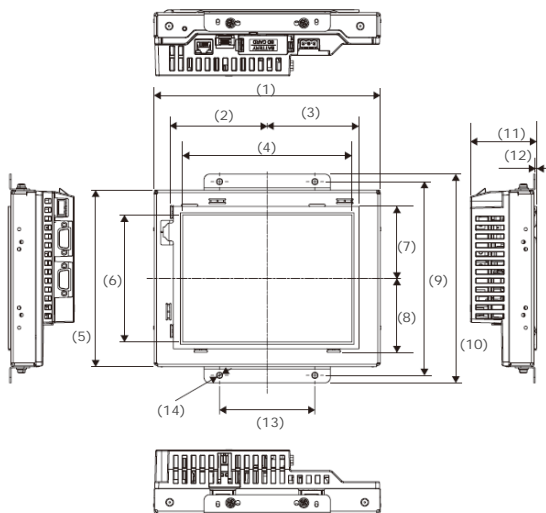
Unit mm (in.)



	GP-4601T (12.1")	GP-4501T (10.4")	GP-4401T (7.5")	GP-4301T (5.7")
(1)	302 (11.89)	259.7 (10.22)	204 (8.03)	155.6 (6.13)
(2)	247 (9.72)	212.2 (8.35)	152.7 (6.01)	116.2 (4.57)
(3)	228 (8.98)	201.5 (7.93)	159.4 (6.28)	123.4 (4.86)
(4)	185.5 (7.30)	159.4 (6.28)	114.8 (4.52)	87.4 (3.44)
(5)	317.6±0.5 (12.50 ±0.02)	275.3±0.5 (10.84±0.02)	219.6±0.5 (8.65±0.02)	171.2±0.5 (6.74±0.02)
(6)	331.2 (13.04)	288.9 (11.37)	233.2 (9.18)	184.8 (7.28)
(7)	160 (6.3)	151 (5.94)	86 (3.39)	86 (3.39)
(8)	56.6 (2.23)	57.6 (2.27)	60.4 (2.38)	59.7 (2.35)
(9)	0.8 (0.03)	0.8 (0.03)	0.8 (0.03)	0.8 (0.03)
(10)	4 × Φ5 × Φ7 Countersink (4 × Φ0.20 × Φ0.28 countersink)	4 × Φ5 × Φ7 Countersink (4 × Φ0.20 × Φ0.28 countersink)	4 × Φ5 × Φ7 Countersink (4 × Φ0.20 × Φ0.28 countersink)	4 × Φ5 × Φ7 Countersink (4 × Φ0.20 × Φ0.28 Countersink)

[ Panel Type \*1 Flat Mount (Installation with Installation Fasteners attached to the top and bottom surfaces of the GP unit) ]

Unit mm (in.)

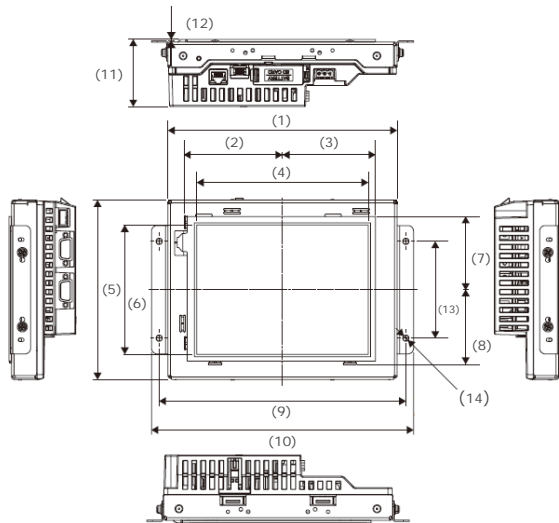


	GP-4601T (12.1")	GP-4501T (10.4")	GP-4401T (7.5")	GP-4301T (5.7")
(1)	302 (11.89)	259.7 (10.22)	204 (8.03)	155.6 (6.13)
(2)	145.8 (5.74)	120.6 (4.75)	87 (3.43)	71.3 (2.81)
(3)	138.9 (5.47)	115.7 (4.56)	82.8 (3.26)	67 (2.63)
(4)	247 (9.72)	212.2 (8.35)	152.7 (6.01)	116.2 (4.57)
(5)	228 (8.98)	201.5 (7.93)	159.4 (6.28)	123.4 (4.86)
(6)	185.5 (7.30)	159.4 (6.28)	114.8 (4.52)	87.4 (3.44)
(7)	105 (4.13)	91.6 (3.61)	65.1 (2.56)	52.5 (2.07)
(8)	106 (4.17)	92.8 (3.65)	65.8 (2.59)	52.4 (2.06)
(9)	243.6±0.5 (9.59±0.02)	217.1±0.5 (8.55±0.02)	175±0.5 (6.89±0.02)	139±0.5 (5.47±0.02)
(10)	257.2 (10.13)	230.7 (9.08)	188.6 (7.43)	152.6 (6.01)
(11)	55.9 (2.20)	56.9 (2.24)	59.7 (2.35)	59 (2.32)
(12)	1.4 (0.06)	1.4 (0.06)	1.4 (0.06)	1.4 (0.06)
(13)	151 (5.94)	151 (5.94)	86 (3.39)	86 (3.39)
(14)	4 × Φ5 × Φ7 countersink (4 × Φ0.20 × Φ0.28 countersink)	4 × Φ5 × Φ7 countersink (4 × Φ0.20 × Φ0.28 countersink)	4 × Φ5 × Φ7 countersink (4 × Φ0.20 × Φ0.28 countersink)	4 × Φ5 × Φ7 countersink (4 × Φ0.20 × Φ0.28 countersink)

\*1 Panel type: Weld the stud bolts to the panel, and then tighten the nuts to fasten the GP unit to the panel.

## - Dimensions

[ Panel Type \*1 Flat Mount (Installation with Installation Fasteners attached to the sides of the GP unit)]

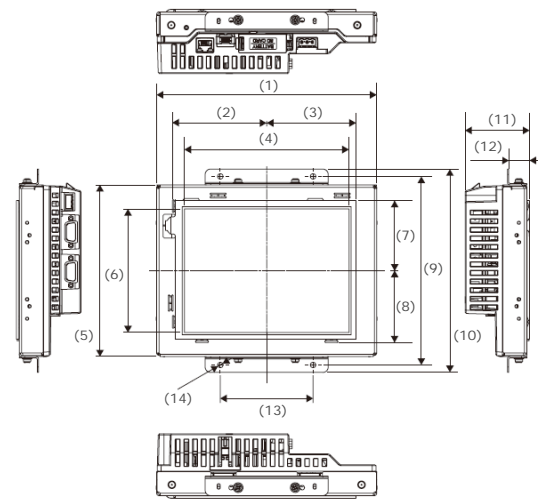


Unit mm (in.)

	GP-4601T (12.1")	GP-4501T (10.4")	GP-4401T (7.5")	GP-4301T (5.7")
(1)	302 (11.89)	259.7 (10.22)	204 (8.03)	155.6 (6.13)
(2)	145.8 (5.74)	120.6 (4.75)	87 (3.43)	71.3 (2.81)
(3)	138.9 (5.47)	115.7 (4.56)	82.8 (3.26)	67 (2.64)
(4)	247 (9.72)	212.2 (8.35)	152.7 (6.01)	116.2 (4.57)
(5)	228 (8.98)	201.5 (7.93)	159.4 (6.28)	123.4 (4.86)
(6)	185.5 (7.30)	159.4 (6.28)	114.8 (4.52)	87.4 (3.44)
(7)	105 (4.13)	91.6 (3.61)	65.1 (2.56)	52.5 (2.07)
(8)	106 (4.17)	92.8 (3.65)	65.8 (2.59)	52.4 (2.06)
(9)	317.6 (12.50±0.02)	275.3±0.5 (10.84±0.02)	219.6±0.5 (8.65±0.02)	171.2±0.5 (6.74±0.02)
(10)	331.2 (13.04)	288.9 (11.37)	233.2 (9.18)	184.8 (7.28)
(11)	55.9 (2.20)	56.9 (2.24)	59.7 (2.35)	59 (2.32)
(12)	1.4 (0.06)	1.4 (0.06)	1.4 (0.06)	1.4 (0.06)
(13)	151 (5.94)	151 (5.94)	86 (3.39)	86 (3.39)
(14)	4 × Φ5 × Φ7 countersink (4 × Φ0.20 × Φ0.28 countersink)	4 × Φ5 × Φ7 countersink (4 × Φ0.20 × Φ0.28 countersink)	4 × Φ5 × Φ7 countersink (4 × Φ0.20 × Φ0.28 countersink)	4 × Φ5 × Φ7 countersink (4 × Φ0.20 × Φ0.28 countersink)

[ Resin BossType \*2 Standard Mount and Flat Mount

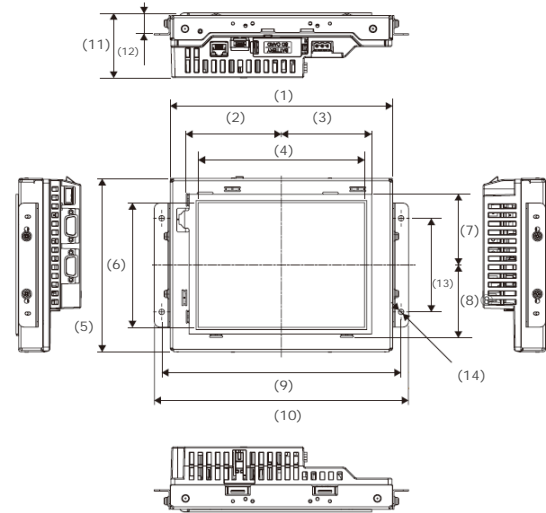
(Installation with Installation Fasteners attached to the top and bottom surfaces of the GP unit)]



Unit mm (in.)

	GP-4601T (12.1")	GP-4501T (10.4")	GP-4401T (7.5")	GP-4301T (5.7")
(1)	302 (11.89)	259.7 (10.22)	204 (8.03)	155.6 (6.13)
(2)	145.8 (5.74)	120.6 (4.75)	87 (3.43)	71.3 (2.81)
(3)	138.9 (5.47)	115.7 (4.56)	82.8 (3.26)	67 (2.64)
(4)	247 (9.72)	212.2 (8.35)	152.7 (6.01)	116.2 (4.57)
(5)	228 (8.98)	201.5 (7.93)	159.4 (6.28)	123.4 (4.86)
(6)	185.5 (7.30)	159.4 (6.28)	114.8 (4.52)	87.4 (3.44)
(7)	105 (4.13)	91.6 (3.6)	65.1 (2.56)	52.5 (2.07)
(8)	106 (4.17)	92.8 (3.65)	65.8 (2.59)	52.4 (2.06)
(9)	243.6±0.5 (9.59±0.02)	217.1±0.5 (8.55±0.02)	175±0.5 (6.89±0.02)	139±0.5 (5.47±0.02)
(10)	257.2 (10.13)	230.7 (9.08)	188.6 (7.43)	152.6 (6.01)
(11)	55.9 (2.20)	56.9 (2.24)	59.7 (2.35)	59 (2.32)
(12)	19.3 (0.76)	19.3 (0.76)	19.3 (0.76)	19.3 (0.76)
(13)	151 (5.94)	151 (5.94)	86 (3.39)	86 (3.39)
(14)	4 × Φ5 × Φ7 countersink (4 × Φ0.20 × Φ0.28 countersink)	4 × Φ5 × Φ7 countersink (4 × Φ0.20 × Φ0.28 countersink)	4 × Φ5 × Φ7 countersink (4 × Φ0.20 × Φ0.28 countersink)	4 × Φ5 × Φ7 countersink (4 × Φ0.20 × Φ0.28 countersink)

[ Resin Boss Type \*2 Standard Mount and Flat Mount (Installation with Installation Fasteners attached to the sides of the GP unit)]



Unit mm (in.)

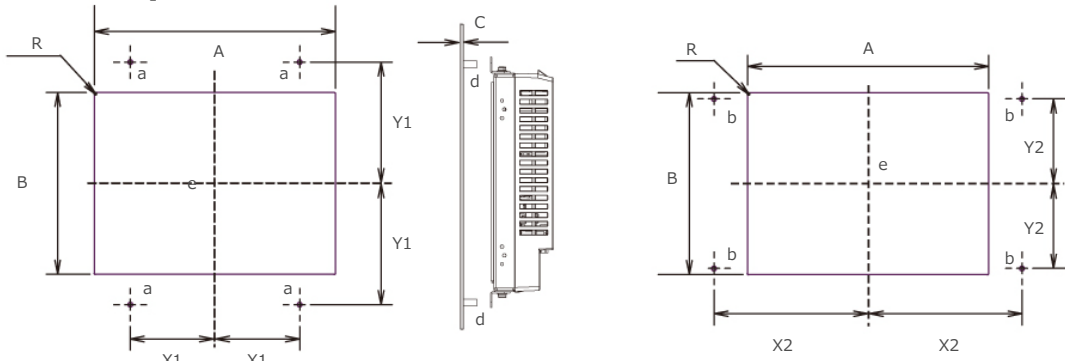
	GP-4601T (12.1")	GP-4501T (10.4")	GP-4401T (7.5")	GP-4301T (5.7")
(1)	302 (11.89)	259.7 (10.22)	204 (8.03)	155.6 (6.13)
(2)	145.8 (5.74)	120.6 (4.75)	87 (3.43)	71.3 (2.81)
(3)	138.9 (5.47)	115.7 (4.56)	82.8 (3.26)	67 (2.64)
(4)	247 (9.72)	212.2 (8.35)	152.7 (6.01)	116.2 (4.57)
(5)	228 (8.98)	201.5 (7.93)	159.4 (6.28)	123.4 (4.86)
(6)	185.5 (7.30)	159.4 (6.28)	114.8 (4.52)	87.4 (3.44)
(7)	105 (4.13)	91.6 (3.61)	65.1 (2.56)	52.5 (2.07)
(8)	106 (4.17)	92.8 (3.65)	65.8 (2.59)	52.4 (2.06)
(9)	317.6±0.5 (12.50±0.02)	275.3±0.5 (10.84±0.02)	219.6±0.5 (8.65±0.02)	171.2±0.5 (6.74±0.02)
(10)	331.2 (13.04)	288.9 (11.38)	233.2 (9.18)	184.8 (7.28)
(11)	55.9 (2.20)	56.9 (2.24)	59.7 (2.35)	59 (2.32)
(12)	19.3 (0.76)	19.3 (0.76)	19.3 (0.76)	19.3 (0.76)
(13)	151 (5.94)	151 (5.94)	86 (3.39)	86 (3.39)
(14)	4 × Φ5 × Φ7 countersink (4 × Φ0.20 × Φ0.28 countersink)	4 × Φ5 × Φ7 countersink (4 × Φ0.20 × Φ0.28 countersink)	4 × Φ5 × Φ7 countersink (4 × Φ0.20 × Φ0.28 countersink)	4 × Φ5 × Φ7 countersink (4 × Φ0.20 × Φ0.28 countersink)

\*1 Panel type: Weld the stud bolts to the panel, and then tighten the nuts to fasten the GP unit to the panel.

\*2 Resin boss type: Tighten the screws to attach the GP unit to the bosses of the resin boss-molded product.

- Panel Cut Dimensions

[Standard Mount]

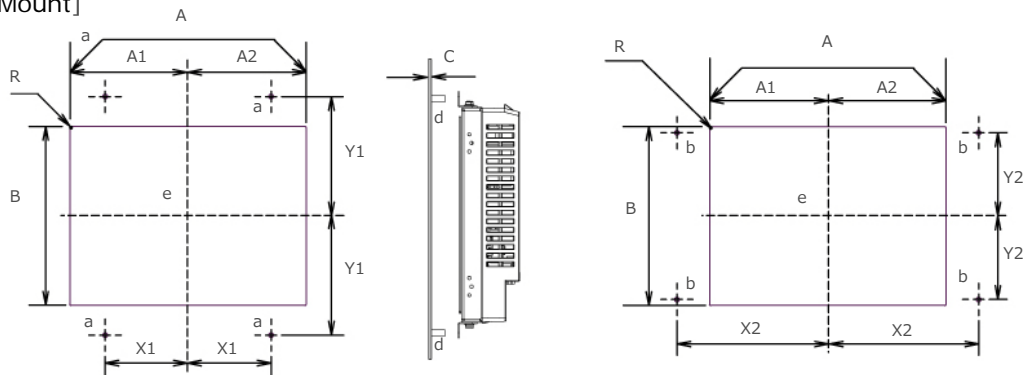


- a) Installation positions of stud bolts or positions of boss molds when attaching installation brackets at the top and bottom surfaces of the GP unit
- b) Installation positions of stud bolts or positions of boss molds when attaching installation brackets on either side of the GP unit
- d) 4-M4 x 10L stud bolts (no foreign material present on the base due to sparking or similar phenomena) or boss molds
- e) Center of the display area

Unit mm (in.)

	A	B	C		R	Attaching installation brackets at the top and bottom surfaces of the GP unit		Attaching installation brackets on either side of the GP unit	
			Panel Type	Resin BossType		X1	Y1	X2	Y2
12.1"	249.6+0.5 (9.83+0.02)	188.1+0.5 (7.41+0.02)	1.6mm (0.06 in.) to 3.2mm (0.13in.) SPCC (JIS G 3141) or SECC (JIS G 3313) 1.5mm (0.06 in.) to 6mm (0.24in.) SUS304 (JIS G 4305)	2mm (0.08in.) or more	1mm (0.04in.) maximum	75.5±0.15 (2.97±0.01)	121.8±0.15 (4.80±0.01)	158.8±0.15 (6.25±0.01)	75.5±0.15 (2.97±0.01)
10.4"	214.8+0.5 (8.46+0.02)	162+0.5 (6.38+0.02)				75.5±0.15 (2.97±0.01)	108.55±0.15 (4.27±0.01)	137.65±0.15 (5.42±0.01)	75.5±0.15 (2.97±0.01)
7.5"	155.3+0.5 (6.11+0.02)	117.4+0.5 (4.62+0.02)				43±0.15 (1.69±0.01)	87.5±0.15 (3.45±0.01)	109.8±0.15 (4.32±0.01)	43±0.15 (1.69±0.01)
5.7"	118.8+0.5 (4.68+0.02)	90+0.5 (3.54+0.02)				43±0.15 (1.69±0.01)	69.5±0.15 (2.74±0.01)	85.6±0.15 (3.37±0.01)	43±0.15 (1.69±0.01)

[Flat Mount]



Unit mm (in.)

	A		B	C		R	Attaching Installation Brackets on the Top and Bottom Surfaces of the GP Unit		Attaching Installation Brackets on the Sides of the GP Unit				
	A1	A2		Panel Type	Resin BossType		X1	Y1	X2	Y2			
12.1"	289.4+0.5 (11.39+0.02)		214.4+0.5 (8.44+0.02)	1.6mm (0.06 in.) SPCC [JISG 3141] or SECC [JISG 3313]	2 mm (0.08in.) maximum	1 mm (0.04in.) maximum	75.5±0.15 (2.97+0.01)	121.8±0.15 (4.80+0.01)	158.8±0.15 (6.25+0.01)	75.5±0.15 (2.97+0.01)			
	142.4+0.25 (5.61+0.01)	147+0.25 (5.79+0.01)					75.5±0.15 (2.97+0.01)	108.55±0.15 (4.27+0.01)	137.65±0.15 (5.42+0.01)	75.5±0.15 (2.97+0.01)			
10.4"	241+0.5 (9.49+0.02)		188+0.5 (7.4+0.02)				1.5 mm (0.06in.) (SUS304 [JIS G4305)	1 mm (0.04in.) maximum	1 mm (0.04in.) maximum	43±0.15 (1.69+0.01)	87.5±0.15 (3.45+0.01)	109.8±0.15 (4.32+0.01)	43±0.15 (1.69+0.01)
	119.2+0.25 (4.69+0.01)	121.8+0.25 (4.8+0.01)								43±0.15 (1.69+0.01)	69.5±0.15 (2.74+0.01)	85.6±0.15 (3.37+0.01)	43±0.15 (1.69+0.01)
7.5"	174.5+0.5 (6.87+0.02)		134.2+0.5 (5.28+0.02)	1.5 mm (0.06in.) (SUS304 [JIS G4305)	1 mm (0.04in.) maximum	1 mm (0.04in.) maximum				43±0.15 (1.69+0.01)	87.5±0.15 (3.45+0.01)	109.8±0.15 (4.32+0.01)	43±0.15 (1.69+0.01)
	86.3+0.25 (3.4+0.01)	88.2+0.25 (3.47+0.01)								43±0.15 (1.69+0.01)	69.5±0.15 (2.74+0.01)	85.6±0.15 (3.37+0.01)	43±0.15 (1.69+0.01)
5.7"	143+0.5 (5.63+0.02)		109+0.5 (4.29+0.02)				1.5 mm (0.06in.) (SUS304 [JIS G4305)	1 mm (0.04in.) maximum	1 mm (0.04in.) maximum	43±0.15 (1.69+0.01)	69.5±0.15 (2.74+0.01)	85.6±0.15 (3.37+0.01)	43±0.15 (1.69+0.01)
	70.5+0.25 (2.78+0.01)	72.5+0.25 (2.85+0.01)								43±0.15 (1.69+0.01)	69.5±0.15 (2.74+0.01)	85.6±0.15 (3.37+0.01)	43±0.15 (1.69+0.01)