

# Technical datasheet



## Aqua-Protec<sup>MD</sup> 4x4 Wye

Inflotrolix's **Aqua-Protec<sup>MD</sup>** is the first and only intelligent automatic backwater protection. Unlike traditional systems, the installation of **Aqua-Protec<sup>MD</sup>** does not involve any destruction of flooring structures and concrete, since it is directly inserted into the existing sanitary waste piping system of the residence.



**Aqua-Protec<sup>MD</sup>** is composed of a fault-tolerant control panel using micro-electronic sensors directly installed on the wall



and a patented Retractable Pneumatic Sealing Module (RPSM).

### Characteristics

**Aqua-Protec<sup>MD</sup>**'s principal characteristics :

- Reliable protection against several sewer backups;
- Automatic trigger;
- Easily installed in existing piping;
- Easy to use;
- In case of blackout, battery life > 10 days;
- Alarm sounds if sewer backup and backlit display screen gives details;
- Weekly self-test of the system;
- May be connected to surveillance central.

### Certifications



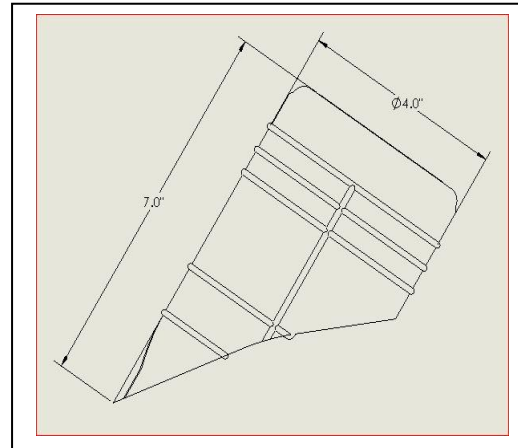
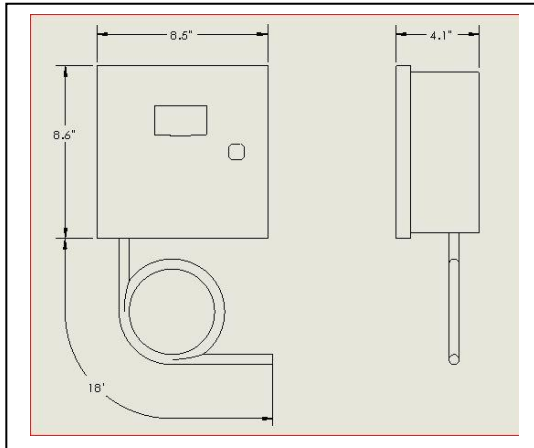
### Contact

The Aqua-Protec<sup>MD</sup> is made in Canada by Inflotrolix inc.  
You may reach technical support at 1-877-287-7777 or visit us on  
[www.aqua-protec.com](http://www.aqua-protec.com)

# Technical datasheet



## Dimensions



### Control panel

### Retractable Pneumatic Sealing Module

Rigorously tested and certified by independent and specialised organisations and Trust Providers such as the CRIQ, CSA and IAPMO Research and Technology Organizations, the electro-pneumatic **Aqua-Protect<sup>MD</sup>** systems offer a great protection against sewer backups.

## Technical specifications

Water detector	Gold plated	Batteries	12 volts DC, 14.5 Ahr
Water detection for inflation	5 seconds	Length of battery charge	> 7 days
Inversion of current	0.5 second	Length of battery life	3 years
Humidity tolerance	0-95%	Low battery signal	When the battery reaches a critical point, the green icon flashes and the alarm rings
Mechanical resistance	79.3 kPa (11.5 psi)	Recommended use	Residential, inside only
Movement type	Expansion	Operation temperature	5°C to 50 °C
Movement	To the sewer	Max temp of the water	80 °C
Maximum stroke	10.2 cm (4")	Control panel dimensions	Length : 21.8 cm (8.6") Height : 21.6 cm (8.5") Thickness: 10.4 cm (4.1")
Screen/Display	Digital, grey, backlit	Dimensions MREP	Length: 17.8 cm (7") Diameter: 10.2 cm (4")
Pump type	Diaphragm	Weight of control panel (with batteries)	5.5 kg (12.13 lbs)
Noise	95 dBA	Pollution degree	Type 2
Adapter	15V, 1.6A, 24W	Intensity of electric current	29 mA on standby,
Power supply	100-240 V		735 mA in active state

## Contact

The Aqua-Protect<sup>MD</sup> is made in Canada by Inflotrolix inc.  
 You may reach technical support at 1-877-287-7777 or visit us on  
[www.aqua-protect.com](http://www.aqua-protect.com)