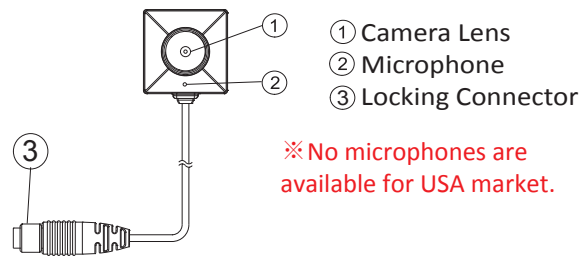
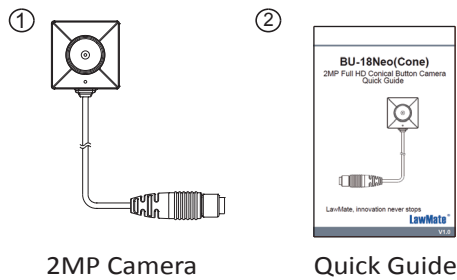


### 1. Names and Parts



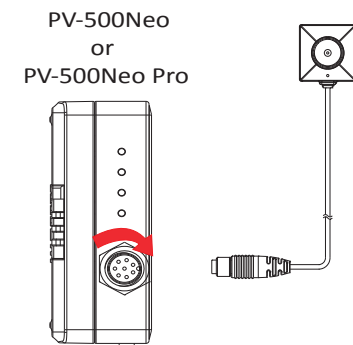
### 2. Package Content



※ Do not remove serial number sticker! Warranty is invalid if the sticker is tampered.

1

### 3. Camera Setup Illustration



To connect the camera to the DVR, fully plug the camera's connector end into the **Camera In** port on the DVR, then lock the connector firmly by rotating it to the direction of the red arrow.

※ Only connect the camera to DVR when the DVR is powered off.

※ Before turning on the DVR, make sure the camera is already connected and memory card is inserted.

※ BU-18Neo(Cone) is only compatible with PV-500Neo & PV-500Neo Pro.

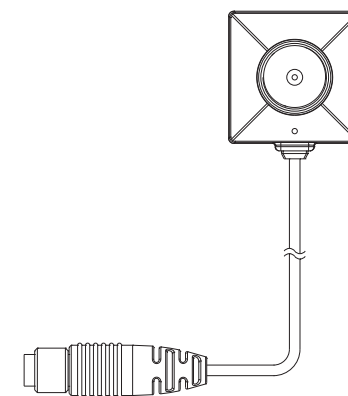
2

### 4. Specification

Resolution	
Video Resolution	1080P
Sensor Resolution	2000 x 1121
Pixel Size	2.8um(H) * 2.8um(V)
Digital Picture Resolution	(H)1920 x (V)1080
CMOS Camera Module	
Built-in Image Sensor	Progressive 1/2.9 inch SONY CMOS
Illumination Sensitivity	0.1 Lux @ F2.0 50IRE
Lens F/No	F2.0
Focal Length	4.6 mm
Angle of View	78.2°
Depth of Field	50 cm ~ ∞
Electronic Shutter	1/8 ~ 1/30,000
Video Output	
Video Output	I2C Data
Power	
Power Supply Voltage	DC 3.3 V ± 5%
Power Supply Current	220 mA
Physical	
Operating Temperature	-10°C ~ 60°C
Operating Humidity	20 ~ 90%
Storage Temperature	-30°C ~ 80°C
Dimension	25X25X17 mm
Weight	18g

## BU-18Neo(Cone)

### 2MP Full HD Conical Button Camera Quick Guide



LawMate, innovation never stops

**LawMate**®

V1.0