

SR30007

Ultra-Long Standby Wi-Fi

Security Camera with Low Power

Consumption

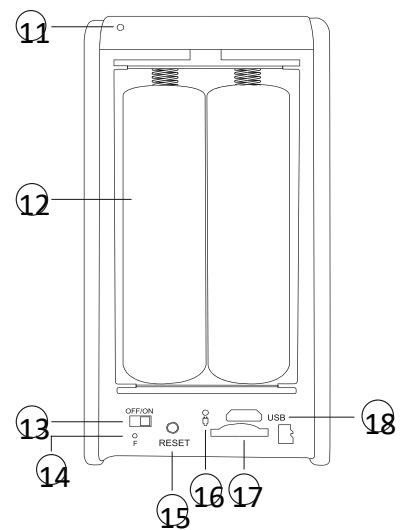
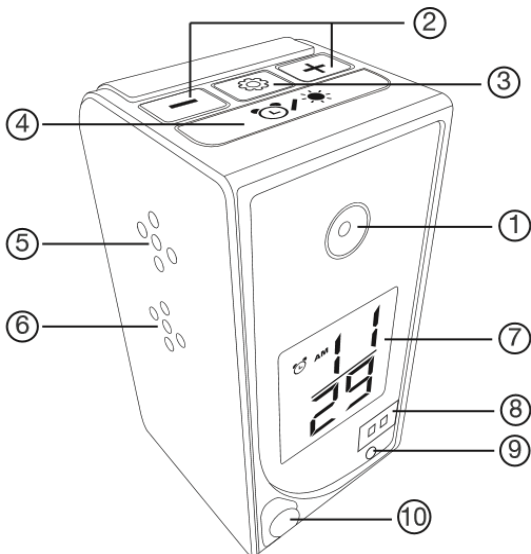


In the box:

1 x Camera Unit
1 x USB Cable

1 x Micro SD Card Reader
1 x User Manual

Product structure



- ① Camera ② + - ③ Time setting ④ Wake up/Alarm switch
- ⑤ Clock speaker ⑥ Camera speaker ⑦ Time display
- ⑧ Invisible night vision leds ⑨ Light sensor ⑩ PIR sensor

- 11 Mic ⑫ Batteries ⑬ ON/OFF switch
- 14 WiFi indicator ⑮ Reset key ⑯ Charging indicator
- 17 Micro SD card slot ⑰ USB Port

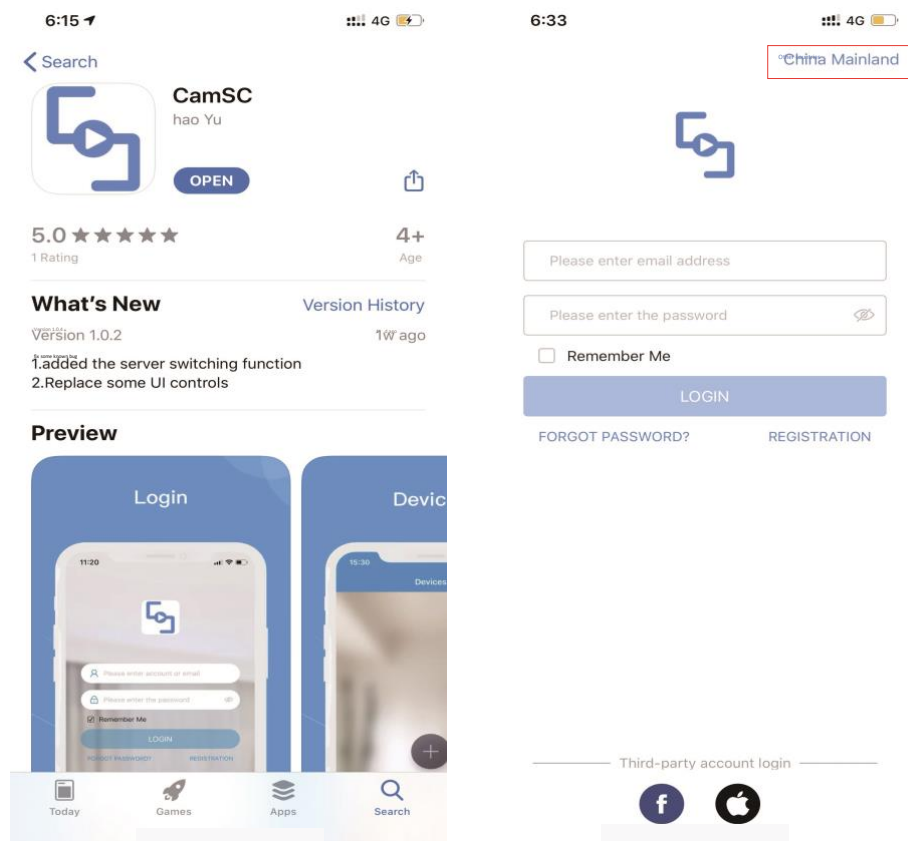
Download and Install CamSC APP

1. Scan below QR code or search and download free APP named **<CamSC>** in Apple APP store, Google play or Electronic market, and install it.

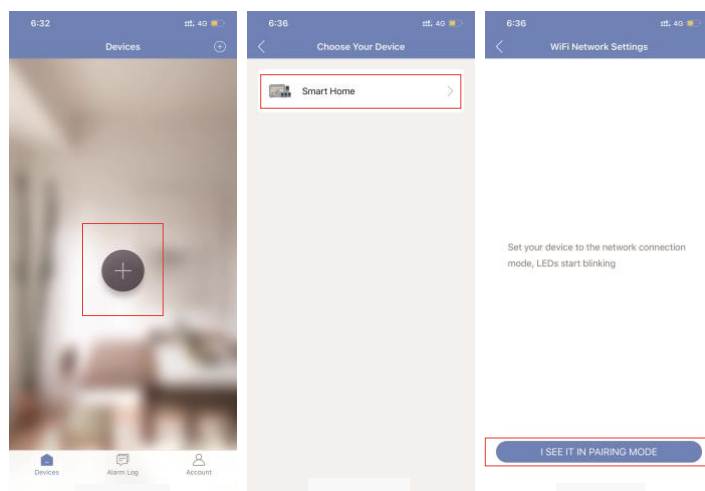


APP:CamSC

2. Open APP CamSC, select current region at the top right corner. Register with email address.



3. Take off back cover --> Insert micro SD card --> Turn on with the on/off Switch
4. Connect peer to peer to the device Wi-Fi:
 - Press Reset key 4 seconds till a beep sound. (Wi-Fi indicator blink slowly and ready for pairing Wi-Fi)
 - Open APP CamSC >> Click + >> Smart Home >> Device in pairing mode >> CAM-xxxxxx.



5. Click > at the end of Wi-Fi to select the local router Wi-Fi, then input password.
6. Click 'NEXT' and wait around 10 seconds to finish the configuring. Device will restart and connect online.

