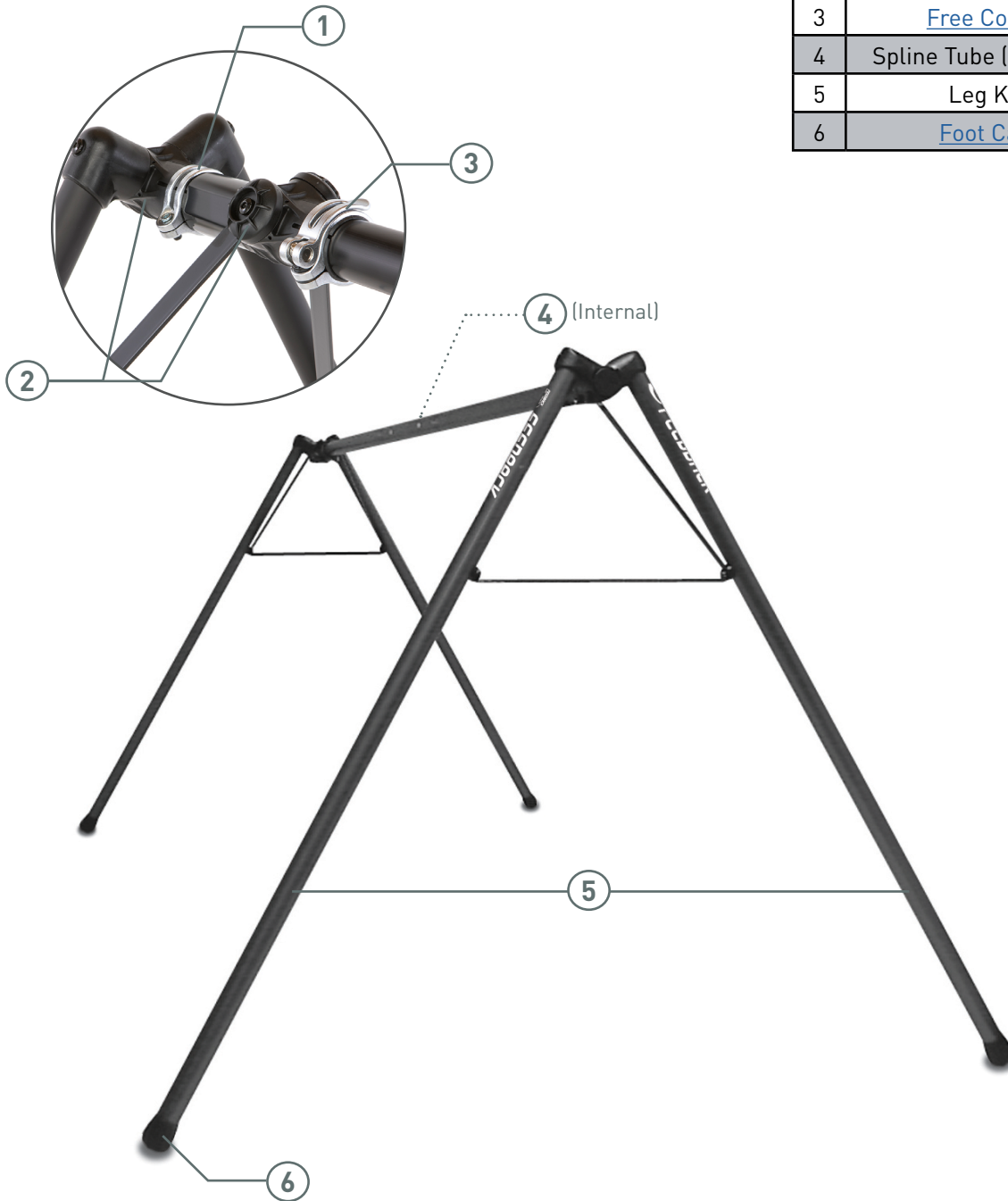


# A-FRAME

[ BIKE STORAGE ]



	ITEM NAME	ITEM #
1	N/A	---
2	<a href="#">Event Slider Fitting</a>	16650
3	<a href="#">Free Collar</a>	16708
4	Spline Tube (Internal)	16517
5	Leg Kit	16652
6	<a href="#">Foot Cap</a>	13497