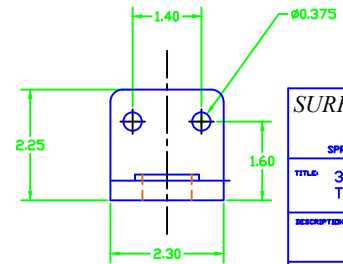
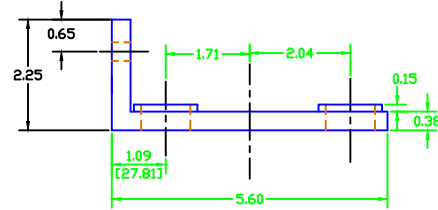
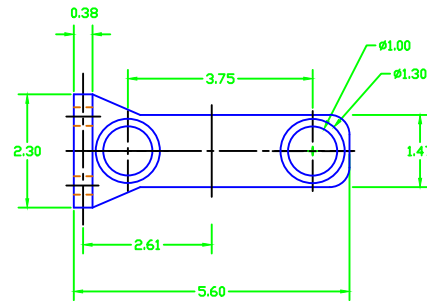


<b>SURRETTE BATTERY</b> COMPANY LTD.	
SPRINGHILL, NOVA SCOTIA, CANADA	
TITLE: 33RR POSITIVE TERMINAL	
DESCRIPTION: BATTERY TERMINAL	
SCALE: 1:1 8 1/2" X 11"	
Drawn by: S. VILES	Approved By: D. SURRETTE
DATE: 16-OCT-00 REVISION: 1.0	
DRAWING NO.: SPD-001, 33RR POS TERM	



<b>SURRETTE BATTERY</b> COMPANY LTD.	
SPRINGHILL, NOVA SCOTIA, CANADA	
TITLE: 33RR NEGATIVE TERMINAL	
DESCRIPTION: BATTERY TERMINAL	
SCALE: 1:1 8 1/2" X 11"	
Drawn by: S. VILES	Approved By: D. SURRETTE
DATE: 16-OCT-00 REVISION: 1.0	
DRAWING NO.: SPD-002, 33RR NEG TERM	