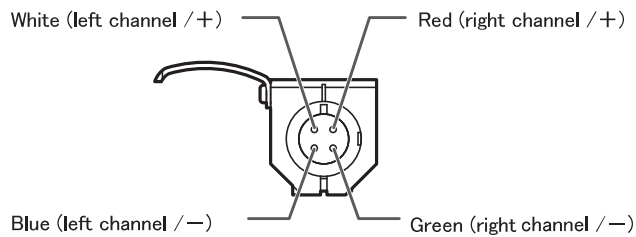
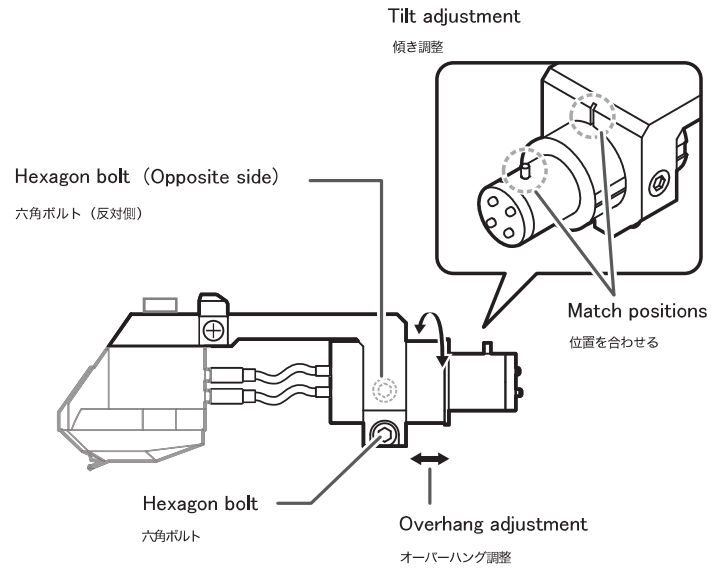


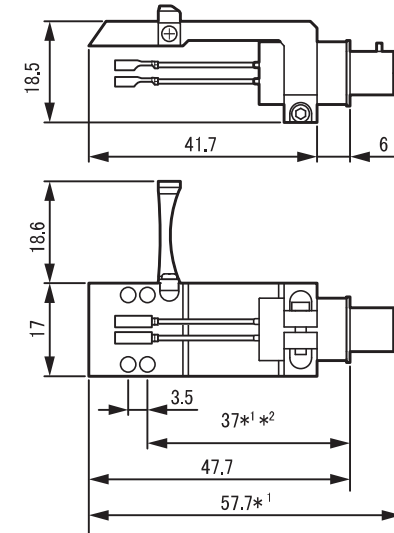
External View 本体外観図



△B

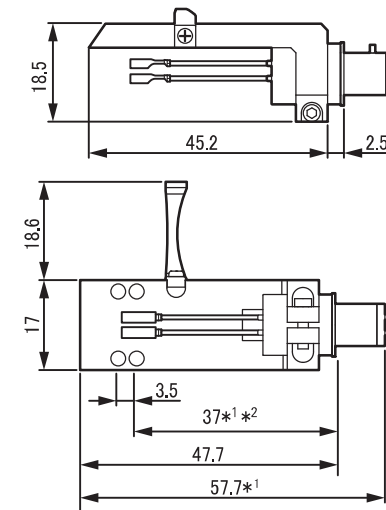
AT-LH11H _ LH13H _ LH15H _ LH18H

AT-LH11H/AT-LH13H



* 1 購入時 / At time of purchasing
* 2 可動範囲 / Movable range : 31.5~40.5 mm

AT-LH15H/AT-LH18H



(単位:mm)
(unit : mm)

* 1 購入時 / At time of purchasing
* 2 可動範囲 / Movable range : 35.0~44.0 mm

AT-LH11H_13H_15H_18H