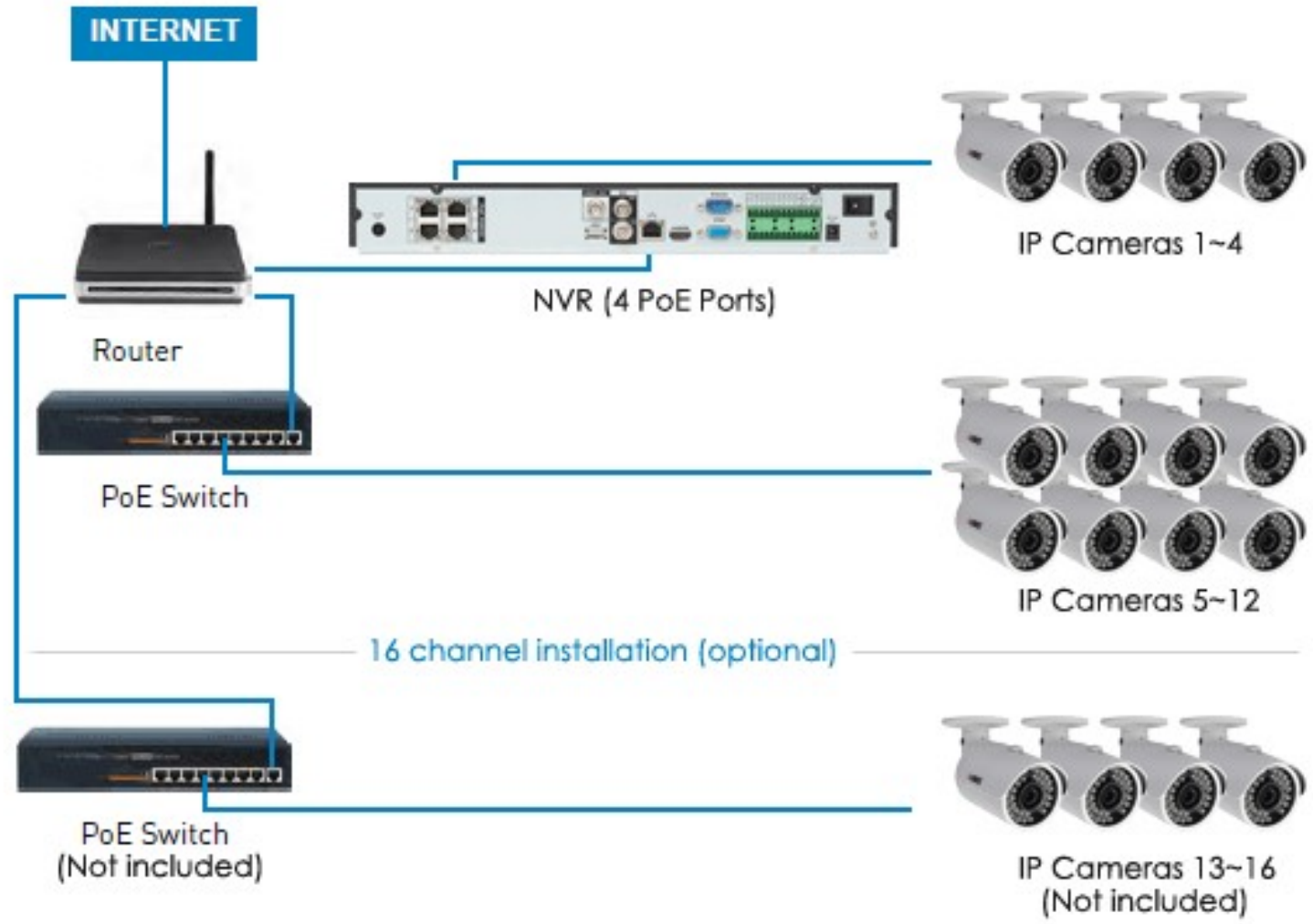


# Hikvision NVR (POE)



In this example above:

## IP Cameras 1 – 4

- Camera's connected into the back of the NVR would get a **IP Address** from the NVR and would be in the IP range of **192.168.254.xxx**
- Search and add the camera's within the NVR
- Use **Hikvision SADP Tool** with a computer plugged directly into the one of the **PoE ports in the back of the NVR** to search for camera's that are plugged directly into the NVR not might not be appearing in the NVR.

## IP Cameras 5 – 12

- Camera's connected into the PoE Switch would get a **IP Address** from the Router or would then need to be setup with a **Static IP Address**
- Use **Hikvision SADP Tool** with a computer plugged directly into the one of the **PoE Switch** to search for camera's that plugged into the PoE switch
- Connect through a web browser to the camera using it's default IP Address and then set the required Static IP Address
- Once the cameras have been set with the desired **IP Addresses**, add the cameras within NVR using add camera management system using the IP address that has been set on each camera.

**Please note in the example above the NVR and Switches support PoE which means they would provide power to the cameras**