

# AirServer Windows 10 Desktop Edition

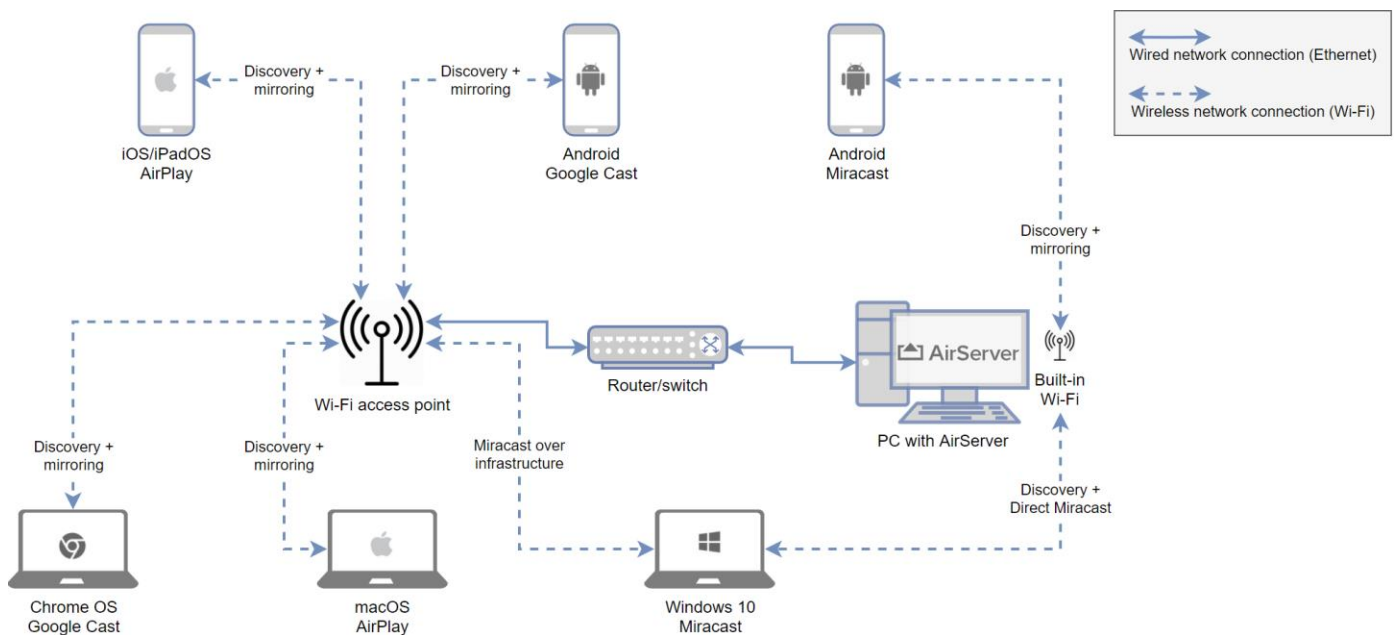
## Network and Security information

Last updated on 20/09/2020.

### 1. Protocols, Discovery and Connectivity

AirServer provides universal screen mirroring by having support for the native screen mirroring protocols AirPlay, Google Cast and Miracast.

The following diagram shows how different devices are able to connect to AirServer:



AirPlay and Google Cast also support connectivity over Ethernet and use mDNS (Bonjour) for discovery. Miracast requires discovery using Wi-Fi Direct. When a sender is using Windows 10 (build 1709 or newer), Miracast mirroring can happen over infrastructure if the network allows for it.

## 2. Networking Considerations

The following table lists the ports being used by AirServer Windows 10 Desktop Edition:

	Inbound		Outbound	
	TCP	UDP	TCP	UDP
<b>All Protocols</b>	32768-65535	5353, 32768-65535	32768-65535	32768-65535
<b>AirPlay</b>	5000-5010, 7000			
<b>Google Cast</b>	8008-8019	1900		
<b>Miracast</b>	7250			

AirServer Windows 10 Desktop Edition uses the following Bonjour services:

- `_airplay._tcp`
- `_googlecast._tcp`
- `_display._tcp`
- `_airserver._tcp`
- `_raop._tcp`

## 3. Software and Security Information

### Microsoft Certified

AirServer Windows 10 Desktop Edition is a Microsoft certified Universal Windows Platform (UWP) application and distributed and updated through the Microsoft Store. UWP applications run in a sandboxed environment that provides enhanced security.

There are regular updates to AirServer to bring new features and fix any known issues. Updates are installed automatically and do not require administrative rights. Release notes can be found at:

<https://support.airserver.com/support/solutions/articles/43000516024>

### Secure Connection

AirServer receives and displays screen mirroring streams from sending devices using vendor provided protocols and implements all security features these protocols support. Screen mirroring only happens over your local network and is encrypted.

To ensure that you are mirroring to the correct screen, AirServer supports the following security features for each protocol:

- AirPlay: no security, on-screen PIN code or password.
- Google Cast: no security or on-screen prompt.
- Miracast: no security or on-screen PIN code.

## 4. Support

More information can be found in the AirServer knowledge base, which can be found at:

<https://support.airserver.com/support/solutions/folders/43000556173>