

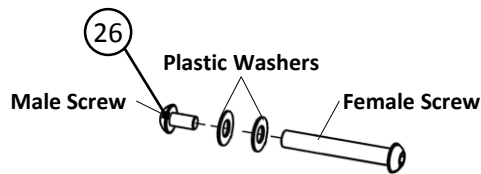
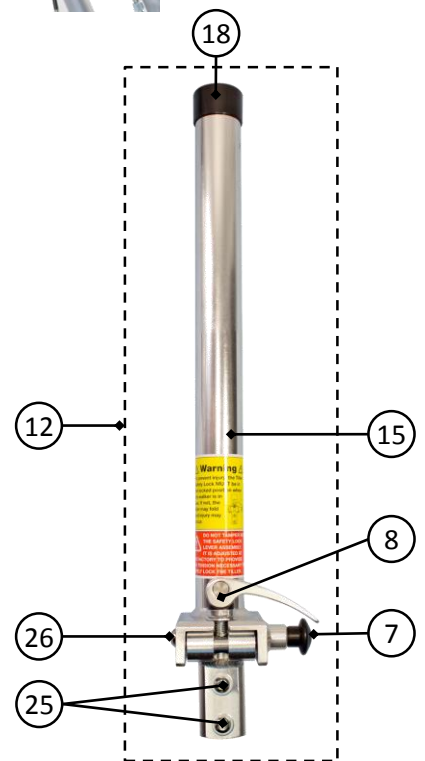
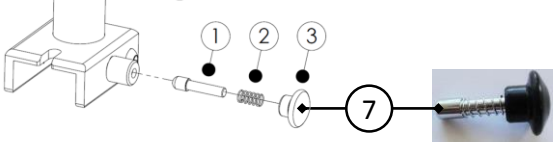
# DETAILED PARTS ORDER FOR IMPROVED P4000 FREE SPIRIT KNEE WALKER (V3 TILLER)

Serial Numbers within range of:  
T14-001205 to current



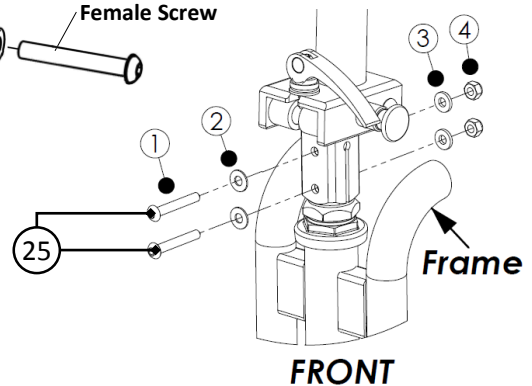
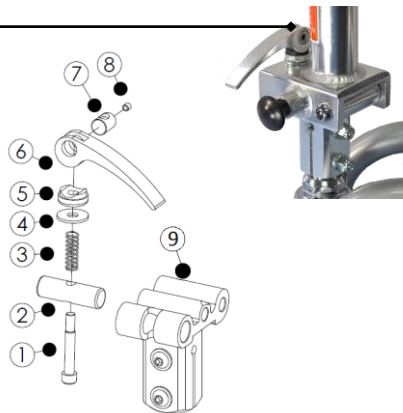
## Tiller Positioning Pin Assembly

- ① Locking Pin
- ② Spring
- ③ Black Knob



## Tiller lock assembly

- ① Threaded rod (M6x38.5mm).
- ② Rotating rod ( $\phi 12.6\text{mm} \times L40.5\text{mm}$ ).
- ③ Spring.
- ④ Flat washer ( $\phi 19\text{mm}$ ).
- ⑤ C type plastic washer (with cap).
- ⑥ Safety lock lever.
- ⑦ Rotating rod ( $\phi 10\text{mm} \times L13\text{mm}$ ).
- ⑧ Socket set screw (M4xL4mm)
- ⑨ Lower Tiller Body



- ① Bolts
- ② Steel Washer-Thin
- ③ Steel Washer-Thick
- ④ Hex Nuts(Nylon Lock)

# PARTS ORDER FOR IMPROVED P4000 FREE SPIRIT KNEE WALKER (V3 TILLER)

Serial Numbers within range of:  
T14-001205 to current

Check One:

- \_\_\_\_\_ Parts for Stock  
\_\_\_\_\_ Parts for Specific Serial No.'s

List Serial No.'s: \_\_\_\_\_

Item	Part No.	Description	Qty	Item	Part No.	Description	Qty
1	10014	KNEE REST HEIGHT ADJ. KNOB ASSY.		17	35079	HAND GRIP	
2	10016	SPINDLE ASSEMBLY, RIGHT		18	35080	SILENCER, 1 ¼"	
	10019	SPINDLE ASSEMBLY, LEFT		19	35081	SILENCER, 1 ½"	
3	10017	TIE ROD END, PRIMARY		20	35082	CABLE GUIDE (4)	
4	10018	TIE ROD END, SECONDARY		21	40049	WHEEL, FRONT/REAR, BLACK	
5	10022	REPAIR KIT - KNEE & HANDLEBAR KNOB		22	45031	AXLE, REAR	
6	10023	HANDLEBAR HEIGHT ADJ. KNOB ASSY		23	45032	AXLE, FRONT	
7	10026	TILLER POSITIONING PIN ASSEMBLY		24	50013	BRAKE MOUNTING BOLT ASSEMBLY	
8	10033	TILLER LOCK ASSEMBLY V.3		25	50051	TILLER MOUNTING BOLT ASSEMBLY	
9	12025	LOOP BRAKE ASSEMBLY		26	50102	TILLER HINGE M & F SCREW SET	
10	13009	KNEE REST MOUNTING BOLT ASSEMBLY		27	60001	LOOP BRAKE	
11	13010	KNEE REST MOUNT		28	60050	BRAKE PLATE, LEFT	
12	13013	TILLER RETROFIT KIT V.3 (#7, 8, 15, 18, 25, 26)			60051	BRAKE PLATE, RIGHT	
13	20051	KNEE REST, 14 ½" LONG		29	60067	BRAKE CABLE	
14	30189	HANDLEBAR ASSEMBLY		30	60070	BRAKE SPRING	
15	30265	HANDLEBAR HOLDER V.3		31	70014	POUCH	
16	35019	DUST CAP					