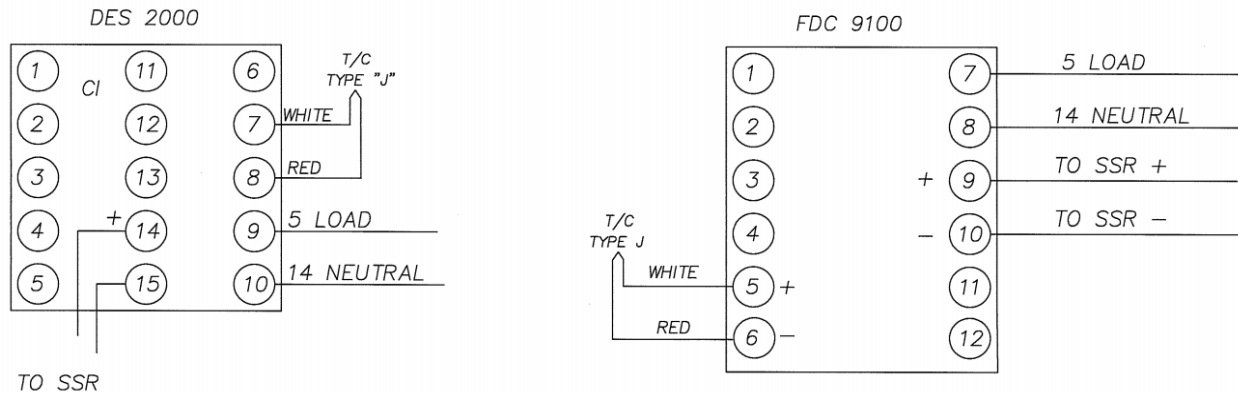


The DES2000 control part number 9-144749 is now obsolete and is being replaced by the FDC9100 control part number 9-403049. Following are instructions for replacing the DES2000 with the FDC9100



- MOVE THE WIRE FROM PIN 14 TO PIN 9
- MOVE THE WIRE FROM PIN 15 TO PIN 10
- MOVE THE WHITE WIRE FROM PIN 7 TO PIN 8
- MOVE THE RED WIRE FROM PIN 8 TO PIN 6
- MOVE THE POWER WIRE (LOAD) FROM PIN 9 TO PIN 7
- MOVE THE POWER WIRE (NEUTRAL) FROM PIN 10 TO PIN 9

### Control Programming:

Follow the programming instruction that came in the box with the control to enter or verify the following settings.

Press and hold the Scroll button for 5 seconds until SET is displayed to access the Setup parameters

Press the scroll button once to step through the setup parameters in the table below. Press the up or down arrow to change the setting. Press the scroll button once to enter the setting. Press the R button to exit the setup parameters.

Setup parameters:

Note: Codes not shown in this list are not used or should be left at factory setting.

Code	Parameter Description	Setting
LOCK	Select Parameters to be locked	nonE - during setup uSEr – after setup complete
INPT	Input sensor selection	J_tC
UNIT	Input unit selection	°C or °F
DP	Decimal point selection	No.dP
SP1L	Low limit of setpoint value	0 for °C, 32 for °F
SP1H	High limit of the setpoint value	Max operating temp of the oven.
SHIF	PV shift (offset) value	Used for oven calibration
FILT	Filter damping time constant of PV	2
PB	Proportional band value	4°C or 7°F
Ti	Integral time value	15 sec
TD	Derivative time value	0
OUT1	Output 1 Function	rEvR
Code	Parameter Description	Setting
O1TY	Output 1 type	SSrd
O1FT	Output 1 failure transfer mode	0
CYC1	Output 1 cycle time	1
OFST	Offset value for P control	0
RAMP	Ramp function selection	nonE
	Several setting that are unused	
SEL1	Select 1 <sup>st</sup> parameter for user menu	nonE
SEL2	Select 2nd parameter for user menu	nonE
SEL3	Select 3rd parameter for user menu	nonE
SEL4	Select 4th parameter for user menu	nonE
SEL5	Select 5th parameter for user menu	nonE
SEL6	Select 6th parameter for user menu	nonE
SEL7	Select 7th parameter for user menu	nonE
SEL8	Select 8 <sup>th</sup> parameter for user menu	nonE

Press the R button to exit the setup parameters

Change the LOCK Code to uSEr

Change the setpoint as needed using the up and down arrow keys.