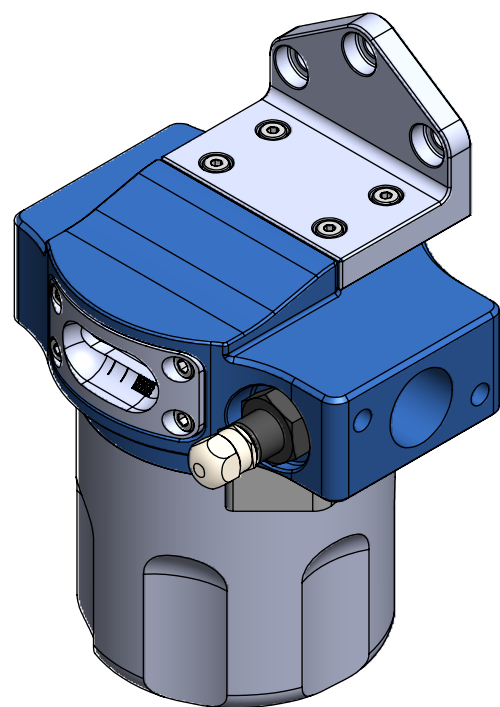
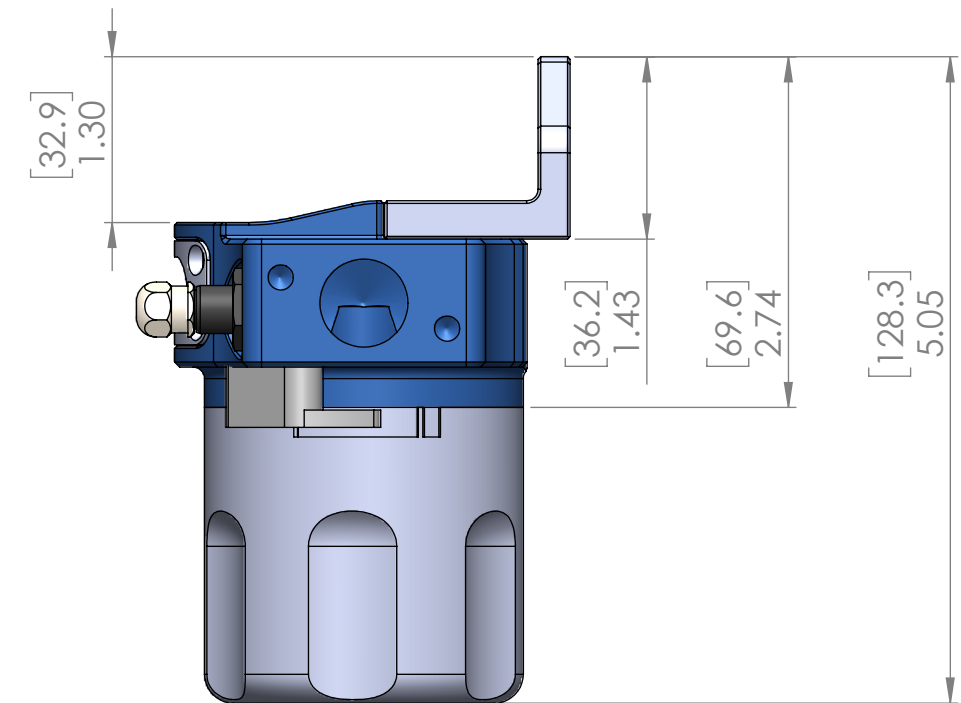
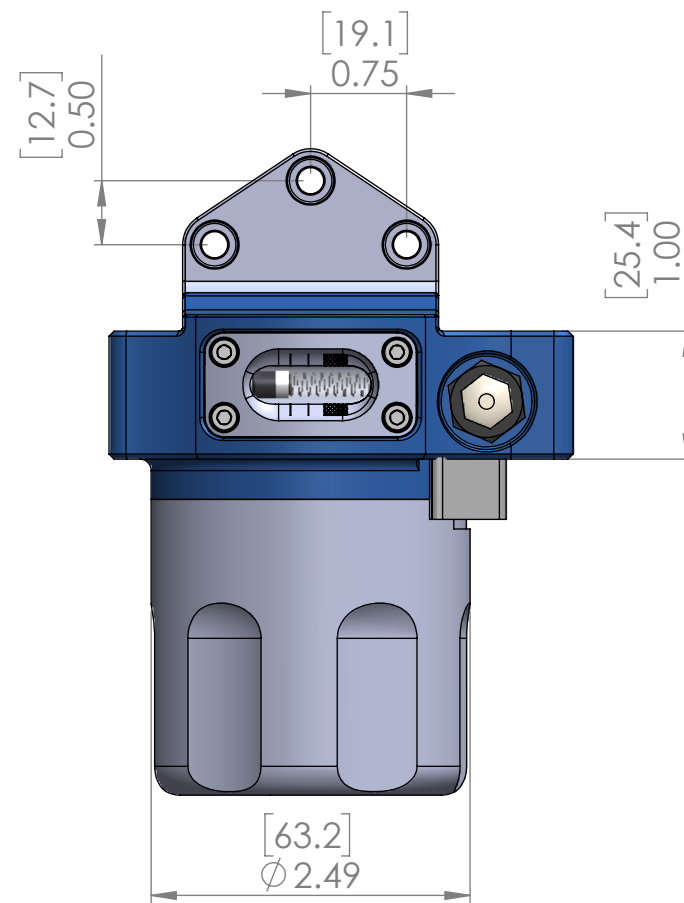
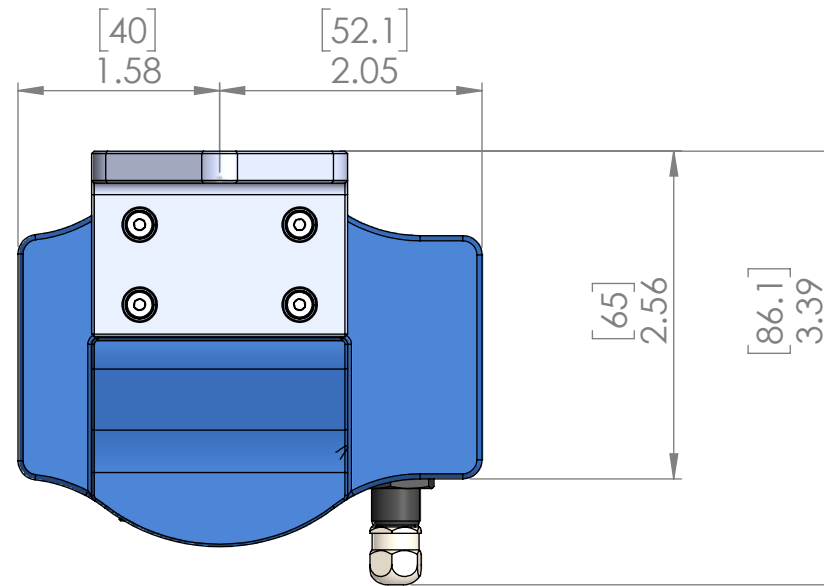
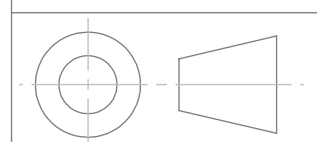


Notes:  
 Metric Dimensions (mm) in parentheses  
 Mounting Hardware 3x M5x 0.8, 20mm



THIRD ANGLE PROJECTION



**PROPRIETARY AND CONFIDENTIAL**  
 THE INFORMATION CONTAINED IN THIS DRAWING IS THE SOLE PROPERTY OF YAWPOWER PRODUCTS LLC. ANY REPRODUCTION IN PART OR AS A WHOLE WITHOUT THE WRITTEN PERMISSION OF YAWPOWER PRODUCTS LLC IS PROHIBITED.

UNLESS OTHERWISE SPECIFIED:

DIMENSIONS ARE IN INCHES  
 TOLERANCES:  
 FRACTIONAL ±  
 ANGULAR: MACH ±0.1 BEND ±0.5  
 TWO PLACE DECIMAL ±0.01  
 THREE PLACE DECIMAL ±0.005

INTERPRET GEOMETRIC TOLERANCING PER: ANSI Y14.5

MATERIAL

FINISH

DO NOT SCALE DRAWING

NAME DATE

DRAWN **GSW** 4/1/2016

APPROVED **JAK** 05/25/17

ENG APPR.

MFG APPR.

Q.A.

COMMENTS:

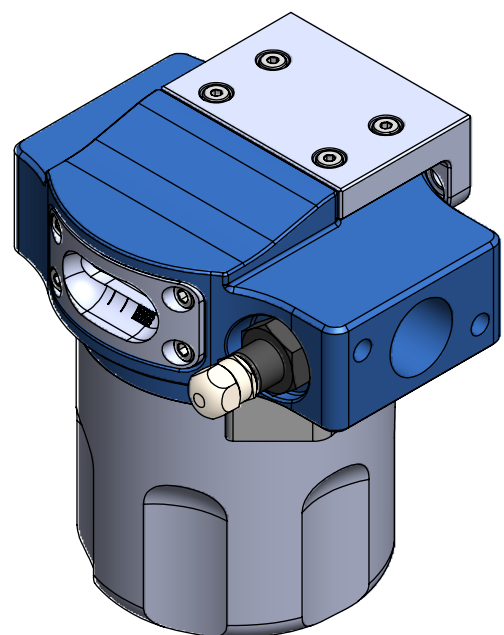
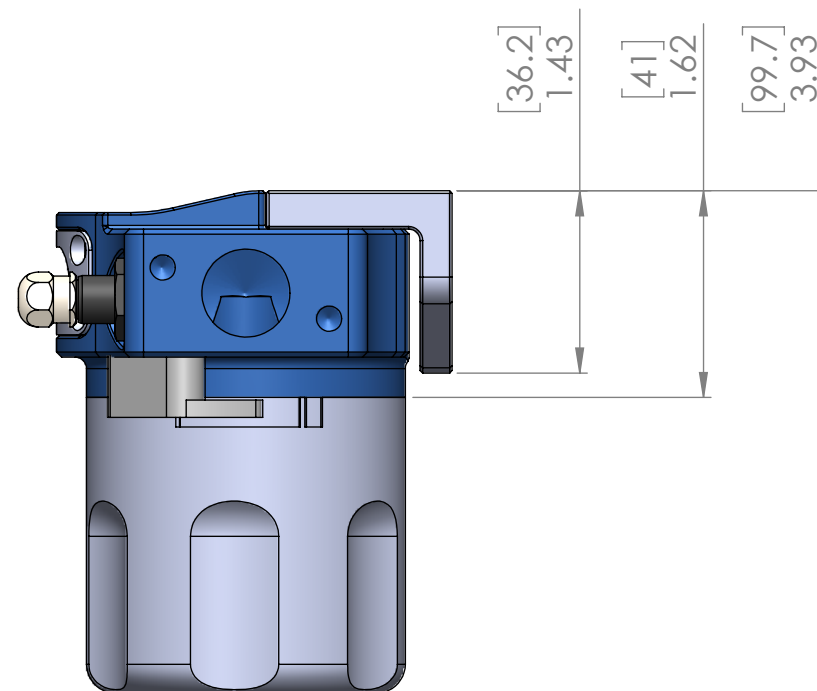
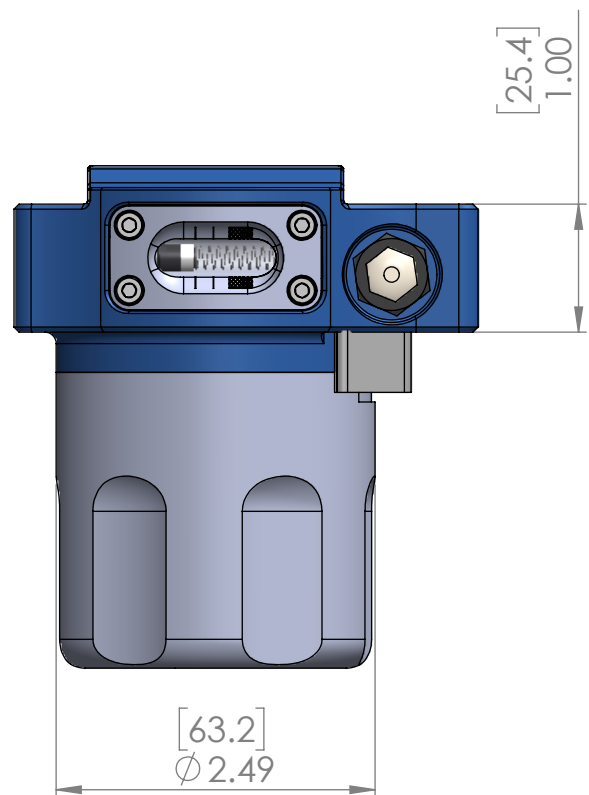
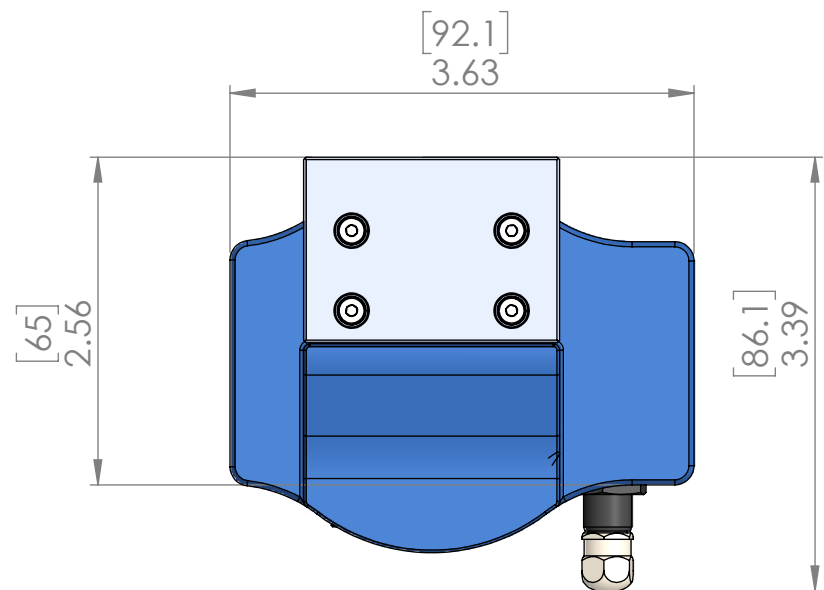


Description:  
**ID-F750 Basic Dimensions**

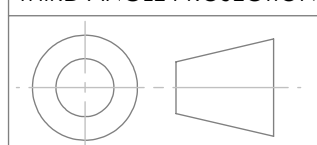
SIZE **B** Document Number: **000229** REV **B**

SCALE: 1:1.5 SHEET 1 OF 2

Notes:  
 Metric Dimensions (mm) in parentheses  
 For mount dimensions, view Sheet 1



THIRD ANGLE PROJECTION



**PROPRIETARY AND CONFIDENTIAL**  
 THE INFORMATION CONTAINED IN THIS DRAWING IS THE SOLE PROPERTY OF YAWPOWER PRODUCTS LLC. ANY REPRODUCTION IN PART OR AS A WHOLE WITHOUT THE WRITTEN PERMISSION OF YAWPOWER PRODUCTS LLC IS PROHIBITED.

UNLESS OTHERWISE SPECIFIED:

DIMENSIONS ARE IN INCHES  
 TOLERANCES:  
 FRACTIONAL ±  
 ANGULAR: MACH ±0.1 BEND ±0.5  
 TWO PLACE DECIMAL ±0.01  
 THREE PLACE DECIMAL ±0.005

INTERPRET GEOMETRIC TOLERANCING PER: ANSI Y14.5

MATERIAL

FINISH

DO NOT SCALE DRAWING

NAME DATE

DRAWN **GSW** 4/1/2016

APPROVED **JAK** 05/25/17

ENG APPR.

MFG APPR.

Q.A.

COMMENTS:



Description:  
**ID-F750 Basic Dimensions**

SIZE	Document Number:	REV
<b>B</b>	<b>000229</b>	<b>B</b>

SCALE: 1:1.5 SHEET 2 OF 2