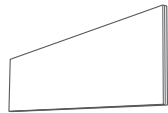
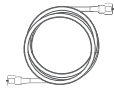


BOX INCLUDES



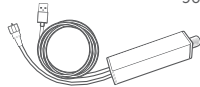
Blade Antenna



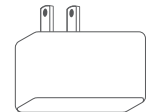
10 ft. Coaxial Cable



90° Coax Adapter



Power Injector



USB Power Adapter

Actual USB power adapter may differ in appearance.

Antenna Mounting Hardware



x2 - 3/16" x 32L Wood Screws



x2 - 16mm Wood Screws



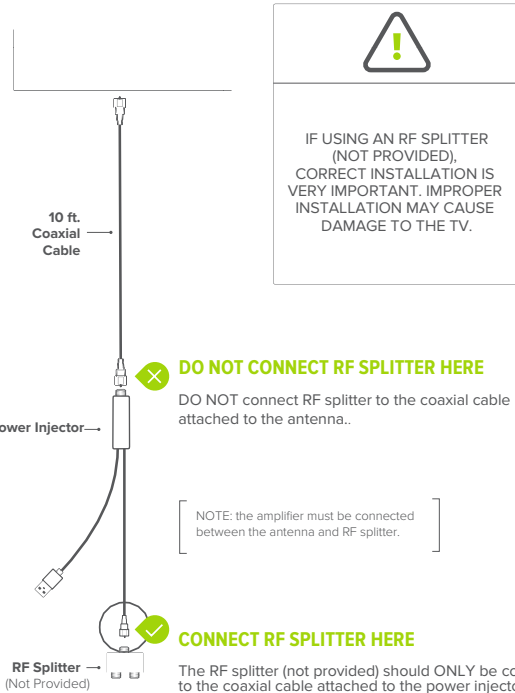
Safety Bracket



Antenna Kickstand

Para español, visite gomohu.com/setup

RF SPLITTER (NOT PROVIDED) INSTALLATION



MOHU® WARRANTY

Mohu® warrants to the original purchaser of this product that for a period of one (1) year from the date of purchase the product shall be free of defects in materials or workmanship, and will repair or replace, at its sole option, any defective product at no charge. In the event Mohu chooses to replace the product, such replacement product may be a different model than the one originally purchased.

This warranty shall not cover any damage arising from improper use of the product, including without limitation damage due to acts of nature (including without limitation weather-induced power surges and the like), use of the product in non-residential settings, accident, misuse or improper electrical/signal connections, improper installation, tampering, negligence, or product abuse. This warranty is valid only in the USA and Canada. There are no implied warranties of merchantability or fitness for a particular purpose unless otherwise required by law, and any such implied warranties are limited to the one (1) year term of this warranty.

GARANTÍA DE MOHU®

Mohu® garantiza al comprador original este producto por un periodo de un (1) año desde la fecha de compra el producto deberá estar libre de defectos en cuanto a materiales y de fabricación, y se reparará o reemplazará a discreción, cualquier producto defectuoso sin ningún costo. En caso que Mohu decida reemplazar el producto este podrá ser reemplazado por un modelo diferente al que compró originalmente.

Esta garantía no cubrirá los daños que surjan de un uso inadecuado del producto, incluidos sin estar limitados a daños ocasionados por la naturaleza (incluyendo, sobrecargas de energía inducidas por el clima y similares), el uso del producto en entornos no residenciales, accidentes, abusos o conexiones inadecuadas tanto eléctricas como de señal, instalación incorrecta, alteración, negligencia o abuso del producto. Esta garantía es válida solo en los EE.UU y Canadá. No existen garantías implícitas de comerciabilidad o conveniencia para un determinado propósito a menos de que estas sean requeridas por la ley, y cualquiera de este tipo de garantías implícitas estará limitada al término de un (1) año.



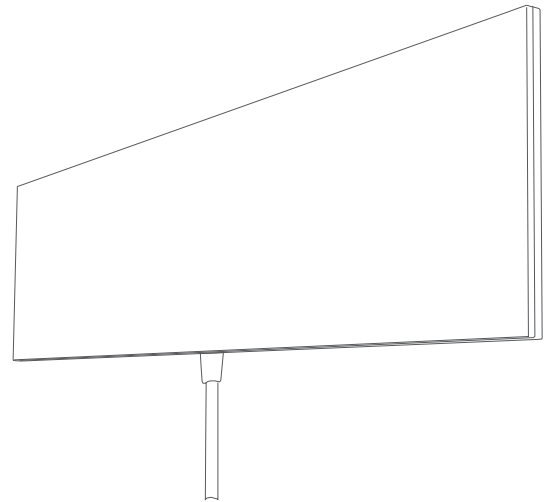
If you have any difficulties with the installation of your antenna, please contact Mohu®.

Si tiene cualquier dificultad con la instalación de su antena, por favor contacte a Mohu®.

SUPPORT@GOMOHU.COM || 1.855.446.6648 || WWW.GOMOHU.COM

móHU® blade™

INDOOR / OUTDOOR AMPLIFIED HDTV ANTENNA



IMPORTANT!



FOLLOW ALL SAFETY PROCEDURES, WARNINGS AND INSTRUCTIONS WHEN INSTALLING YOUR ANTENNA.

SAFETY PROCEDURES

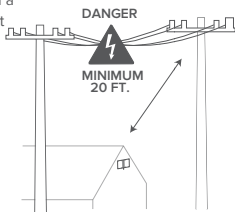
- Make sure there is another person present (on the ground) while installing the antenna.
- DO NOT attempt to mount the antenna on a windy, rainy or snowy day.



MOUNT THE ANTENNA AT LEAST 20 FT. FROM ALL POWER LINES OR UTILITY POLES.

POWER LINE WARNING

If you intend to mount the antenna on a rooftop, make sure to mount it at least 20 ft. away from any power lines or utility poles.



1

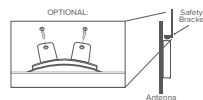
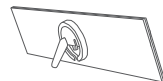
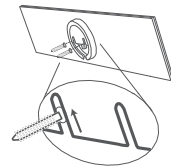
Use the included template on the bottom of this page to mark your mounting surface with the correct screw placement.

Use the 3/16" 32L wood screws for mounting in the holes you have marked with the template.

You can also insert the included kickstand in one of the two screw slots to sit the antenna on a flat surface.

OPTIONAL:

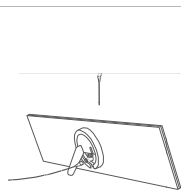
To secure your antenna, install the included safety bracket above the antenna to block the antenna from being raised and removed from the screw slots.



2

Attach end of the 10 ft. coaxial cable to the connector on the antenna.

When antenna is sitting on a flat surface, use the included 90° coax adapter.



3

Run the free end of the 10 ft. coaxial cable from the mounting location to the location of the TV. Connect the 10 ft. coaxial cable to the connector on the power injector. If needed, additional coaxial cable can be added. Excessive cable may cause reception loss.

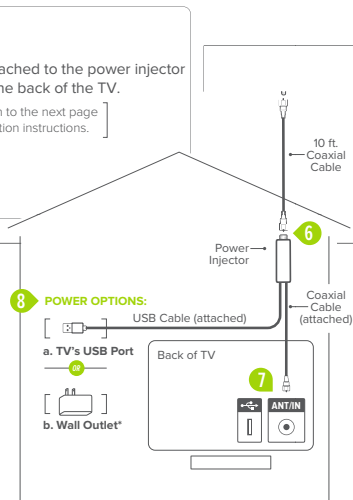
4

Connect the coaxial cable attached to the power injector to the ANT/IN connector on the back of the TV.

[NOTE: If using an RF splitter, turn to the next page] and follow the RF splitter installation instructions.

5

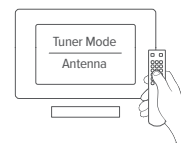
The power injector must be powered in order to function. Plug the amplifier's USB cable into an open USB port on the back of the TV. If the TV does not have a USB port, use the included power adapter via any standard 120V wall outlet.



*Actual USB power adapter may differ in appearance.

6

In the TV's setup menu, set the tuner mode to "Antenna" or "Air". Refer to the TV manual for detailed instructions.



7

In the TV's setup menu, set TV to "scan" for channels. This can sometimes be listed as auto-program, auto-scan, channel search or channel scan. Refer to the TV manual for detailed instructions.



WALL MOUNT TEMPLATE



Place this manual on your wall or other intended mounting surface. Use these targets to mark your wall through the paper. You will drive screws into these spots and the antenna will mount perfectly.

