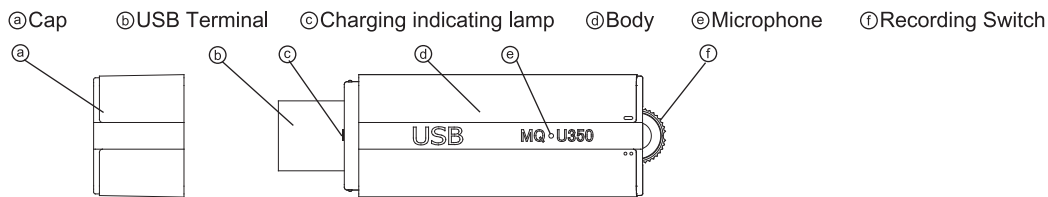


## Cautions in use

- \* We are not responsible for the loss of recordings caused by wrong usage, A/S, other reasons.
- \* We are not responsible for the damage or third party's claims caused by the usage of this product.
- \* Please save the important recordings into PC immediately.

## Name of each part



## Charging

- \* This product has built-in rechargeable battery.
- \* Please charge it before use.
- \* When you open a) cap and connect b) USB terminal into the USB port of PC, c) charging indicating lamp is turned on and charging starts.
- \* When charging is completed, charging indicating lamp blinks.

## Battery remains indication

- \* When recording starts or the body is separated from PC or USB adaptor after charging, the lamp indicates battery remains in three stages for 5 seconds according to battery remains.

Lamp indication	Turned off	Blinking	Turned on
Battery remains	0~30%	30~70%	70~100%

## Connecting into PC (PC O/S: Windows XP, Viata, 7, 8, 10)

- \* When this device is connected into the USB port of PC after making recording switch in stop position, it is recognized as a removable disk.
- \* For playback, please use the music playback software of PC.
- \*\* Caution : When you take the product out of PC, please be sure to perform "safe removal of hardware". If you remove USB forcibly, fatal error can happen to the product.

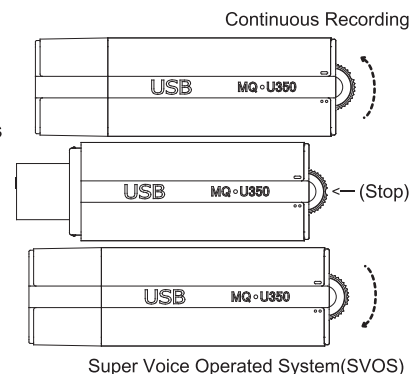
## Time setup before recording

- \* After connecting it into PC, please perform the program of "Time Setup" saved in the product by double-click and press the Start button of "date\_time\_cfg creator" and separate the product from PC.
  - \* When lamp blinks rapidly and is turned off after c) charging indicating lamp indicates battery remains, time setup is completed.
  - \*\*Caution1 : date and time configured in PC is set up automatically.
  - \*\*Caution2 : When battery is discharged, date is initialized. Please perform time setup again before recording.
  - \*\*Caution3 : Please copy the program of Time Setup into PC and keep it.
- In case that product is formatted or program is deleted, you can copy the program into product and use it.



## Recording

- \* When you turn c) recording switch to the direction of 『 ─ 』, **continuous recording starts** after about 5 seconds.
- \* When you turn c) recording switch to the direction of 『 •• 』, **super voice operated system(SVOS) starts** after about 5 seconds. In case of super voice operated system, if there is no sound for 1 minute during recording, it saves recording and is converted to standby mode and start recording again automatically when sound is detected. (Max recording standby time : about 25 days)
- \* When you move the slot of c) recording switch to the center, recording stops and current recordings are saved. Recording file is saved in the folder of VOICE as a format of MP3.
- \* **Recording for a long time(use of external power)** : When you connect it into PC or USB adaptor during recording, you can record for a long time. While you record for a long time, charging indicating lamp blinks in the interval of 5 seconds and you can record up to the recording time per memory.

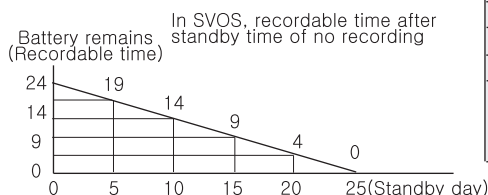


## Format

- \* When you format MemoQ(removable disk), all data of product is deleted.
- \*\* Caution : It supports the format type of FAT32 only. If you change to other type, product can not work properly.
- \*\* Caution : Data deleted once can not be restored.

## Specifications

Model	FD50		
	Memory	8GB	16GB
Recording time	about 288 hrs	about 576 hrs	about 1152 hrs
Hours of battery use	about 24 hrs		
Super Voice Operated System(SVOS)	Recording standby time : about 25 days		
	Voice detection level : about 60dB(A)		
Max number of recording files	999 files		
Dimension, Weight	68(W) x 21(H) x 11(D), 14.7g		
Battery type	3.7V, Li-Polymer 180mA		
Usage environment	Temperature:0~ 40°C, Humidity:20~80%		
Accessory	User's manual		



## Warranty Card

Product name	USB Memory & Voice Recorder	
Model no.	FD50	
Purchasing date		
Purchasing place		
Tel.		
Etc.		
Warranty period	One year from purchasing date	
Customer	Name	
	Address	
	Tel.	

- Paid service**
- Defect caused by careless use.
  - Defect caused by user's internal modification.
  - Defect caused by natural disasters like fire, salt damage, flood, earthquake, etc.
  - Defect out of warranty period.