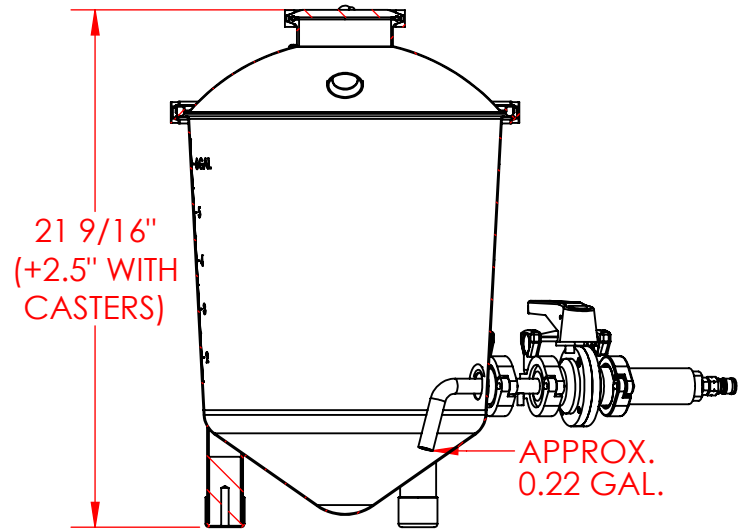
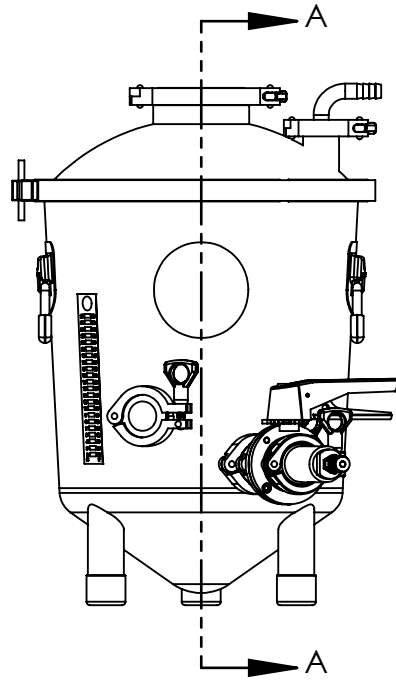
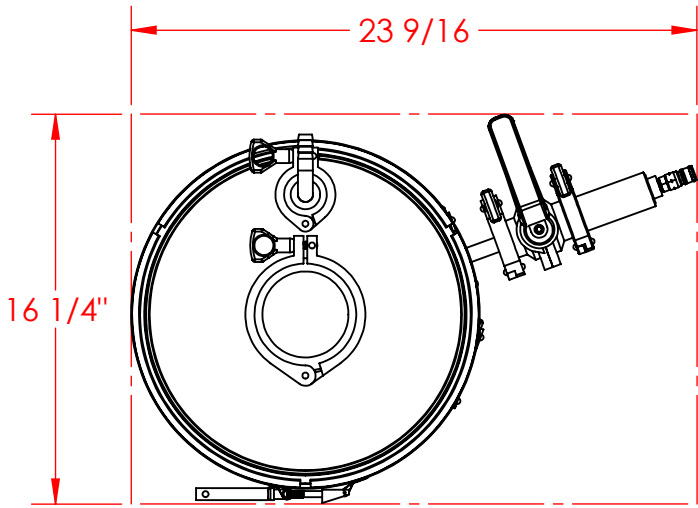


2

1

B

B



SECTION A-A
SCALE 1 : 8

A

A

PROPRIETARY AND CONFIDENTIAL
 THE INFORMATION CONTAINED IN THIS DRAWING IS THE SOLE PROPERTY OF SPIKE BREWING, LLC. ANY REPRODUCTION IN PART OR AS A WHOLE WITHOUT THE WRITTEN PERMISSION OF SPIKE BREWING, LLC IS PROHIBITED.

| | | |
|-------------|---------|--|
| | | UNLESS OTHERWISE SPECIFIED: DIMENSIONS ARE IN INCHES TOLERANCES: FRACTIONAL ± ANGULAR: MACH ± BEND ± TWO PLACE DECIMAL ± 0.01in. ± 0.25mm THREE PLACE DECIMAL ± |
| | | INTERPRET GEOMETRIC TOLERANCING PER: |
| | | MATERIAL 304 SS |
| | | FINISH MIRROR POLISH |
| NEXT ASSY | USED ON | |
| APPLICATION | | DO NOT SCALE DRAWING |

| | NAME | DATE | REV | DESCRIPTION OF CHANGE |
|---------------|----------|--|----------|-----------------------|
| REVISED | | | | |
| REVISED | | | | |
| DRAWN | R. DAUSS | 3/26/19 | 00 | Initial Release |
| SPIKE BREWING | | TITLE: Spike Flex+ Vol./Height Template | | |
| SIZE | DWG. NO. | | REV | |
| A | | | 1 | |
| SCALE: 1:12 | | | WEIGHT: | SHEET 1 OF 1 |



2

1