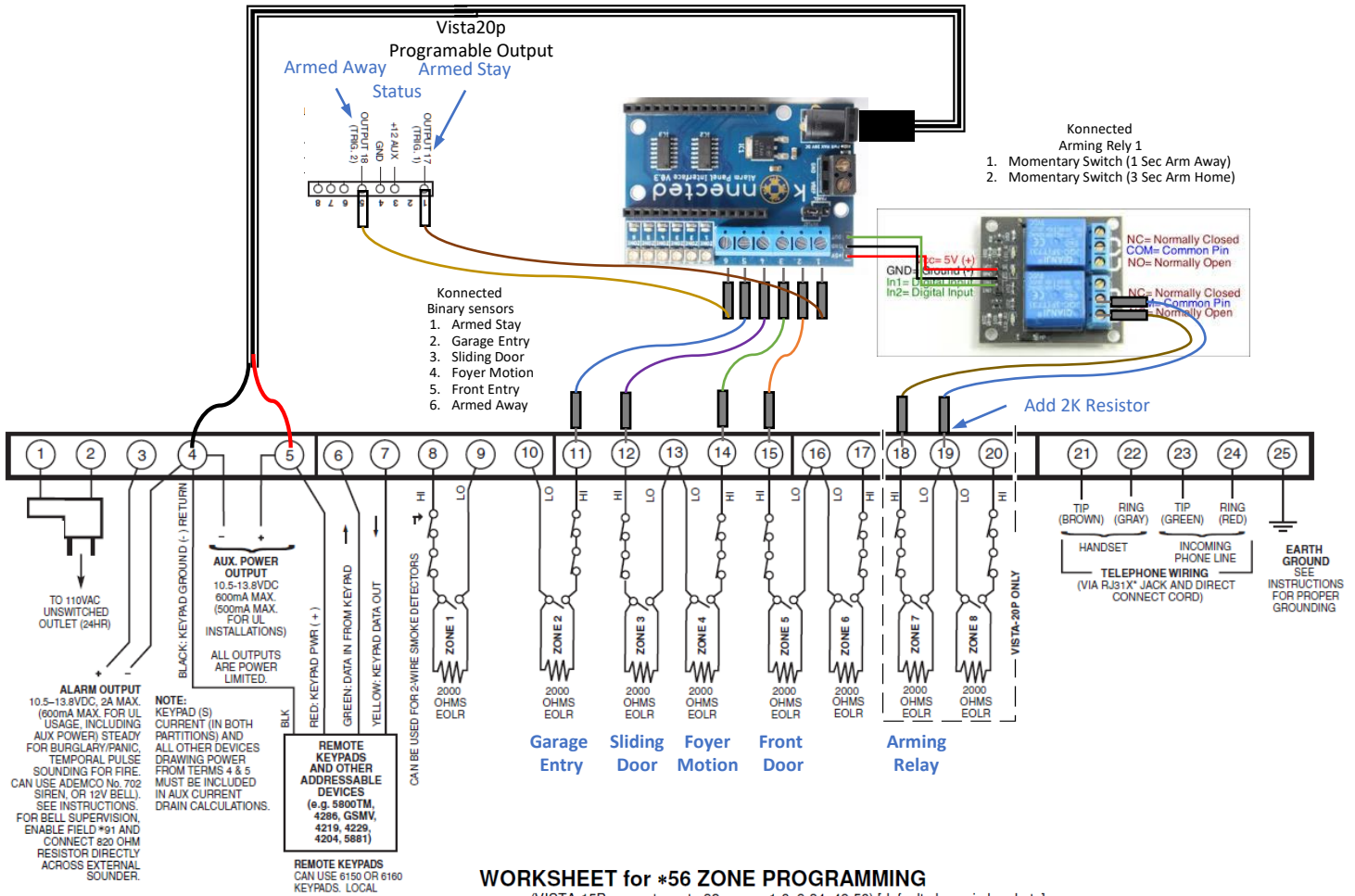


# Ademco Vista 20P Installation and Programming with Konnected Interface Board



## \*79 Output Programming

- Output No 17, Normal Output = 0 (High)
- Output No 18, Normal Output = 0 (High)

## \*80 Output Programming

Output Function Number (V20P=1-48) (V15P=1-24)	Activation Type and Detail			Partition Number (P) (if using ZT trig) 0 = any 1 = partition 1 2 = partition 2 3 = common	Event (for zone list/activated by)		Action 0 = off 1 = close 2 secs 2 = stay closed 3 = pulse 4 = toggle 5 = duration 1†† 6 = duration 2††	Output Number V20P=1-18 V15P=1-8, 17, 18	Device Type R = relay T = trigger X = X10
	Activated by 0=delete 1=zn list 2=zn type 3=zn no.	Zone List (ZL) 1-8 = list	Zone Type (ZT) (see table below)		Zone No. (ZN) 00=none V20P: 01-64 V15P: 01-06, 09-34, 49-56	By Zone List			
1	2		21		0		2	18	Arm Away
2	2		22		0		0	18	Disarm
3	2		20		0		2	17	Arm Home
4	2		22		0		0	17	Disarm

Arm Away  
Disarm  
Arm Home  
Disarm

# Home Assistant Setup And User Interface

## A few key learnings

- There is no need for relay programming on Vista
- There is no need for keyswitch LED programming
- Don't tune the potentiometers too close to the transition point. This led to false alarms for me.
- Put the system in the "armed" state to tune the potentiometers for the state binary sensors
- There must be both arming and disarming output function programming
- The armed status sensors are Normally Open circuits so the state is 'on' when not armed
- A minimum 1 sec (1000 millisecond) momentary switch interruption is needed for the Vista to recognize it reliably and arm the system
- Zone out can be programmed to serve multiple roles (Arm Home and Arm Away) with the same relay.
- I'm still working on the automations, but it's AWESOME!

```
#Enable connected Alarm Panel
connected:~
  access_token: !secret connected_token
  api_host: http://10.0.0.38:8123
  devices:~
    id: 007d3a3e0b1f
    binary_sensors:~
      zone: 1
      type: safety
      name: Armed Home
      zone: 2
      type: door
      name: Garage Entry
      zone: 3
      type: door
      name: Sliding Door
      zone: 4
      type: motion
      name: Foyer Motion
      zone: 5
      type: door
      name: Front Entry
      zone: 6
      type: safety
      name: Armed Away
    switches:~
      zone: out
      name: Arm Away
      momentary: 1000
      zone: out
      name: Arm Stay
      momentary: 3000
      zone: out
      name: Disarm
      momentary: 1000
```

```
alarm_control_panel:~
  platform: manual
  name: Alarm Panel
  code: !secret alarm_code
  trigger_time: 300 #time alarm stays in triggered state
  disarmed:~
  trigger_time: 0 #will never trigger when disarmed
  armed_home:~
  delay_time: 0 #time you need to leave the house but not leaving
  pending_time: 0 #time you have before alarm because not leaving
  armed_away:~
  delay_time: 45 #time you need to leave the house before leaving (Vista 20p minimum is 45 secs)
  pending_time: 30 #time you need to disarm alarm when entering the house
  triggered:~
  pending_time: 0 #adds to pending time for the armed state (just another variable to times above)
```

