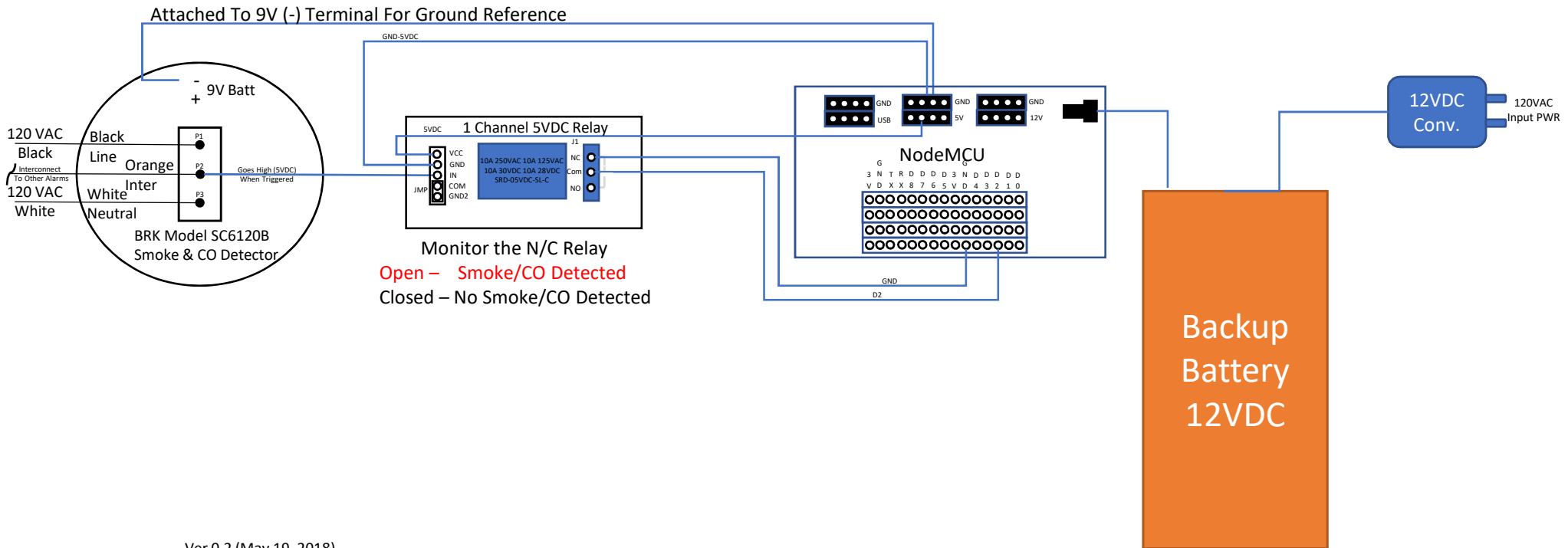


Prototype Hardwired Smoke & CO Sensor BRK Model SC6120B / Detection Monitor With ESP8266 Greg A. Gordon April 14, 2018



Ver 0.2 (May 19, 2018)