

BATEC RAPID 2



COLOUR

GRAPHITE with RED accents

MAX. SPEED

30 Km/h

AUTONOMY

22 km* with 280-Wh battery

50 km* with 678-Wh battery

MOTOR

300-RPM, high-torque brushless motor

Nominal power: 1200 W

Peak power: 1300 W

Reverse gear

BATTERY AND CHARGER

Batteries with connector only suitable for use with the BATEC RAPID 2 and BATEC SCRAMBLER

48V - 678 Wh

Delivered with fast 3A charger

Option of battery suitable for air travel 36/48 W - 280 Wh **

FRAME

Black aluminium 7005 T6

Black headset 1.1/8

Detachable dropout

HANDLEBAR

Matte black aluminium handlebar

BRAKES

Avid BB7 mechanical brakes

Avid Speed Dial brake levers

180-mm Galfer Wave floating rotor disc

WHEEL

18" x 2.40" ultra-gripping tyres

18" black aluminium double-wall rim

STANDARD FEATURES

700-lumen LED front light with running lamp

Dual LED tail light on the stand frame

All-in-one LCD screen with cycle computer and battery gauge

USB port

Horn

BATEC ACOPLA support

Removable QR weights Scrambler

BATEC ASA

WEIGHT

15.9 kg (without battery/weights)

COMPATIBLE ACCESSORIES

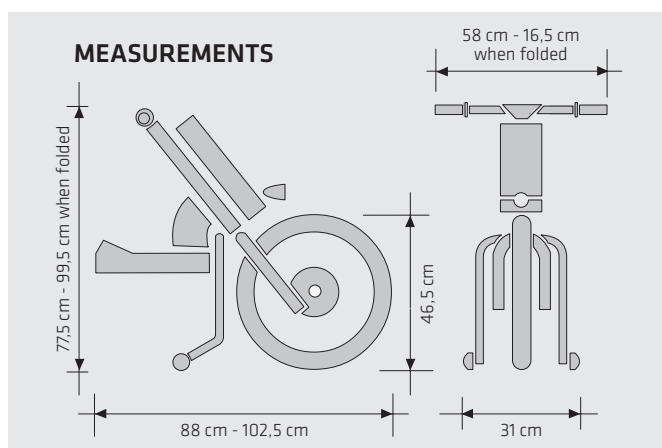
BATEC BOSSA rucksack

BATEC EXCURSION2 front rucksack

BATEC RODES off-road wheels

Smartphone holder

BATEC ACOPLA comes standard



*Autonomy calculated with: 75-kg user, ultra-light wheelchair, flat terrain, no wind and a steady speed of 15 km/h. May vary ± 20 % depending on the battery. | ** Can't be chosen as the main battery. Limits the performance of the BATEC RAPID 2 as it is only 36 V. | Number/Version: MM-012/1.0