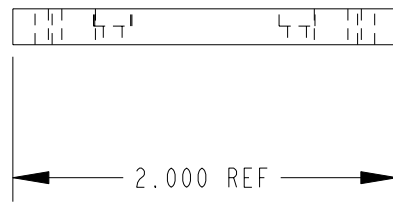
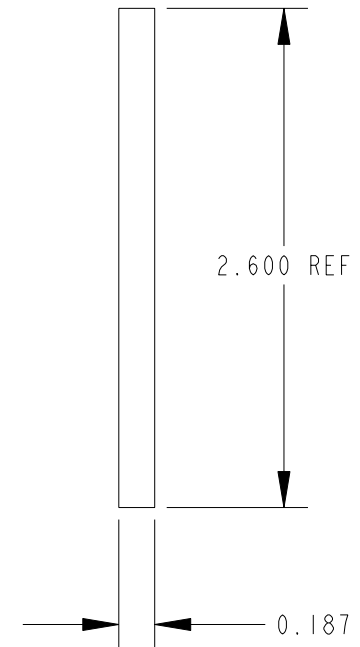
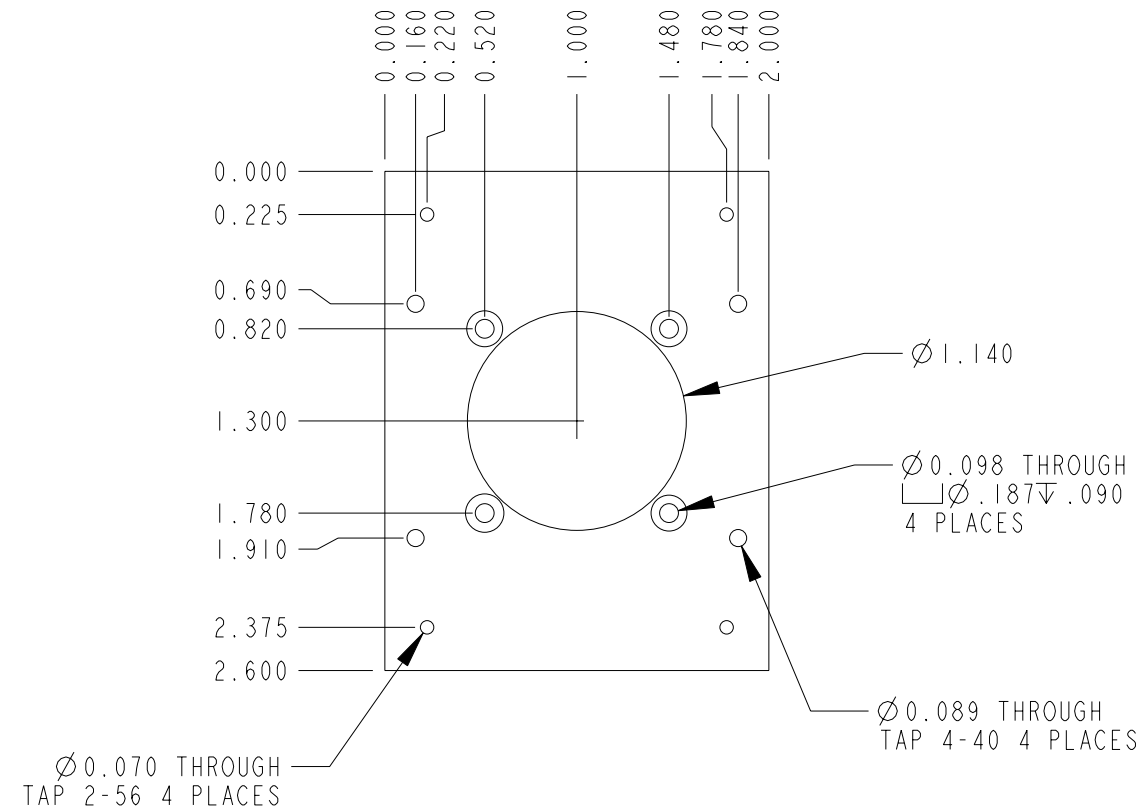
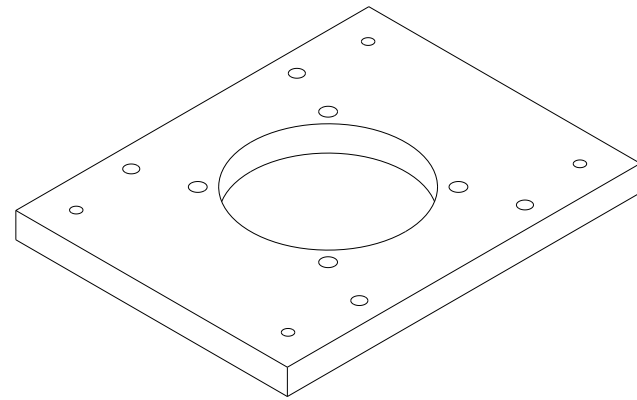


REVISION TABLE

NO.	DESCRIPTION	DATE	INITIALS
01	INITIAL RELEASE	JUNE 1 2006	CMP
02	ADJUSTED 1/4-20 MOUNT HOLES; C'BORES	SEPT 21 2006	CMP




NOTES:

- 1) PixelINK PART NUMBER 05422-02.
- 2) FINISHED PART SHALL BE RoHS COMPLIANT.
- 3) ALL DIMENSIONS INCHES.
- 4) INTERPRET DRAWING AS PER ASME Y14.5M - 1994.
- 5) TAP HOLES AS INDICATED.
- 6) MATERIAL: ALUMINUM 6061 OR 5052 H32.
- 7) REMOVE ALL SHARP EDGES AND BURRS IN MACHINED AREAS
- 8) FINISH: CLEAR IRRIDITE.
- 9) FOR IGES MODEL SEE FILE V0347.
- 10) SEE ADDITIONAL SHEETS FOR DETAILS.
- 11) TOLERANCES UNLESS OTHERWISE SPECIFIED ARE:

LINEAR
 .X = ± 0.1
 .XX = ± 0.02
 .XXX = ± 0.005
 ANGULAR
 .X = ± 0.5°

THE INFORMATION CONTAINED IN THIS DOCUMENT IS CONFIDENTIAL AND SHALL NOT BE MADE PUBLIC OR COPIED OR USED AS THE BASIS FOR THE MANUFACTURE OR SALE OF ITEMS UNLESS SPECIFICALLY AUTHORIZED IN WRITING BY PixelINK. THIS DOCUMENT IS THE PROPERTY OF PixelINK, OTTAWA, ONTARIO AND IS SUBJECT TO RETURN ON DEMAND



PixelINK

TITLE		
PL-B OEM FRAME		
DRAWN BY: CMP	DRAWING NUMBER V0347	REVISION 02
APPROVED BY: CMP DESIGN	SCALE: 1.000	SHEET 1 OF 1
DATE PRODUCED: JUNE-1-2006	SHEET SIZE: B	