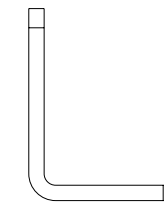
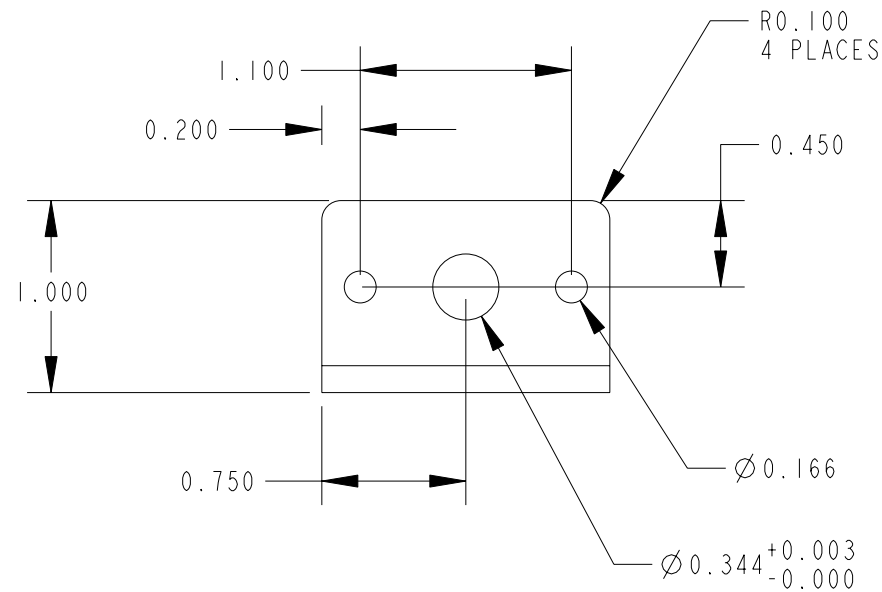
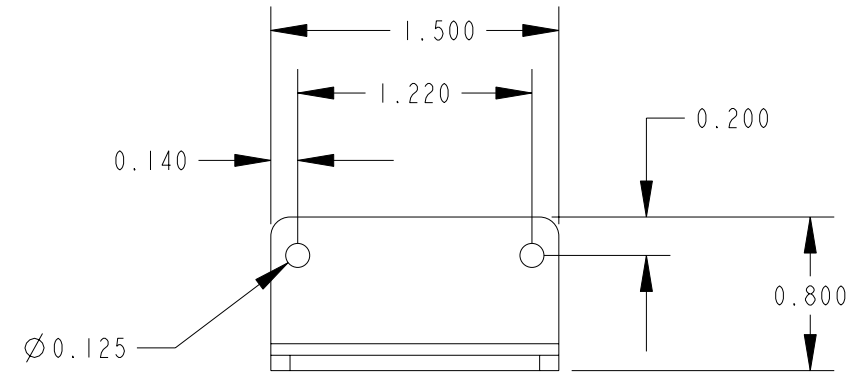
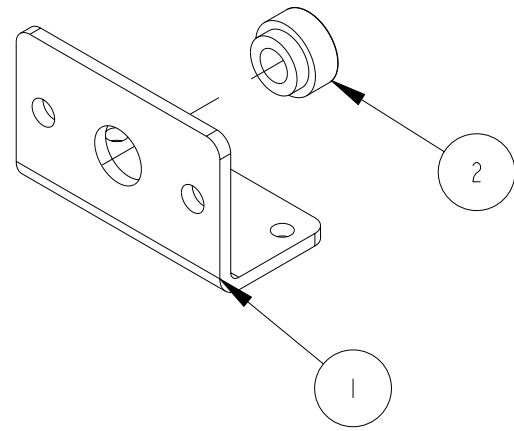
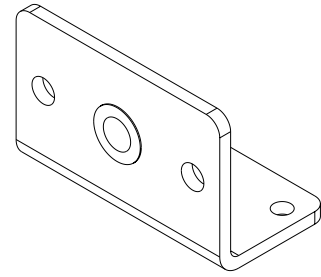


REVISION TABLE

NO.	DESCRIPTION	DATE	INITIALS
01	INITIAL RELEASE FOR 3RD GENERATION	AUG 15 2005	CMP
02	SIZE UPDATED	OCT 4 2006	CMP



NOTES:

- 1) PixelINK PART NUMBER: 05864-01.
- 2) ALL DIMENSIONS INCHES.
- 3) INTERPRET DRAWING AS PER ASME Y14.5M - 1994.
- 4) MATERIAL: ALUMINUM 5052-H32, .080 THICK
- 5) INSTALL ITEM 2 AS SHOWN
- 6) REMOVE ALL SHARP EDGES AND BURRS IN MACHINED AREAS.
- 7) CLEAN OFF ALL RESIDUE PRIOR TO FINISHING.
- 8) FINISH: CLEAR IRRIDITE.
- 9) FOR IGES MODEL SEE FILE V0331.IGS.
- 10) TOLERANCES UNLESS OTHERWISE SPECIFIED ARE:

LINEAR	
.X	= ± 0.1
.XX	= ± 0.02
.XXX	= ± 0.005
ANGULAR	
.X	= ± 0.5°

ITEM	DESCRIPTION	QTY
2	PEM CLS-0420-1 SS 1/4-20 NUT	1
1	1/4-20 MOUNT	1
BILL OF MATERIALS		



TITLE
PL-B OEM FRAME 1/4-20 MOUNT

THE INFORMATION CONTAINED IN THIS DOCUMENT IS CONFIDENTIAL AND SHALL NOT BE MADE PUBLIC OR COPIED OR USED AS THE BASIS FOR THE MANUFACTURE OR SALE OF ITEMS UNLESS SPECIFICALLY AUTHORIZED IN WRITING BY PixelINK. THIS DOCUMENT IS THE PROPERTY OF PixelINK, OTTAWA, ONTARIO AND IS SUBJECT TO RETURN ON DEMAND

DRAWN BY: CMP	DRAWING NUMBER V0331	REVISION 02
APPROVED BY: CMP DESIGN	SCALE: 1.000	SHEET 1 OF 1
DATE PRODUCED: AUG-15-2005	SHEET SIZE: B	