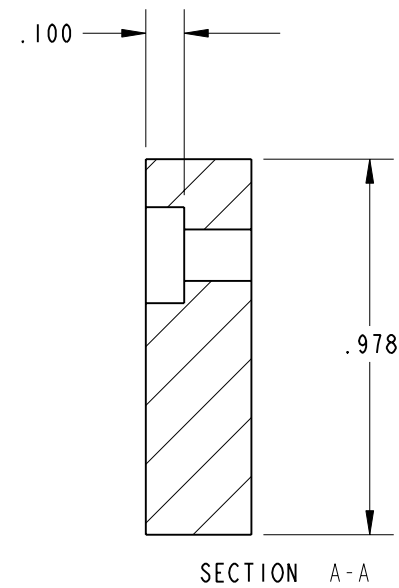
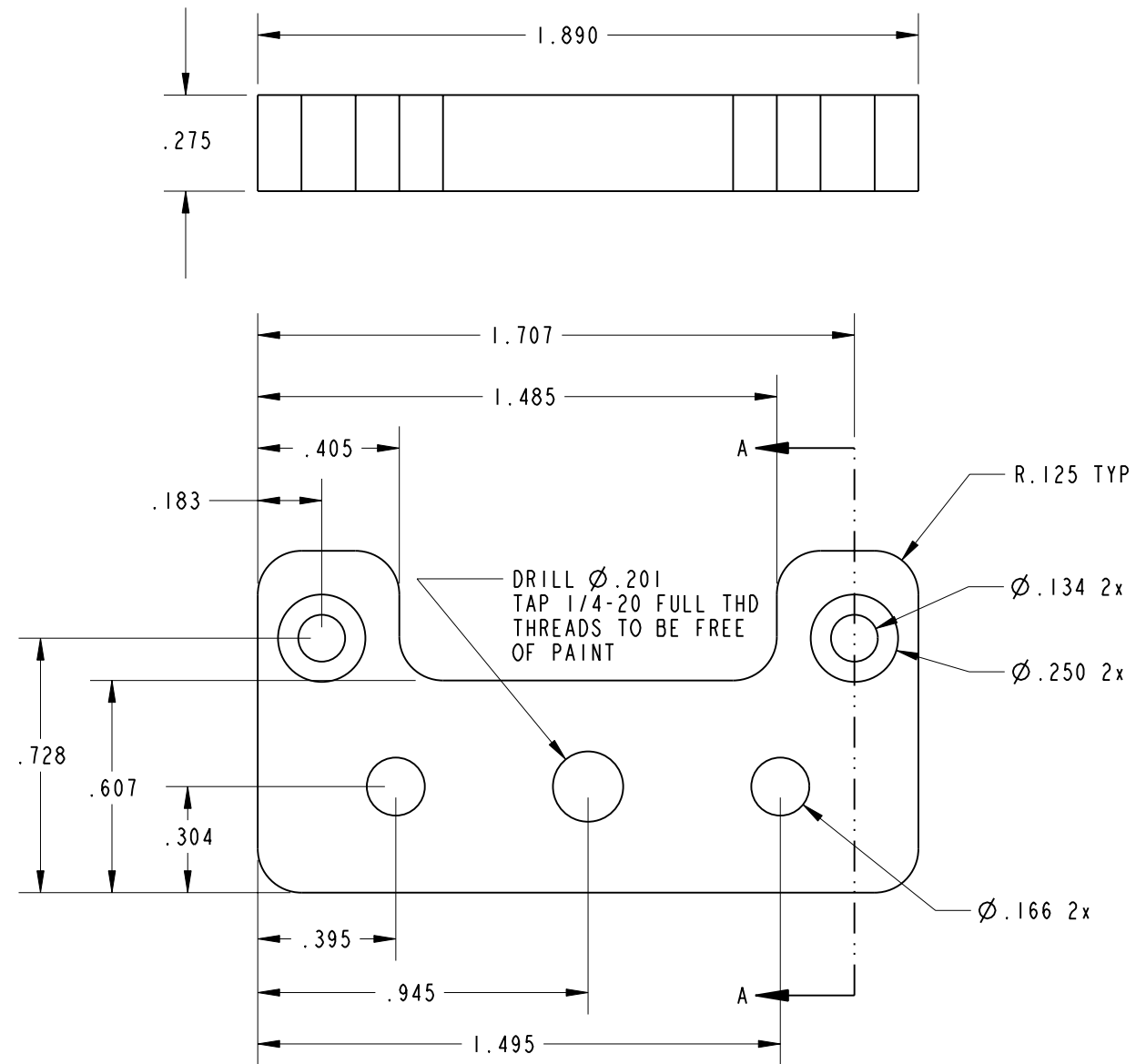


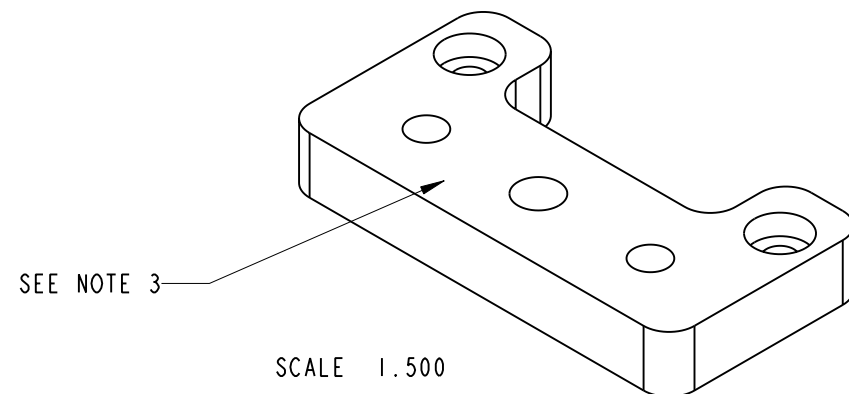
REVISION TABLE

NO.	DESCRIPTION	DATE	INITIALS
01	INITIAL RELEASE	MAY 28, 2003	CMP
02	REDUCED THICKNESS	JUN 9, 2003	CMP
03	CHANGED PAINT COLOUR	AUG 20, 2003	CMP
04	MODIFIED PAINT NOTE	SEPT 4, 2003	CMP
05	ADDED PLATING NOTE	OCT 24 2003	CMP
06	RoHS NOTES	APRIL 20 2006	CMP



NOTES:

- 1) PixelINK PART NUMBER: 04235-02
- 2) **FINISHED PART SHALL BE RoHS COMPLIANT.**
- 3) PART SHALL BE STAMPED OR ENGRAVED WITH LETTER 'R' TO IDENTIFY PART AS BEING RoHS COMPLIANT. MARKING SHALL BE VISIBLE AFTER PAINTING.
- 4) ALL DIMENSIONS INCHES
- 5) INTERPRET DRAWING AS PER ASME Y14.5M - 1994
- 6) MATERIAL: ALUMINUM 6061-T651
- 7) TAP HOLES AS INDICATED.
- 8) REMOVE ALL SHARP EDGES AND BURRS IN MACHINED AREAS.
- 9) FINISH: CLEAR IRRIDITE COATING THEN POWDER PAINT: PROTECH PX51IS28 (SILVER SANDTEX). 1/4-20 THREADS TO BE FREE OF PAINT.
- 10) FOR IGES MODEL SEE FILE V0240.IGS
- 11) TOLERANCES UNLESS OTHERWISE SPECIFIED ARE:
 - LINEAR
 - .X = ± 0.1
 - .XX = ± 0.02
 - .XXX = ± 0.005



TITLE		
PL-A741 1/4-20 MOUNT		
DRAWN BY:	DRAWING NUMBER	REVISION
CMP	V0240	06
APPROVED BY:	SCALE:	SHEET 1 OF 1
CMP	1.000	
DATE PRODUCED:	SHEET SIZE:	
28/05/03	B	

THE INFORMATION CONTAINED IN THIS DOCUMENT IS CONFIDENTIAL AND SHALL NOT BE MADE PUBLIC OR COPIED OR USED AS THE BASIS FOR THE MANUFACTURE OR SALE OF ITEMS UNLESS SPECIFICALLY AUTHORIZED IN WRITING BY PixelINK. THIS DOCUMENT IS THE PROPERTY OF PixelINK, OTTAWA, ONTARIO AND IS SUBJECT TO RETURN ON DEMAND