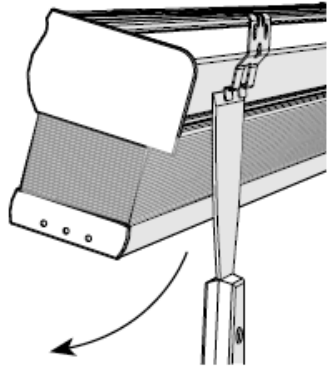


TASK: RTS Cord Lift Motor Removal and Replacement

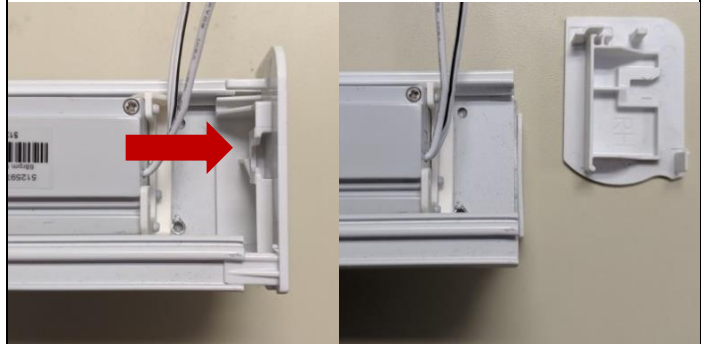
Use If/When: Motor needs to be replaced

Tools Needed: Paint Scraper/Flat Head Screw Driver, Phillip's Head Screw Driver

1. Remove shade from installation brackets using wide bladed device such as a paint scraper. Insert tool between the headrail and the bracket.



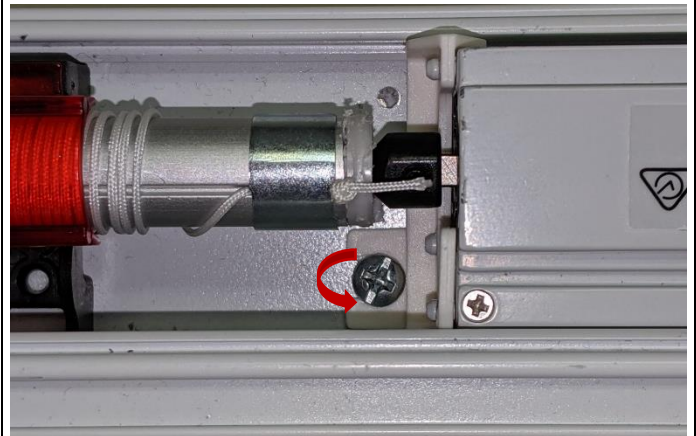
2. Remove the right-hand endcap from the shade.



3. Remove the plastic dust cover.



4. Loosen the screw securing the foot of the motor to the headrail.



TASK: RTS Cord Lift Motor Removal and Replacement

Use If/When: Motor needs to be replaced

Tools Needed: Paint Scraper/Flat Head Screw Driver, Phillip's Head Screw Driver

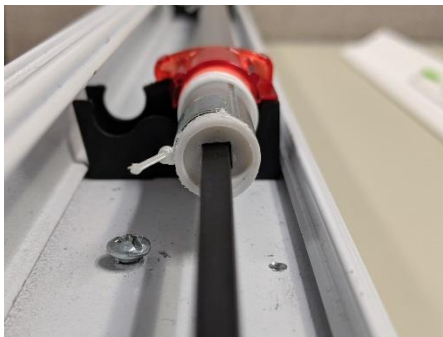
5. Slide the motor out of the headrail. (Removing the motor releases tension on the silver lift tube, it is recommended to have the shade laying down flat.)



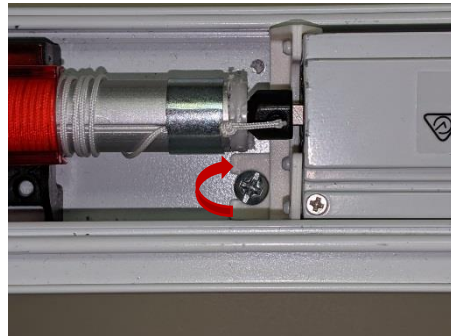
6. Insert the replacement motor into the headrail. Be sure to insert the feet of the motor into the slots at the bottom of the headrail.



7. It may be necessary to turn the silver lift tube to align the hole with the motor driveshaft.



8. With the replacement motor fully inserted, tighten the screw to secure the foot of the motor.



9. Reattach the dustcover.



10. Reattach the right-hand endcap.



11. Reinstall the shade into the brackets.

12. Refer to the appropriate users guide for programming instructions.