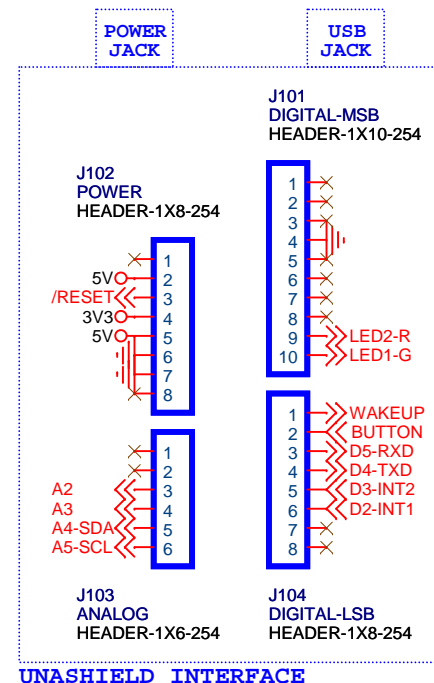




RESERVED (NC)  
 IOREF (5V)  
 RESET (/RESET)  
 3V3 (3V3)  
 5V (5V)  
 GND  
 GND  
 VIN (NC)

A0 (NC)  
 A1 (NC)  
 A2 (Grove)  
 A3 (Grove)  
 A4 (SDA-5V)  
 A5 (SCL-5V)

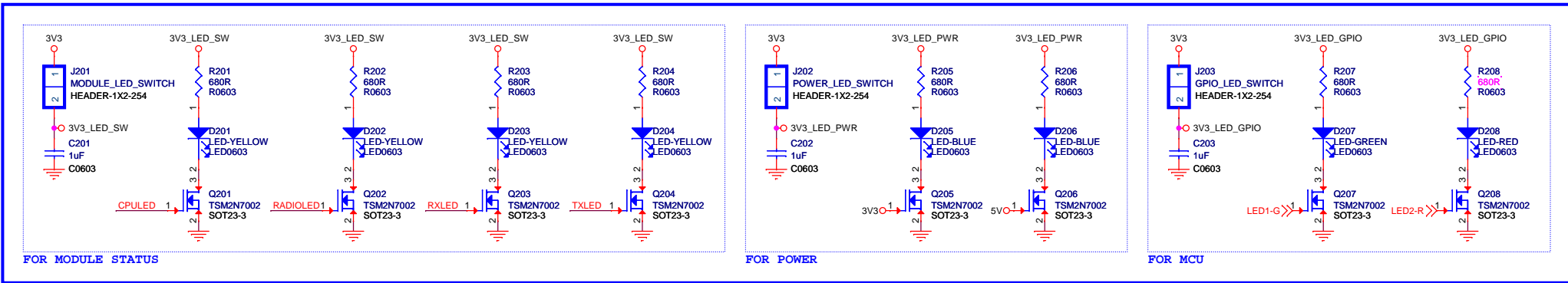
A5 (SCL-5V)  
 A4 (SDA-5V)  
 AREF (NC)  
 GND (NC)  
 D13 (NC)  
 D12 (NC)  
 D11 (NC)  
 D10 (NC)  
 D9 (LED2-RED)  
 D8 (LED1-GREEN)  
 D7 (MOD-WAKEUP)  
 D6 (BUTTON)  
 D5 (RXD-5V)  
 D4 (TXD-5V)  
 D3 (INT1)  
 D2 (INT2)  
 D1 (NC)  
 D0 (NC)



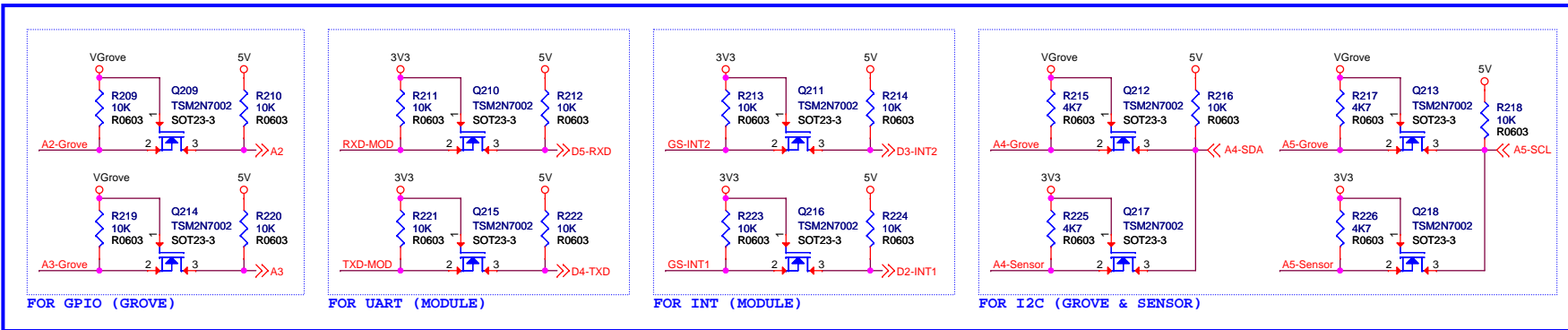
\* Expression of Pin Connection  
 Expression : Arduino Pin Definition (Connection to Unashield)  
 EX : A5(SCL-5V) => Assign A5 as the I2C-SCL with 5V DC level.



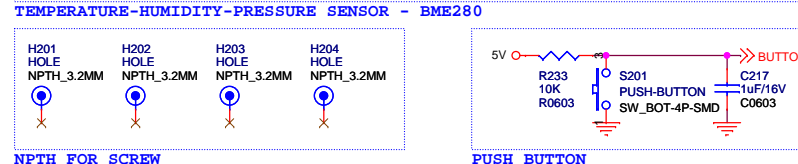
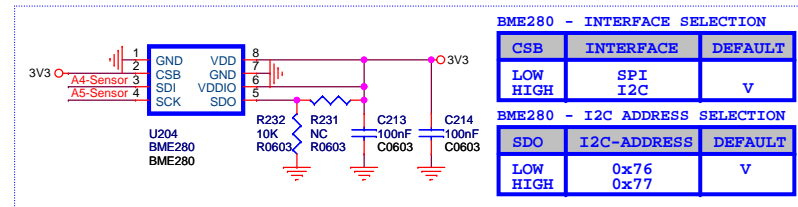
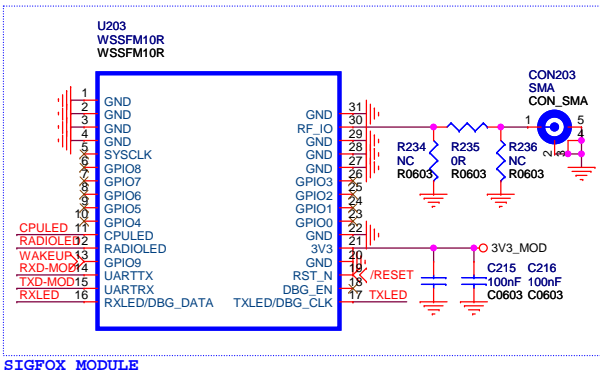
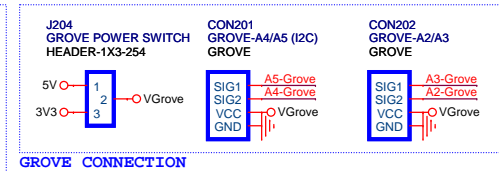
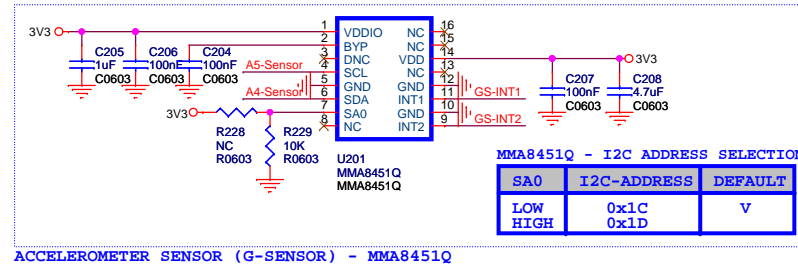
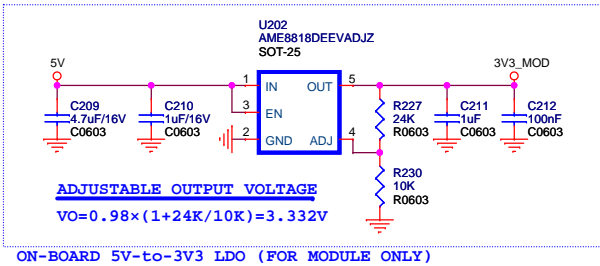
**BOARD : UnaShield\_WSSF10R**  
**VERSION : V2S**  
**DATE : 20170325**  
**PAGE : 1/2**



### LED INDICATION



### LEVEL SHIFTER



**BOARD : UnaShield\_WSSFM10R**  
**VERSION : V2S**  
**DATE : 20170325**  
**PAGE : 2/2**