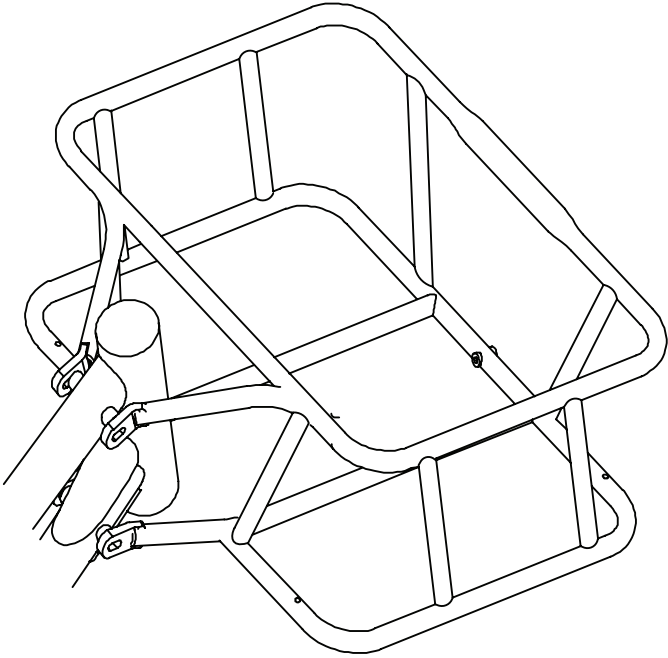


# Bread Basket Front Basket

Frame Mounted Front Basket

23 kg / 50 lbs maximum load



yuba<sup>®</sup>  
what a bicycle can do!

# Bread Basket Front Rack

Frame Mounted Front Basket  
23 kg / 50 lbs maximum load



Diagram 1

## Contents

- (1) Bread Basket Front Rack
- (2) M6 X 1mm screw
- (4) Spacers
- (2) 6mm washer
- (2) 6mm lock nut

## Compatibility

Mundo

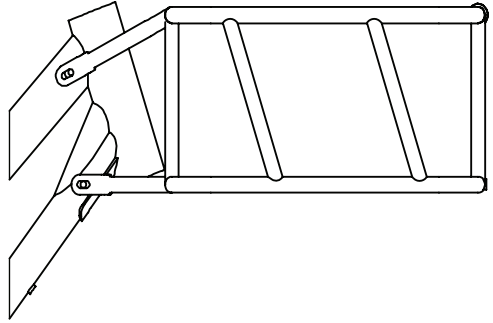
V1 V2 V3 V4<sup>†\*</sup> V5

Boda Boda

V1 V2\* V3

Spicy/Sweet Curry

All versions



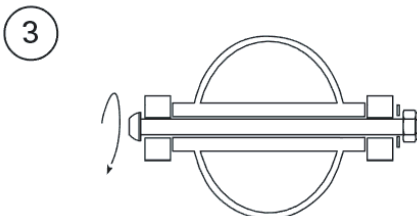
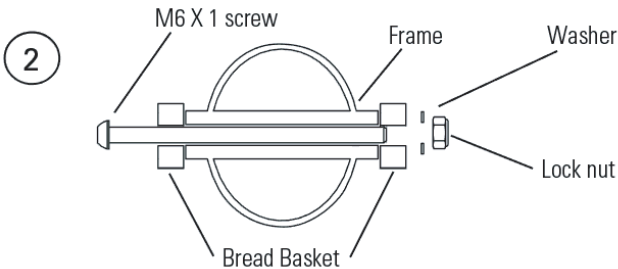
<sup>†</sup>May require frame modification; contact your local dealer or [info@yubabikes.com](mailto:info@yubabikes.com)

\*Requires spacers

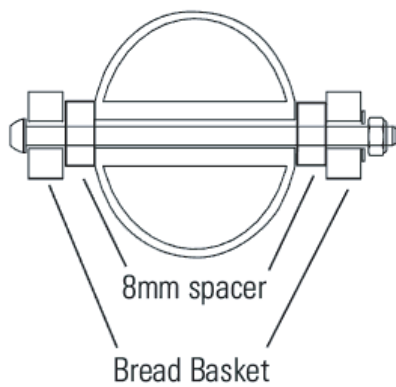
## Instructions

### **Mundo V5, Boda Boda V3, Spicy/Sweet Curry without Roots**

1. Lift basket into position as seen in Diagram 1, aligning holes of basket and frame.
2. Lightly grease the end of the bolts to prevent the nut from binding. Slide the bolts through the Bread Basket and frame holes. Slide on washers and nuts.
3. While holding nuts in place with a wrench, tighten bolts with 4mm Allen wrench



**Possible Configurations**  
***Mundo V4<sup>+</sup>\* and Boda Boda V2\* with Bread Basket***



# Bread Basket Front Rack

Frame Mounted Front Basket  
23 kg / 50 lbs maximum load



## Warnings and Safety Precautions

### *General warnings*

- **WARNING!** Failure to comply with these instructions may lead to serious injury or death.
- **WARNING!** Riding with an additional passenger may alter the riding characteristics of your bicycle, decrease stability, and increase braking distances.
- **WARNING!** Never leave a child unattended on the back of a bicycle.
- **WARNING!** Do not use with children who are too small or cannot balance/support their own weight independently.
- Do not allow passengers body, clothing, shoe laces or other personal items to come in contact with moving parts of the bicycle.
- Passenger should remain seated while bicycle is in motion.
- Ensure passenger is wearing an approved bicycle helmet.
- Never ride in inclement or hazardous situations.
- Ensure a rear reflector is installed and visible when a passenger is aboard.
- Never ride a bicycle at night without adequate lighting.
- Presence of an additional passenger may require alteration of the method used by the rider to mount or dismount the bicycle. Care must be taken whenever the rider gets on or off the bicycle.

### *Specific hardware and component warnings*

- **WARNING!** Overloading bolt may cause it to fail.
- **WARNING!** Regularly check bolts for loosening, signs of distress, and wear and tear. If bolts or threads show signs of distress, order replacement parts immediately. Do not use if parts are cracked or damaged.

For questions or support please contact your local Yuba Bicycles dealer or email [info@yubabikes.com](mailto:info@yubabikes.com).